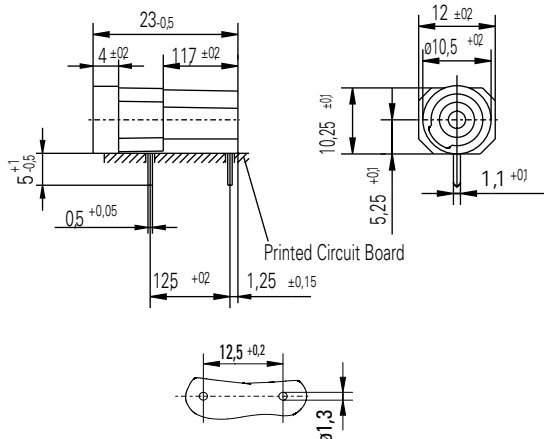


596/583 Series Circuit Board Mount Enclosed Fuse Holders for 5x20mm Fuses

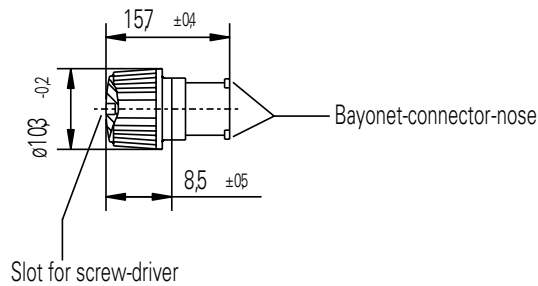


**Dimensions**

Units in Millimeters



Holes in the Printed Circuit Board



**Product Characteristics**

<b>Compatible Fuse Types</b>	<b>5x20mm</b>
<b>Materials</b>	<b>Holder:</b> Duroplastic, black
	<b>Cap:</b> Thermoplastic, UL 94 V-0, black
	<b>Metal Parts:</b> Copper alloy, corrosion protected
	<b>Terminals:</b> Solderable, tinned
<b>Electrical Data (23°C)</b>	<b>Rated Voltage:</b> 250V
	<b>Max. Current/Power:</b> 6.3 A / 2.0 W
<b>Mounting</b>	(2) Solder pins 0.5x1.1mm
<b>Protection Class &amp; Category</b>	IP 40 (IEC 60529)
<b>Operating Temperature</b>	-25 °C to 70 °C
<b>Stock Conditions</b>	10 °C to 60 °C
<b>Contact Resistance</b>	≤ 5mΩ
<b>Dielectric Strength</b>	3 kV, 50Hz, 1 min., dry
<b>Insulation Resistance</b>	> 10 MΩ (500 V DC, 1 min.)
<b>Solderability</b>	235 °C, 3 sec. (Wave) 350 °C, 1 sec. (Soldering Iron)
<b>Soldering Heat Resistance</b>	260 °C, 5 sec.
<b>Minimum Cross Section</b>	Conductor - 0.2mm <sup>2</sup>
<b>Marking</b>	596, 250 V
<b>Unit Weight</b>	2,2 g (596) / 1,7 g (583)

Note: 1.00 means the number one with two decimal places. 1,000 means the number one thousand.

**Ordering Information**

Description	Ordering Number	Packaging
Cap, 5x20 mm	58300000005	Bulk 100
596 Series Holder	59600000005	Bulk 100

**Additional Information**



Datasheet



Resources



Samples