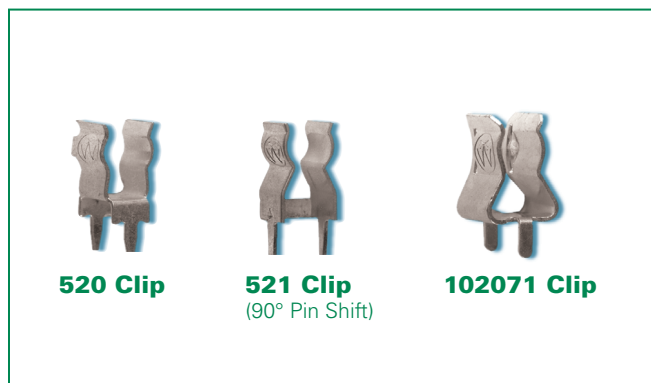
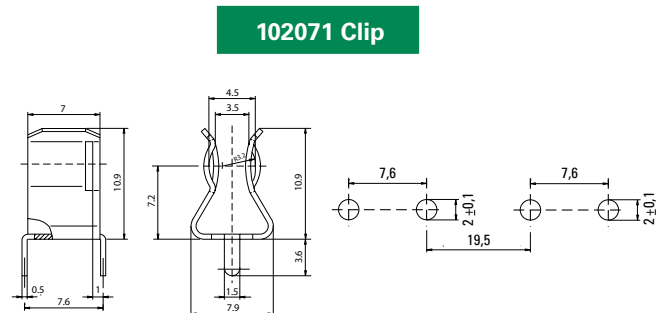
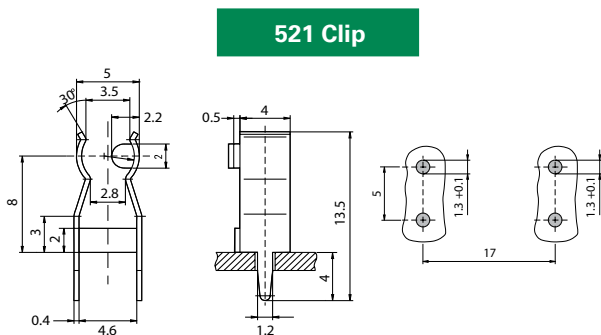
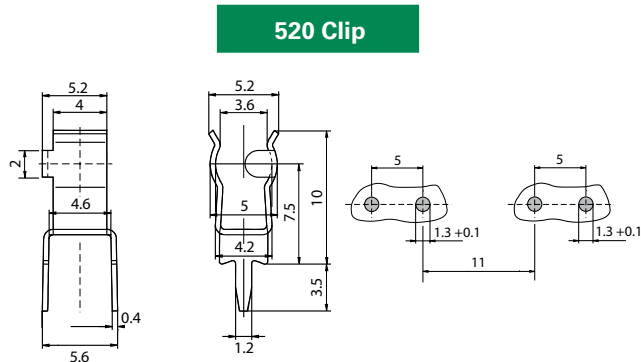


520/521/102071 Series Circuit Board Mount Fuse Clips for 5mm & 6.3mm Diameter Fuses



Product Dimensions



| Product Characteristics | | | |
|----------------------------------|--|----------|--|
| | 520 Clip | 521 Clip | 102071 Clip |
| Compatible Fuse Size | 5mm Diameter | | 6.3mm Diameter |
| Electrical Data (23°C) | Rated Voltage: 250V | | Rated Voltage: 500V |
| | Max. Current/Power: 6.3A/2.5W | | Max. Current/Power: 10A/4W |
| Mounting | PC Board, 5mm pin spacing Solder pins 0.4x1.2mm | | PC Board, 7.6 mm pin spacing Solder pins 0.5x1.5 mm |
| Solderability | 245°C maximum, 3 sec. maximum (IEC 60068-2-20) | | N/A |
| Soldering Heat Resistance | 260°C, 10 sec. (IEC 60068-2-20) | | N/A |
| Minimum Cross Section | Conducting path - 0.2mm ² | | |
| Unit Weight | 0.4g | | 0.9g |
| UL Agency Approval | N/A | N/A | N/A |

| Agency Approval | | | |
|-----------------|--------------------|----------|-------------|
| Agency | Agency File Number | | |
| | 520 Clip | 521 Clip | 102071 Clip |
| | N/A | N/A | E1472 |

| Ordering Information | | | |
|----------------------|---------------|------------|---------------------|
| Ordering PN | Clip Material | Plating | Packaging Available |
| 52000001009 | Phos Bronze | Tin plated | Bulk 2000 |
| 52100001009 | Phos Bronze | Tin plated | Bulk 2000 |
| 10207101009 | Brass | Tin plated | Bulk 1000 |

| Additional Information | | |
|-------------------------|-------------------------|-----------------------|
| | | |
| Datasheet 520 Series | Resources 520 Series | Samples 520 Series |
| | | |
| Datasheet 521 Series | Resources 521 Series | Samples 521 Series |
| | | |
| Datasheet 102071 Series | Resources 102071 Series | Samples 102071 Series |