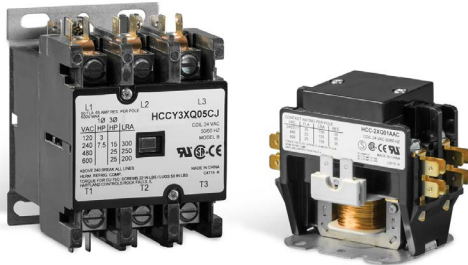


# Contactor

## HCC-850 Series

600 VAC • 20 to 40 A • 1P, 2P, 3P & 4P



### Description

The HCC-850 Series is a 1-pole, 2-pole, 3-pole, or 4-pole definite purpose contactor used to switch loads on or off on circuits from 20 amperes to 40 amperes. Littelfuse contactors are designed with consistent silver thickness for increased product life, making them ideal for the demands of a broad range of residential and commercial applications.

HCC-850 series contactors are compliant with the A2L refrigerant requirements of UL Category Control Number (CCN) LZGH2/LZGH8 for Annex JJ of UL 60335-2-40.

### Features & Benefits

FEATURES	BENEFITS
<b>Moveable contacts with heavy duty silver alloy</b>	To help extend the life of the product
<b>Termination options include combo screw, screw with pressure plate, or lug</b>	To meet a broad range of system needs
<b>Universal mounting configuration</b>	Helps streamline installation
<b>Double E magnet assembly</b>	For optimal performance with reduced power use
<b>Optional auxiliary switches available</b>	Designed for use with 3 pole and 4 pole contactors

### Applications

- HVAC/R
- Food & Beverage
- Lighting
- Welding
- Water/Wastewater

### Certification & Compliance

<b>UL 508</b>	File No. E227250
<b>UL 60335-2-40 (CCN LZGH2 / CCN LZGH8)</b>	File No. E227250 - cURus
<b>CSA</b>	File No. 221260 (1456104)
<b>CE</b>	EN 60947-4-1

# Contactor

## HCC-850 Series

### Specifications

<b>Initial Dielectric Strength</b>	Between Contacts & Coils: 2,200 VAC; Between Poles: 2,200 VAC (includes shunt); Between Open Contacts: 2,200 VAC (no shunt)
<b>Arc Cover</b>	Standard on 20–40 FLA
<b>Insulation System</b>	130 °C Class B
<b>Unit Weight</b>	1 Pole: 8.0 oz; 2 Pole: 9.6 oz; 3 Pole: 16.0 oz; 4 Pole: 20.0 oz
<b>Power Pole Terminations</b>	#10–32 screw or box lug;
<b>Wire Size</b>	#10–32 screw 16–8 (#8 must use ring terminal); Box lug: 14-4
<b>Recommended Tightening Torque</b>	#10–32 screw: 22 in. - lbs; Box lug: 40 in. - lbs;
<b>Coil Terminal Connections</b>	Coil terminals: dual 0.250" quick connects
<b>Power Terminal Connections</b>	Dual or Quad 0.250" quick connects
<b>Operating Temperature</b>	-40 °C to 65 °C; -40 °F to 150 °F
<b>Mounting Method</b>	Chassis Mount

### Coil Technical Data – 1 Pole 20 – 40 A

NOMINAL COIL VOLTAGE (VAC)	MINIMUM PICKUP VOLTAGE (VAC)	DROP-OUT VOLTAGE (VAC)	NOMINAL INRUSH (VA)		NOMINAL SEALED (VA)		NOMINAL COIL RESISTANCE (OHM)	MAXIMUM COIL VOLTAGE (VAC)
			50 HZ	60 HZ	50 HZ	60 HZ		
24	18	6-15	31	28	6	5	18	30
120	88	20-70	31	28	6	5	420	132
208/240	177	40-140	31	28	6	5	1800	264
277	221	50-165	31	28	6	5	2500	300
480	384	150-270	31	28	6	5	3050	528

### Coil Technical Data – 2 Pole 20 – 40 A

NOMINAL COIL VOLTAGE (VAC)	MINIMUM PICKUP VOLTAGE (VAC)	DROP-OUT VOLTAGE (VAC)	NOMINAL INRUSH (VA)		NOMINAL SEALED (VA)		NOMINAL COIL RESISTANCE (OHM)	MAXIMUM COIL VOLTAGE (VAC)
			50 HZ	60 HZ	50 HZ	60 HZ		
24	18	6-15	33	30	8	6.5	11	30
120	88	20-70	33	30	8	6.5	237	132
208/240	177	40-140	33	30	8	6.5	1000	264
277	221	50-165	33	30	8	6.5	1600	300
480	384	150-270	33	30	8	6.5	3050	528

### Coil Technical Data – 3 Pole 20 – 40 A

NOMINAL COIL VOLTAGE (VAC)	MINIMUM PICKUP VOLTAGE (VAC)	DROP-OUT VOLTAGE (VAC)	NOMINAL INRUSH (VA)		NOMINAL SEALED (VA)		NOMINAL COIL RESISTANCE (OHM)	MAXIMUM COIL VOLTAGE (VAC)
			50 HZ	60 HZ	50 HZ	60 HZ		
24	18	6-15	65	60	7.5	6	7	30
120	88	20-70	65	60	7.5	6	180	132
208/240	177	40-140	65	60	7.5	6	720	264
277	221	50-165	65	60	7.5	6	900	300
480	384	150-270	59	57	9	7	3100	520

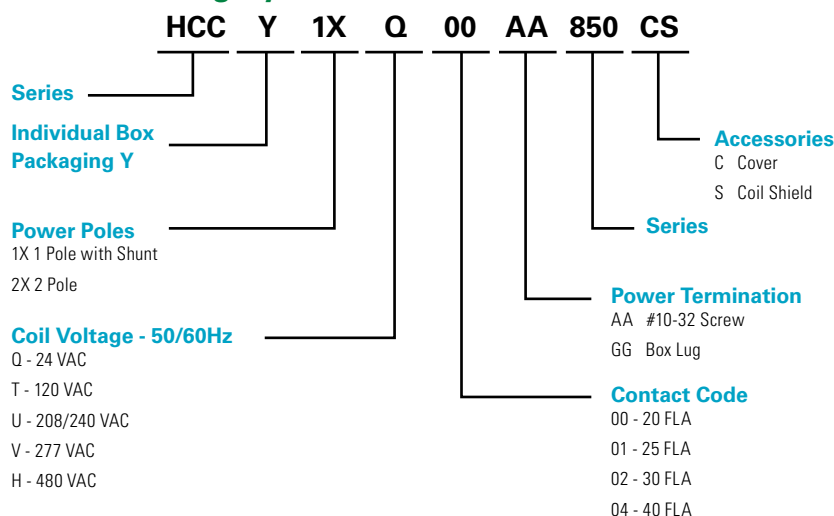
# Contactor

## HCC-850 Series

### Coil Technical Data – 4 Pole 20 – 40 A

NOMINAL COIL VOLTAGE (VAC)	MINIMUM PICKUP VOLTAGE (VAC)	DROP-OUT VOLTAGE (VAC)	NOMINAL INRUSH (VA)		NOMINAL SEALED (VA)		NOMINAL COIL RESISTANCE (OHM)	MAXIMUM COIL VOLTAGE (VAC)
			50 HZ	60 HZ	50 HZ	60 HZ		
24	18	6-15	62	59	9	7	6	30
120	88	20-70	62	59	9	7	150	132
208/240	177	40-140	62	59	9	7	600	264
277	221	50-165	62	59	9	7	750	300
480	408	96-290	89	87	14	10	1960	520

### Part Numbering System - 1 Pole & 2 Pole Contactors



Note: Not all combinations of Part Number suffixes are listed. Contact Littelfuse for details.

### Ordering Information – 1 Pole & 2 Pole Contactors

1 POLE CONTACTOR							
FULL LOAD AMPS – INDUCTIVE AT 600 VAC	NUMBER OF POLES	FULL LOAD CURRENT – RESISTIVE AT 600 VAC	LOCKED ROTOR CURRENT			CATALOG NO.	ORDERING NO.
			240/277 VAC	480 VAC	600 VAC		
30A	1	40A	180A	150A	120A	CON-1/*/30	HCCY1X*02AA850CS
30A	1	40A	180A	150A	120A	CON-1/*/30L	HCCY1X*02GG850CS
40A	1	50A	240A	200A	160A	CON-1/*/40	HCCY1X*04GG850CS

To select other coil voltages, use the Coil Voltage Selection Chart to find the appropriate coil voltage. Replace the \* above with the required coil voltage. For example, for a 208/240 V AC coil in a single-pole 30 A contactor, the Catalog Number would be CON-1/240/30 and Ordering Number would be HCCY1XU02AA850.

2 POLE CONTACTOR							
FULL LOAD AMPS – INDUCTIVE AT 600 VAC	NUMBER OF POLES	FULL LOAD CURRENT – RESISTIVE AT 600 VAC	LOCKED ROTOR CURRENT			CATALOG NO.	ORDERING NO.
			240/277 VAC	480 VAC	600 VAC		
30A	2	40A	180A	150A	120A	CON-2/*/30	HCCY2X*02AA850CS
30A	2	40A	180A	150A	120A	CON-2/*/30L	HCCY2X*02GG850CS
40A	2	50A	240A	200A	160A	CON-2/*/40	HCCY2X*04GG850CS

To select other coil voltages, use the Coil Voltage Selection Chart to find the appropriate coil voltage. Replace the \* above with the required coil voltage. For example, for a 208/240 V AC coil in a two-pole 30 A contactor, the Catalog Number would be CON-2/240/30 and Ordering Number would be HCCY2XU02AA850.

The Catalog Number serves solely as an identifier. When placing an order, please use ordering number.

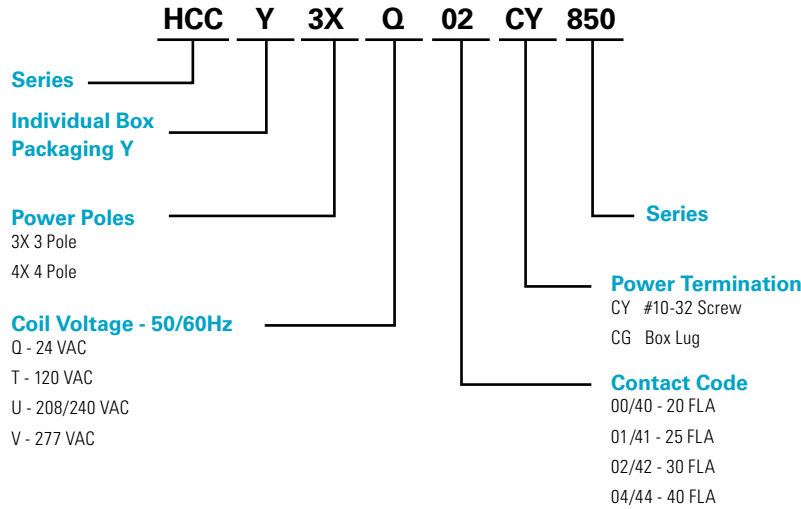
# Contactors

## HCC-850 Series

### Coil Voltage Selection Chart

	24 VAC	120 VAC	208/240 VAC	277 VAC	480 VAC
CATALOG NO. VOLTAGE SUFFIX #	24	120	240	277	480
ORDERING NO. SUFFIX	Q	T	U	V	H

### Part Numbering System – 3 Pole & 4 Pole Contactors



Note: Not all combinations of Part Number suffixes are listed. Contact Littelfuse for details.

### Ordering Information – 3 Pole & 4 Pole Contactors

3 POLE CONTACTOR							
FULL LOAD AMPS – INDUCTIVE AT 600 VAC	NUMBER OF POLES	FULL LOAD CURRENT – RESISTIVE AT 600 VAC	LOCKED ROTOR CURRENT			CATALOG NO.	ORDERING NO.
			120/240 VAC	480 VAC	600 VAC		
30A	3	40A	180A	150A	120A	CON-3/*/30	HCCY3X*02CY850
30A	3	40A	180A	150A	120A	CON-3/*/30L	HCCY3X*02CG850
40A	3	50A	240A	200A	160A	CON-3/*/40	HCCY3X*04CG850

To select other coil voltages, use the Coil Voltage Selection Chart to find the appropriate coil voltage. Replace the \* above with the required coil voltage. For example, for a 208/240 V AC coil in a single-pole 30 A contactor, the Catalog Number would be CON-½40/30 and Ordering Number would be HCCY1XU02AA850.

4 POLE CONTACTOR							
FULL LOAD AMPS – INDUCTIVE AT 600 VAC	NUMBER OF POLES	FULL LOAD CURRENT – RESISTIVE AT 600 VAC	LOCKED ROTOR CURRENT			CATALOG NO.	ORDERING NO.
			120/240 VAC	480 VAC	600 VAC		
30A	4	40A	180A	150A	120A	CON-4/*/30	HCCY4X*02CY850
40A	4	50A	240A	200A	160A	CON-4/*/40	HCCY4X*04CG850

To select other coil voltages, use the Coil Voltage Selection Chart to find the appropriate coil voltage. Replace the \* above with the required coil voltage. For example, for a 208/240 V AC coil in a two-pole 30 A contactor, the Catalog Number would be CON-2/240/30 and Ordering Number would be HCCY2XU02AA850.

The Catalog Number serves solely as an identifier. When placing an order, please use ordering number.

### Coil Voltage Selection Chart

	24 VAC	120 VAC	208/240 VAC	277 VAC	480 VAC
CATALOG NO. VOLTAGE SUFFIX #	24	120	240	277	480
ORDERING NO. SUFFIX	Q	T	U	V	H

### Standard Fault Short Circuit Rating – 1 Pole, 2 Pole, 3 Pole & 4 Pole

Suitable for use on a circuit capable of delivering not more than 5k rms symmetrical amperes, 600 Volts maximum at 400% of fuse and circuit breaker.

### High Fault Short Circuit Rating – 1 Pole & 2 Pole

Suitable for use on a circuit capable of delivering not more than 100k rms symmetrical amperes as shown.

CONTACT CODE	MAXIMUM CIRCUIT BREAKER		ANY LISTED FUSE (EXCEPT AS NOTED)	
	480 VOLTS MAXIMUM	MINIMUM ENCLOSURE VOLUME	600 VOLTS MAXIMUM	MINIMUM ENCLOSURE VOLUME
00, 40	80 A	144 cu. in.	60 A	96 cu. in. (1 & 2 Pole)
01, 41	80 A	144 cu. in.	60 A	
02, 42	80 A	144 cu. in.	60 A	
04, 44	100 A	144 cu. in.	100 A max. Class J Fuse (1 & 2 Pole)	

Note: for a circuit capable of delivering more than 5k rms symmetrical amperes, the equipment enclosure must have a minimum of four fastening points or a piano hinge and two fastening points.

### High Fault Short Circuit Rating – 3 Pole & 4 Pole

Suitable for use on a circuit capable of delivering not more than 100k rms symmetrical amperes as shown.

CONTACT CODE	MAXIMUM CIRCUIT BREAKER		ANY LISTED FUSE (EXCEPT AS NOTED)	
	480 VOLTS MAXIMUM	MINIMUM ENCLOSURE VOLUME	600 VOLTS MAXIMUM	MINIMUM ENCLOSURE VOLUME
00, 40	80 A	144 cu. in.	60 A	144 cu. in. (3 & 4 Pole)
01, 41	80 A	144 cu. in.	60 A	
02, 42	80 A	144 cu. in.	60 A	
04, 44	100 A	144 cu. in.	100 A max.	

Note: for a circuit capable of delivering more than 5k rms symmetrical amperes, the equipment enclosure must have a minimum of four fastening points or a piano hinge and two fastening points.

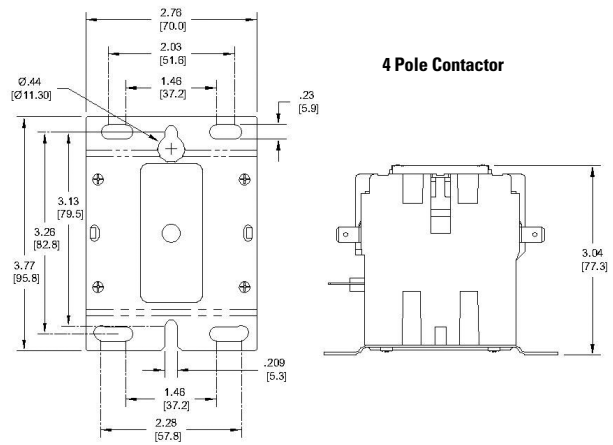
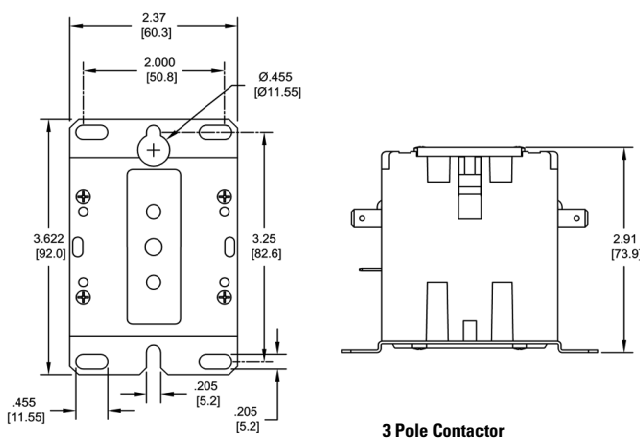
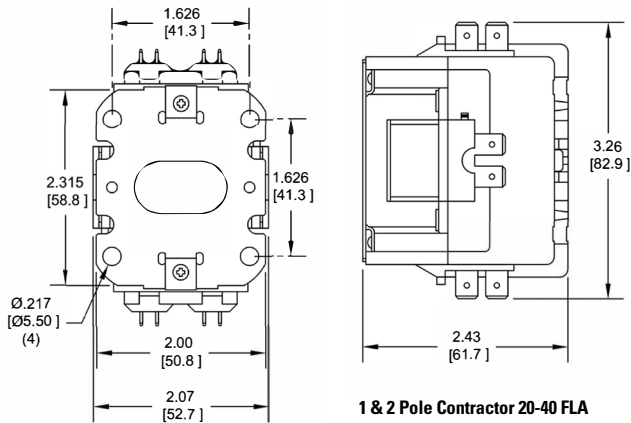
# Contactor

## HCC-850 Series

### Horsepower Rating

FULL LOAD AMPS	120 VAC		240 VAC		480 VAC		600 VAC	
	SINGLE PHASE	THREE PHASE	SINGLE PHASE	THREE PHASE	SINGLE PHASE	THREE PHASE	SINGLE PHASE	THREE PHASE
<b>3 POLE CONTACTORS</b>								
20	1.5 HP	-	3 HP	7.5 HP	-	7.5 HP	-	7.5 HP
25	2 HP	-	5 HP	7.5 HP	-	15 HP	-	20 HP
30	2 HP	-	5 HP	10 HP	-	15 HP	-	20 HP
40	3 HP	-	7.5 HP	10 HP	-	20 HP	-	25 HP
<b>4 POLE CONTACTORS</b>								
20	1.5 HP	-	3 HP	7.5 HP	-	7.5 HP	-	7.5 HP
25	2 HP	-	5 HP	7.5 HP	-	15 HP	-	20 HP
30	2 HP	-	5 HP	10 HP	-	15 HP	-	20 HP
40	3 HP	-	7.5 HP	10 HP	-	20 HP	-	25 HP

### Dimensions inches (mm)



**Disclaimer Notice** – Information furnished is believed to be accurate and reliable. However, users should independently evaluate the suitability of and test each product selected for their own applications. Littelfuse products are not designed for, and may not be used in, all applications. Read complete Disclaimer Notice at [www.littelfuse.com/product-disclaimer](http://www.littelfuse.com/product-disclaimer).