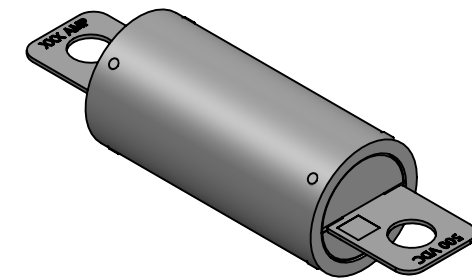
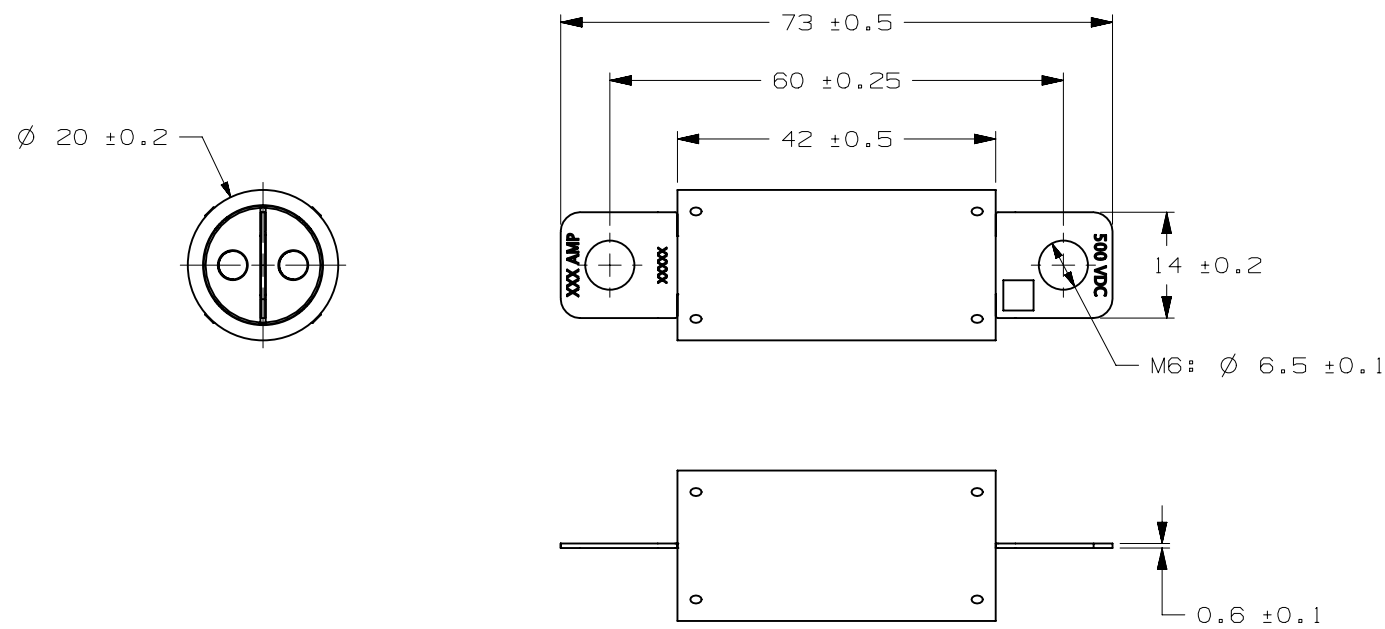


CURRENT RATING [A]	VERSIONS AND PART NUMBERS
	M6 BOLD DOWN
60	20EV060.ZXBDMC
70	20EV070.ZXBDMC
80	20EV080.ZXBDMC
100	20EV100.ZXBDMC
125	20EV125.ZXBDMC

LTR	DATE	REVISION	DRW
A	12/JUL/23	526634GCA - INITIAL RELEASE	OPL



ISOMETRIC VIEW



HV 20EV 500V						
TERMINAL MATERIAL:	COPPER ALLOY					
END BELLS:	ZINC ALLOY					
HOUSING MATERIAL:	BODY: MELAMINE (U.L. 94 FLAMMABILITY RATING - VO)					
LINEAR DIMENSIONS					ANGLES	RADII
DIM	.5 - 6	6 - 30	30 - 120	120 - 400	$\pm 0.5^\circ$	± 0.2
TOL	± 0.1	± 0.2	± 0.3	± 0.5		
3RD ANGLE PROJECTION			Littelfuse	REVISION	DRWG. NO.	
			CHICAGO, USA 773-628-1000	A	WEB-20EV000.ZXBDMC	