

# SMCLCE-HR Series

## 1500 W Low Capacitance Surface Mount in DO-214AB



### Agency Approvals

Agency	Agency File Number
	E230531

### Maximum Ratings & Thermal Characteristics (T<sub>A</sub> = 25 °C unless otherwise noted)

Parameter	Symbol	Value	Unit
Peak Pulse Power Dissipation by 10/1000 $\mu$ s Waveform (Fig.1)(Note 1)	P <sub>PPM</sub>	1500	W
Power Dissipation on Infinite Heat Sink at T <sub>L</sub> = 50 °C	P <sub>D</sub>	6.5	W
Operating Temperature Range	T <sub>J</sub>	-65 to 150	°C
Storage Temperature Range	T <sub>STG</sub>	-65 to 175	°C

**Notes:**

1. Non-repetitive current pulse, per Fig. 3 and derated above T<sub>J</sub> (initial) = 25 °C per Fig. 2.

## Description

SMCLCE-HR high reliability series is designed specifically to protect sensitive data line electronic equipment from voltage transients induced by lightning and other transient voltage events.

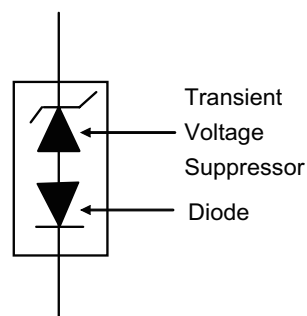
## Features

- Low capacitance  $\leq 50$  pF, 1500 W peak pulse power capability at 10/1000  $\mu$ s waveform, repetition rate (duty cycles):0.01 %
- For surface mounted applications in order to optimize board space
- Low profile package
- Built-in strain relief
- Typical failure mode is short from over-specified voltage or current
- Whisker test is conducted based on JEDEC JESD201A per its table 4a and 4c
- ESD protection of data lines in accordance with IEC 61000-4-2 ESD 30 kV (Air), 30 kV (Contact)
- EFT protection of data lines in accordance with IEC 61000-4-4
- Glass passivated chip junction
- Low incremental surge resistance
- Fast response and excellent clamping capability
- UL recognized compound meeting flammability rating V-0
- Meet MSL level1, per J-STD-020, high temperature soldering guaranteed:260 °C/10 seconds at terminals
- Matte tin lead-free plated
- Halogen free and RoHS compliant
- Pb-free E3 means 2<sup>nd</sup> level interconnect is Pb-free and the terminal finish material is tin(Sn) (IPC/JEDEC J-STD-609A.01)

## Applications

- I/O Interfaces for avionics applications, such as flight control, FADEC, radar, and etc.
- Protection for aircraft fast data line


### Schematic



# SMCLCE-HR Series

## 1500 W Low Capacitance Surface Mount in DO-214AB

### Electrical Characteristics

Part Number (Uni)	Marking Code	Stand-Off Voltage $V_R$ (V)	Minimum Breakdown Voltage $V_{BR}(V)$ @ $I_T$		Test Current $I_T$ (mA)	Maximum Reverse Leakage at $I_R$ @ $V_R$ ( $\mu$ A)	Maximum Clamping Voltage @ $I_{PP}$ $V_C$ (V)	Maximum Peak Pulse Current per (Fig.3) $I_{PP}$ (A)	Maximum Junction Capacitance at 0 Volts $f = 1$ MHz (pF)	Working Inverse Blocking Voltage $V_{WIB}$ (V)	Inverse Blocking Leakage Current at $I_{IB}$ @ $V_{WIB}$ (mA)	Peak Inverse Blocking Voltage $V_{PIB}$ (V)	Agency Approval 
			Min	Max									
SMCLCE12-HR	SGEE	12	13.3	14.7	1	5	20.9	75.4	50	75	1.0	100	X
SMCLCE13-HR	SGEG	13	14.4	15.9	1	3	22.5	69.8	50	75	1.0	100	X
SMCLCE14-HR	SGEK	14	15.6	17.2	1	3	24.2	64.7	50	75	1.0	100	X
SMCLCE15-HR	SGEM	15	16.7	18.5	1	0.96	25.4	61.5	50	75	1.0	100	X
SMCLCE16-HR	SGEP	16	17.8	19.7	1	0.96	27.0	57.7	50	75	1.0	100	X
SMCLCE17-HR	SGER	17	18.9	20.9	1	0.96	28.6	54.4	50	75	1.0	100	X
SMCLCE18-HR	SGET	18	20.0	22.1	1	0.96	30.2	51.4	50	75	1.0	100	X
SMCLCE20-HR	SGEV	20	22.2	24.5	1	0.96	33.4	46.3	50	75	1.0	100	X
SMCLCE22-HR	SGEX	22	24.4	26.9	1	0.96	36.5	42.3	50	75	1.0	100	X
SMCLCE24-HR	SGEZ	24	26.7	29.5	1	0.96	39.9	38.6	50	75	1.0	100	X
SMCLCE26-HR	SGFE	26	28.9	31.9	1	0.96	43.1	35.7	50	75	1.0	100	X
SMCLCE28-HR	SGFG	28	31.1	34.4	1	0.96	46.5	33.1	50	75	1.0	100	X
SMCLCE30-HR	SGFK	30	33.3	36.8	1	0.96	49.4	31.0	50	75	1.0	100	X
SMCLCE33-HR	SGFM	33	36.7	40.6	1	0.96	53.3	28.2	50	75	1.0	100	X
SMCLCE36-HR	SGFP	36	40.0	44.2	1	0.96	58.1	25.9	50	75	1.0	100	X
SMCLCE40-HR	SGFR	40	44.4	49.1	1	0.96	64.5	23.3	50	75	1.0	100	X
SMCLCE43-HR	SGFT	43	47.8	52.8	1	0.96	69.4	21.7	50	75	1.0	100	X
SMCLCE45-HR	SGFV	45	50.0	55.3	1	0.96	72.7	20.6	50	75	1.0	100	X
SMCLCE48-HR	SGFX	48	53.3	58.9	1	0.96	77.4	19.4	50	75	1.0	100	X
SMCLCE51-HR	SGFZ	51	56.7	62.7	1	0.96	82.4	18.2	50	75	1.0	100	X
SMCLCE54-HR	SGGE	54	60.0	66.3	1	0.96	87.1	17.3	50	100	1.0	125	X
SMCLCE58-HR	SGGG	58	64.4	71.2	1	0.96	93.6	16.1	50	100	1.0	125	X
SMCLCE60-HR	SGGK	60	66.7	73.7	1	0.96	96.8	15.5	50	100	1.0	125	X
SMCLCE64-HR	SGGM	64	71.1	78.6	1	0.96	103.0	14.6	50	100	1.0	125	X
SMCLCE70-HR	SGGP	70	77.8	86.0	1	0.96	113.0	13.3	50	125	1.0	150	X

Note: Each lot of parts will pass group B test requirement.

### Screen Process

100 % vision inspection	MIL-STD-750 method 2074
100 % X-RAY inspection	MIL-STD-750 method 2076
100 % temperature cycle test (-55 °C to 150 °C, 20 cycles, dwell time 15 min)	MIL-STD-750 method 1051
100 % reflow (2x)	JEDEC J-STD-020
100 % surge test (2x)	MIL-STD-750 method 4066
100 % HTRB 150 °C bias = $V_R$ (80 % breakdown voltage, 96 hrs)	MIL-STD-750 method 1038
Final electrical test (100 % 3 sigma limit, 100 % dynamic test and PAT limit)	MIL-STD-750 method 4016.4021.4011

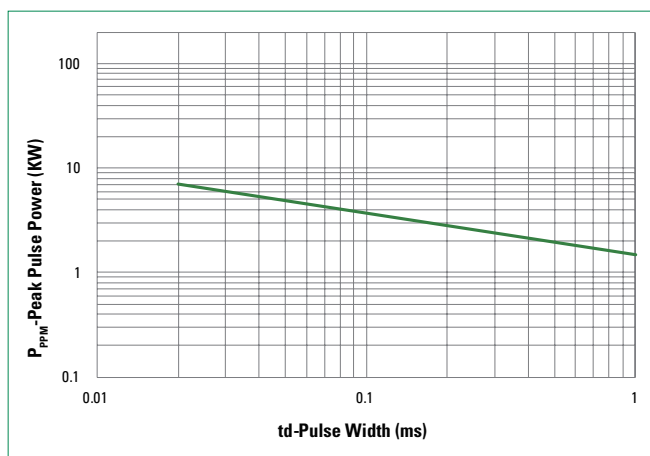
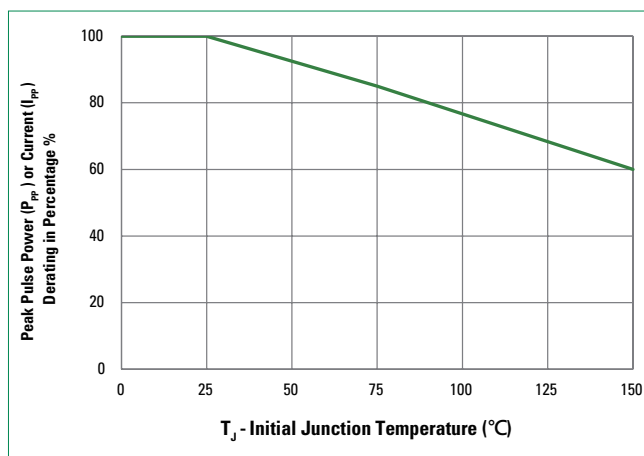
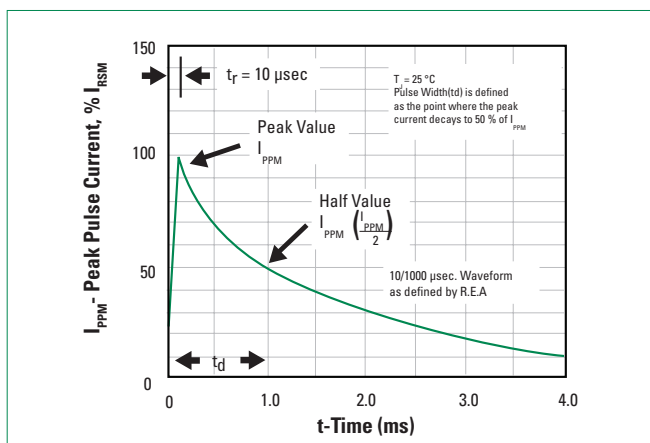
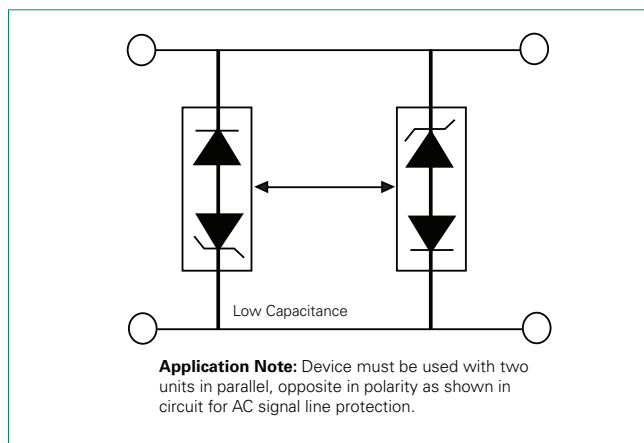
Note: Up-screen program can be specified by customer's request by contacting Littelfuse customer service

**SMCLCE-HR Series**

1500 W Low Capacitance Surface Mount in DO-214AB

**Group B Test Requirement**

Screen	Method	Condition	Requirement
Surge test	10/1000 $\mu$ s peak pulse waveform	Maximum clamping voltage ( $V_C$ ) @ peak pulse current ( $I_{PP}$ )	Sample size 45 perform 10x Accept 0 failures
Burn-in (HTRB)	MIL-STD-750, method 1038.5	Applied voltage 100 % $V_R$ @150 °C	Sample size 45 340 hours Accept 0 failures
Electrical test	--	$I_R$ @ $V_R$ , $V_{(BR)}$ @ $I_T$	Sample size 45 Accept 0 failures

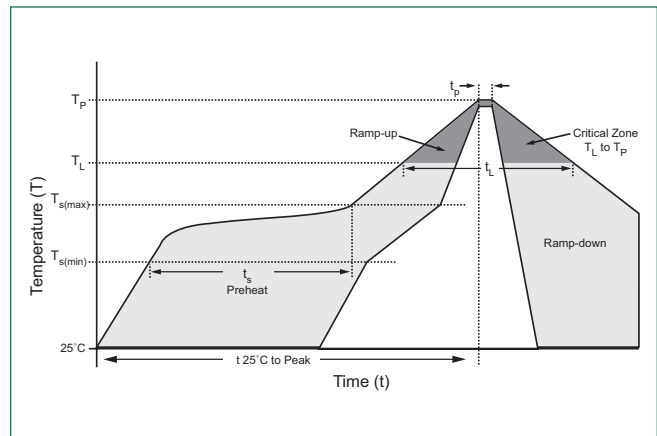
**Ratings and Characteristic Curves ( $T_A = 25\text{ }^\circ\text{C}$  unless otherwise noted)****Figure 1 - Peak Pulse Power Rating Curve****Figure 2 - Peak Pulse Power Derating Curve****Figure 3 - Pulse Waveform****Figure 4 - AC Line Protection Application**

# SMCLCE-HR Series

## 1500 W Low Capacitance Surface Mount in DO-214AB

### Soldering Parameters

<b>Reflow Condition</b>		Lead-free assembly
<b>Pre Heat</b>	- Temperature Min ( $T_{s(min)}$ )	150 °C
	- Temperature Max ( $T_{s(max)}$ )	200 °C
	- Time (min to max) ( $t_s$ )	60 – 180 seconds
<b>Average Ramp Up Rate (Liquidus Temp (<math>T_L</math>) to Peak)</b>		3 °C/second max
<b><math>T_{s(max)}</math> to <math>T_L</math> - Ramp-up Rate</b>		3 °C/second max
<b>Reflow</b>	- Temperature ( $T_L$ ) (Liquidus)	217 °C
	- Time (min to max) ( $t_s$ )	60 – 150 seconds
<b>Peak Temperature (<math>T_p</math>)</b>		260 <sup>+0/-5</sup> °C
<b>Time Within 5 °C of Actual Peak Temperature (<math>t_p</math>)</b>		20 – 40 seconds
<b>Ramp-down Rate</b>		6 °C/second max
<b>Time 25 °C to Peak Temperature (<math>T_p</math>)</b>		8 minutes max
<b>Do Not Exceed</b>		260 °C



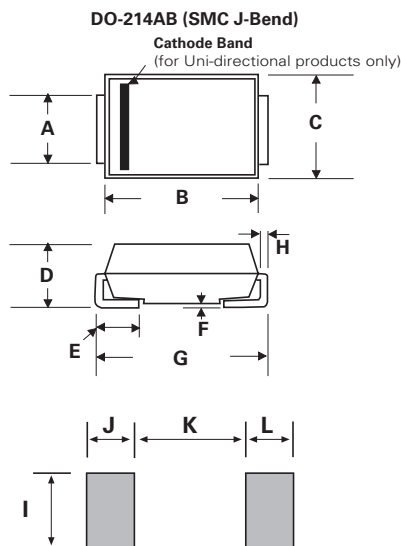
### Physical Specifications

<b>Weight</b>	0.003oz., 0.093g
<b>Case</b>	JEDEC DO-214AB molded plastic body over glass passivated junction.
<b>Polarity</b>	Color band denotes cathode except bidirectional
<b>Terminal</b>	Matte Tin-plated leads. Solderable per JESD22-B102

### Environmental Specifications

<b>High Temperature Storage</b>	JESD22-A103
<b>HTRB</b>	JESD22-A108
<b>Temperature Cycling</b>	JESD22-A104
<b>MSL</b>	JEDEC-J-STD-020, Level 1
<b>H3TRB</b>	JESD22-A101
<b>RSH</b>	JESD22-A111

### Dimensions



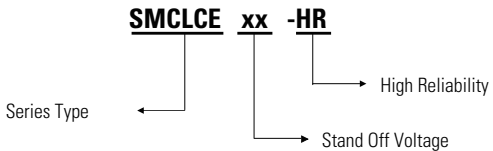
Recommended Soldering Pad Layout

Dimensions	Inches		Millimeters	
	Min	Max	Min	Max
A	0.114	0.126	2.900	3.200
B	0.260	0.280	6.600	7.110
C	0.220	0.245	5.590	6.220
D	0.079	0.103	2.060	2.620
E	0.030	0.060	0.760	1.520
F	-	0.008	-	0.203
G	0.305	0.320	7.750	8.130
H	0.006	0.012	0.152	0.305
I	0.129	-	3.300	-
J	0.094	-	2.400	-
K	-	0.165	-	4.200
L	0.094	-	2.400	-

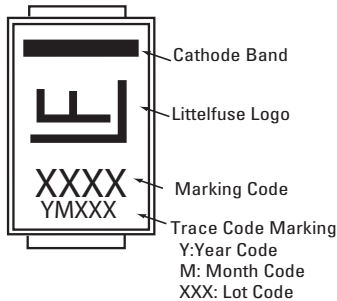
# SMCLCE-HR Series

1500 W Low Capacitance Surface Mount in DO-214AB

### Part Numbering System



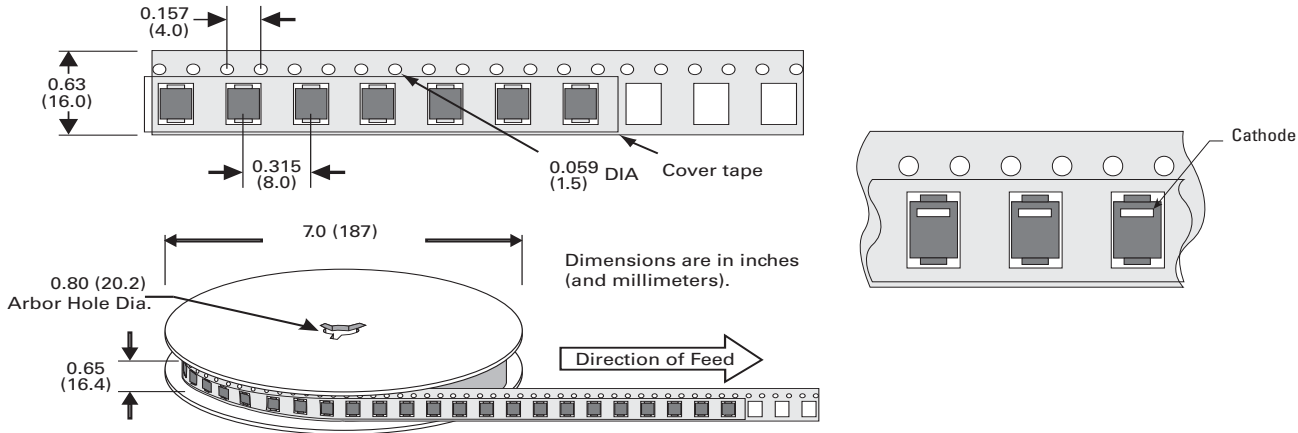
### Part Marking System



### Packaging

Part number	Component Package	Quantity	Packaging Option	Packaging Specification
SMCLCExx-HR	DO-214AB	500	Tape & Reel - 16 mm tape/7" reel	EIA STD RS-481

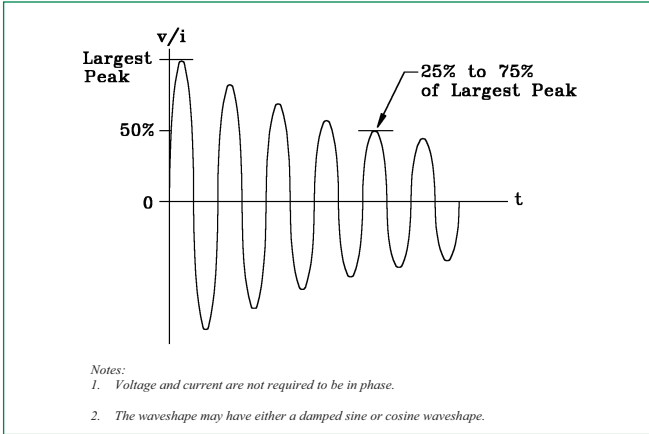
### Tape and Reel Specification



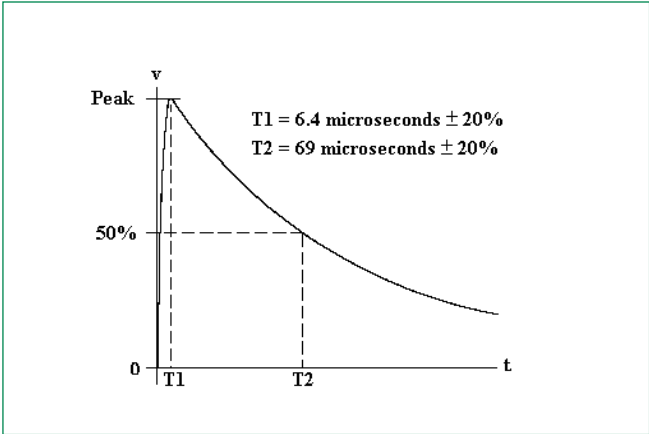
# SMCLCE-HR Series

1500 W Low Capacitance Surface Mount in DO-214AB

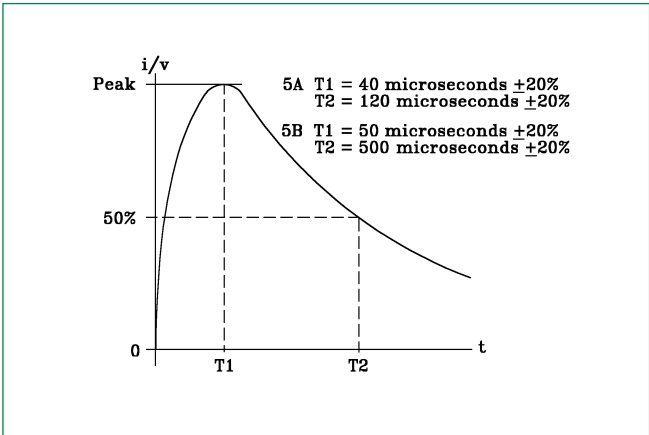
RTCA/DO-160G Wave 3



RTCA/DO-160G Wave 4



RTCA/DO-160G Wave 5



Pin Injection Protection Per RTCA/DO-160G

Part Number	25 °C						70 °C						120 °C											
	Wave 3		Wave 4 (6.4/69 μs)				Wave 5a (40/120 μs)		Wave 3		Wave 4 (6.4/69 μs)				Wave 5a (40/120 μs)		Wave 3		Wave 4 (6.4/69 μs)				Wave 5a (40/120 μs)	
	L5	L3	L4	L5	L3	L4	L5	L3	L4	L5	L3	L4	L5	L3	L4	L5	L3	L4	L5	L3	L4	L5	L3	L4
SMCLCE12-HR	pass	pass	pass	pass	pass	pass	-	pass	pass	pass	pass	pass	pass	-	pass	pass	pass	pass	pass	-	-	-	-	-
SMCLCE13-HR	pass	pass	pass	pass	pass	pass	-	pass	pass	pass	pass	pass	pass	-	pass	pass	pass	pass	pass	-	-	-	-	-
SMCLCE28-HR	pass	pass	pass	-	-	-	pass	pass	pass	-	-	-	pass	pass	pass	-	-	-	-	-	-	-	-	-

Note:  
 1. L1 = Level 1, L2 = Level 2, L3 = Level 3, L4 = Level 4, L5 = Level 5

Disclaimer Notice - Information furnished is believed to be accurate and reliable. However, users should independently evaluate the suitability of and test each product selected for their own applications. Littelfuse products are not designed for, and may not be used in, all applications. Read complete Disclaimer Notice at <http://www.littelfuse.com/disclaimer-electronics>.

