

TSD2 SERIES

Interval Timer



Description

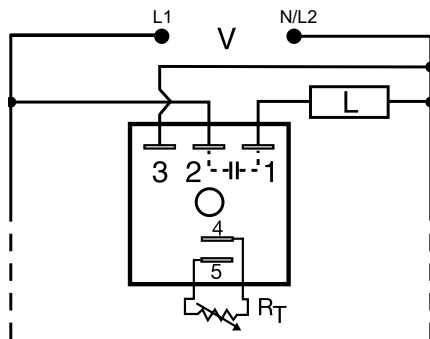
The TSD2 Series is designed for more demanding commercial and industrial applications where small size and accurate performance are required. The factory calibration for fixed time delays is within 1% of the target time delay. The repeat accuracy, under stable conditions, is 0.1% of the time delay. The TSD Series is rated to operate over an extended temperature range. Time delays of 0.1 seconds to 100 hours are available. The output is rated 1A steady and 10A inrush. The modules are totally solid state and encapsulated to protect the electronic circuitry.

Operation (Interval)

Upon application of input voltage, the time delay begins. The output is energized during the time delay. At the end of the time delay, the output de-energizes and remains de-energized until input voltage is removed.

Reset: Removing input voltage resets the time delay and output.

Wiring Diagram



R_T is used when external adjustment is ordered.

Features & Benefits

| FEATURES | BENEFITS |
|---|--|
| Microcontroller based | Repeat Accuracy +/- 0.1%, +/- 1% time delay accuracy |
| Extended temperature range | Rated to 75°C operating temperature to withstand high heat applications. |
| Compact, low cost design | Allows flexibility for OEM applications |
| 1A Steady solid-state output, 10A inrush | Provides 100 million operations in typical conditions. |
| Totally solid state and encapsulated | No moving parts to arc and wear out over time and encapsulated to protect against shock, vibration, and humidity |

Accessories



P1004-95, P1004-95-X Versa-Pot

Panel mountable, industrial potentiometer recommended for remote time delay adjustment.



P1023-6 Mounting bracket

The 90° orientation of mounting slots makes installation/removal of modules quick and easy.



P0700-7 Versa-Knob

Designed for 0.25 in. (6.35 mm) shaft of Versa-Pot. Semi-gloss industrial black finish.



P1015-64 (AWG 14/16) Female Quick Connect

These 0.25 in. (6.35 mm) female terminals are constructed with an insulator barrel to provide strain relief.



P1015-18 Quick Connect to Screw Adapter

Screw adapter terminal designed for use with all modules with 0.25 in. (6.35 mm) male quick connect terminals.

Ordering Information

| MODEL | INPUT VOLTAGE | ADJUSTMENT | TIME DELAY |
|------------|---------------|------------|------------|
| TSD2411S | 120VAC | Fixed | 1s |
| TSD24145S | 120VAC | Fixed | 45s |
| TSD241600S | 120VAC | Fixed | 600s |
| TSD2434 | 120VAC | Onboard | 1 - 100m |

If you don't find the part you need, call us for a custom product 800-843-8848

TSD2 SERIES

Accessories

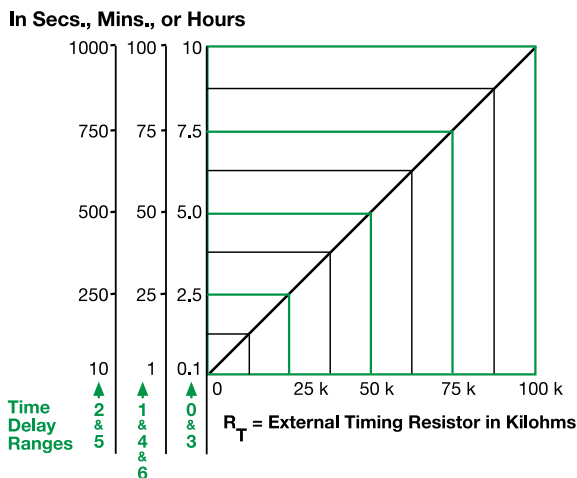


C103PM (AL) DIN Rail
35 mm aluminum DIN rail available in a 36 in. (91.4 cm) length.



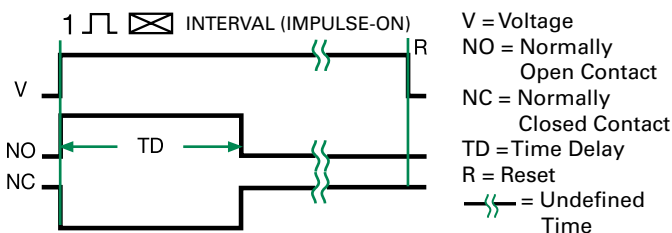
P1023-20 DIN Rail Adapter
Allows module to be mounted on a 35 mm DIN type rail with two #10 screws.

External Resistance vs. Time Delay



This chart applies to externally adjustable part numbers. The time delay is adjustable over the time delay range selected by varying the resistance across the R_T terminals; as the resistance increases the time delay increases. When selecting an external R_T , add the tolerances of the timer and the R_T for the full time range adjustment.
Examples: 1 to 50 S adjustable time delay, select time delay range 1 and a 50 K ohm R_T . For 1 to 100 S use a 100 K ohm R_T .

Function Diagram



Specifications

| | |
|---|---|
| Time Delay | 0.1s - 100h in 7 adjustable ranges or fixed |
| Range | $\pm 0.1\%$ or 20ms, whichever is greater |
| Repeat Accuracy | |
| Tolerance | |
| (Factory Calibration) | $\leq \pm 1\%$ |
| Reset Time | $\leq 150\text{ms}$ |
| Time Delay vs. Temperature & Voltage | $\leq \pm 1\%$ |
| Input | |
| Voltage | 24, 120, or 230VAC |
| Tolerance | $\pm 20\%$ |
| AC Line Frequency | 50/60 Hz |
| Power Consumption | $\leq 2\text{VA}$ |
| Output | |
| Type | Solid state |
| Form | NO, closed during timing |
| Maximum Load Current | 1A steady state, 10A inrush at 60°C |
| Off State Leakage Current | $\approx 5\text{mA}$ @ 230VAC |
| Voltage Drop | $\approx 2.5\text{V}$ @ 1A |
| Protection | |
| Circuitry | Encapsulated |
| Dielectric Breakdown | $\geq 2000\text{V RMS}$ terminals to mounting surface |
| Insulation Resistance | $\geq 100\text{M}\Omega$ |
| Mechanical | |
| Mounting | Surface mount with one #10 (M5 x 0.8) screw |
| Dimensions | H 50.8 mm (2"); W 50.8 mm (2"); D 30.7 mm (1.21") |
| Termination | 0.25 in. (6.35 mm) male quick connect terminals |
| Environmental | |
| Operating/Storage | |
| Temperature | -40° to 75°C / -40° to 85°C |
| Humidity | 95% relative, non-condensing |
| Weight | $\approx 2.4\text{ oz}$ (68 g) |