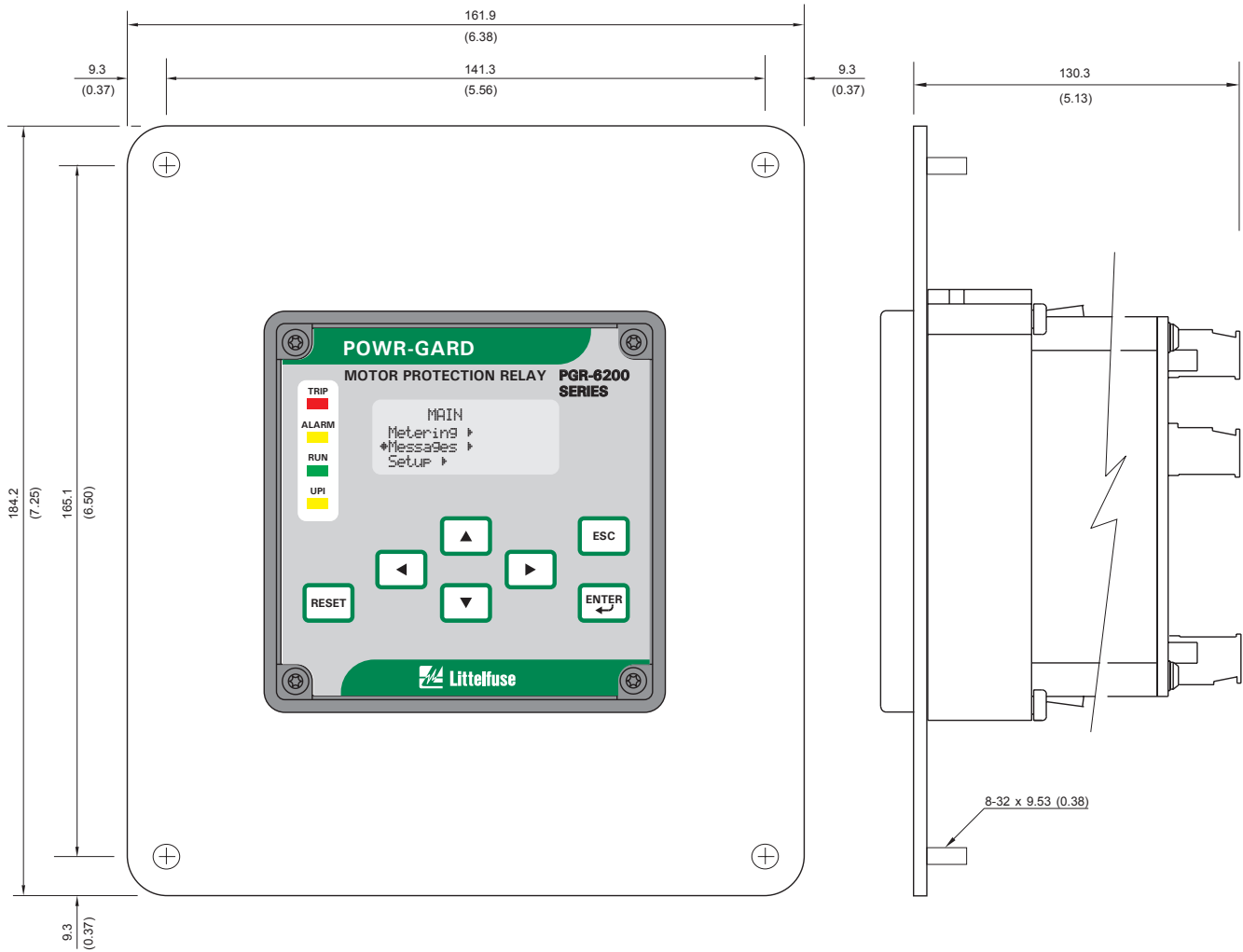


PMA-12 GE & WESTINGHOUSE FT-11 ADAPTER PLATE



NOTES:

1. Dimensions in millimetres (inches).
2. Mounting hardware included.
3. PGR-6200 not included with PMA-12. Order separately with complete part number.
4. PGA-0CIM-00-00, where required, should be mounted near phase CT's. Order separately.