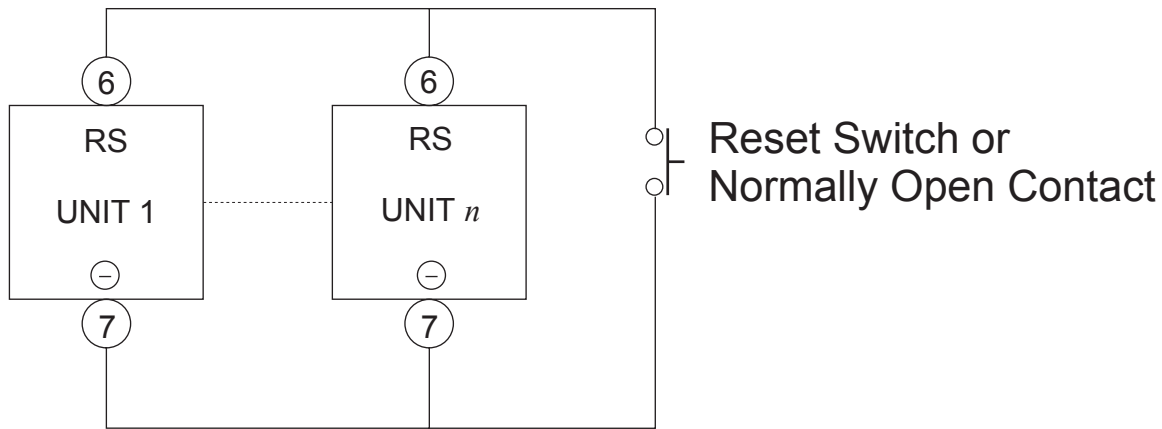


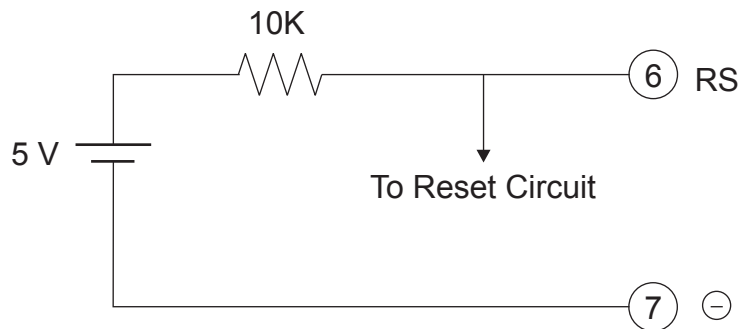
## SE-701 REMOTE RESET

When a ground-fault trip occurs, the trip remains latched until the RESET switch is pressed, the remote-reset terminals are shorted, or the supply voltage is cycled. The reset circuit responds only to a momentary closure so that a jammed or shorted switch will not maintain a reset signal. Cycling the supply voltage will not reset the trip LED.

Multiple SE-701 monitors can be reset simultaneously by a parallel connection of remote reset terminals 6 and 7. As shown below, all SE-701s can be reset using a single contact:



The equivalent circuit of the reset input is shown below.



Maximum Low Reset Voltage	= 0.5 Vdc
Minimum High Reset-Release Voltage	= 3.5 Vdc
Maximum Output Current	= 0.5 mA
Minimum Reset Pulse Width	= 50 ms