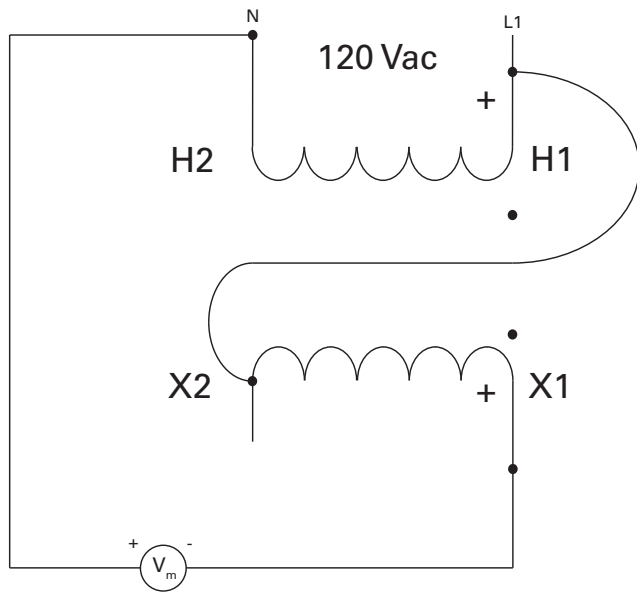
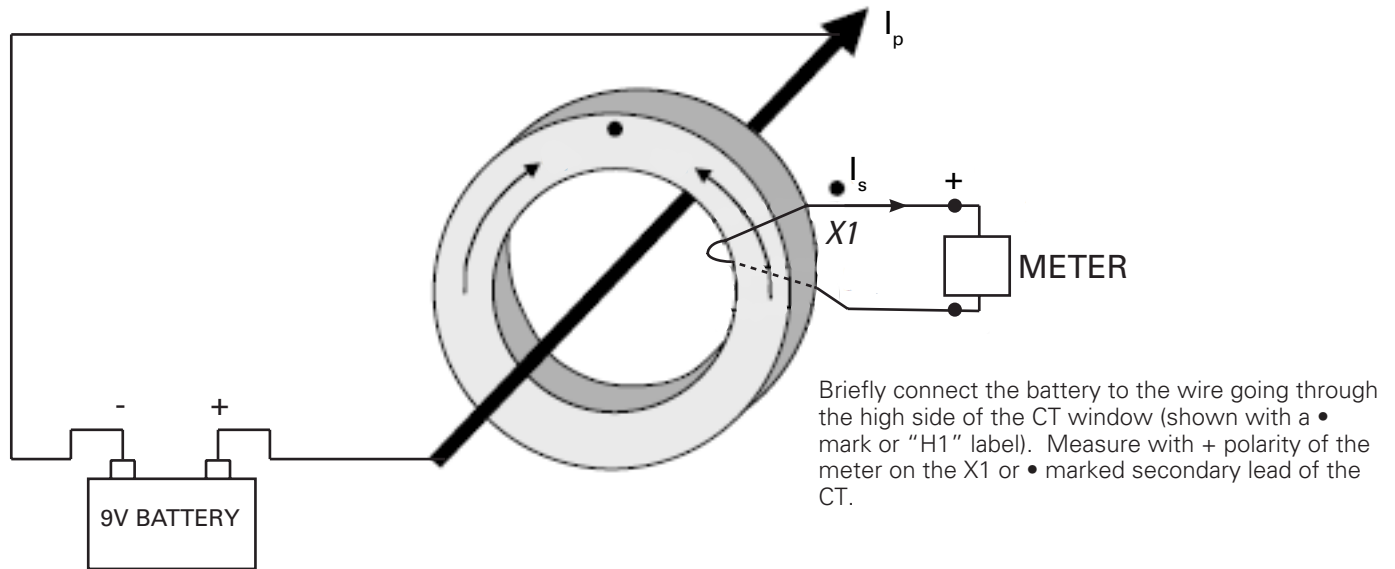


## CURRENT TRANSFORMER & POTENTIAL TRANSFORMER POLARITY TESTING

Correct operation of MPS and FPS relays depends on accurate polarity. Markings on current transformers (CT) and potential transformers (PT) have been occasionally misapplied from the factory. The tests below will assist in confirming polarity in the field.



Example 4200 : 120 Transformer

116 V on primary = 3.3 V on secondary  $V_m$   
 will read 116 + 3.3 V if connected as shown = 119.3  
 If the polarity mark is incorrect, the reading will be 112.7.