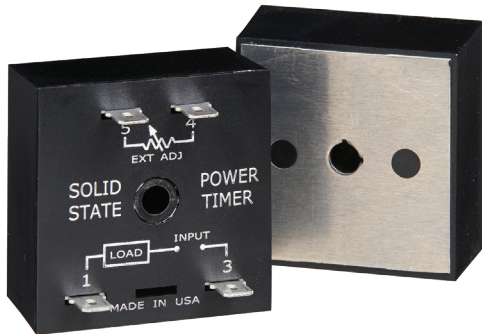


THD7 SERIES



Description

The THD7 Series utilizes only two terminals connected in series with the load. Interval timing mode is achieved by using a small portion of the AC sine wave allowing sufficient voltage for circuit operation. The THD7 Series can be used for interval or delay-on-break timing. It is designed to operate large loads directly, such as motors, heater elements, and motor starters.

Operation (Interval)

Upon application of input voltage, the output energizes and the time delay begins. The output remains energized throughout the time delay. At the end of the time delay the output de-energizes and remains de-energized until power is removed.

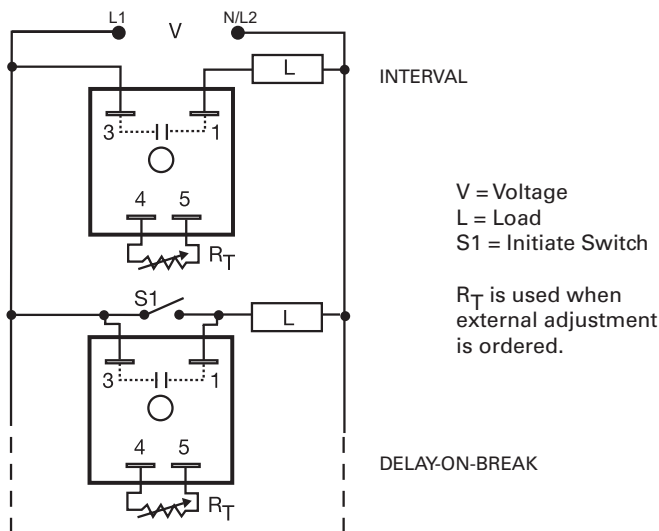
Reset: Removing input voltage resets the time delay and the output.

Operation (Delay-on-Break)

Upon closure of SW1, the load energizes and the timer is reset (zero voltage across its input terminals). Opening SW1 re-applies input voltage to the timer, the load remains energized and the time delay begins. At the end of the time delay the output de-energizes. If SW1 is open when power is applied, the load will energize for the time delay then de-energize.

Reset: Reclosing SW1 resets the timer.

Wiring Diagram



Features & Benefits

FEATURES	BENEFITS
Digital integrated circuitry	Repeat Accuracy +/- 0.5%
High load currents up to 20A, 200A inrush	Allows direct operation of motors, lamps and heaters without a contactor
Totally solid state and encapsulated	No moving parts to arc and wear out over time and encapsulated to protect against shock, vibration and humidity
Metalized mounting surface	Facilitates heat transfer in high current applications
Compact, low cost design	Allows flexibility for OEM applications and reduces labor and component costs

Accessories



P1004-13, P1004-13-X Versa-Pot

Panel mountable, industrial potentiometer recommended for remote time delay adjustment.



P1023-6 Mounting bracket

The 90° orientation of mounting slots makes installation/removal of modules quick and easy.



P0700-7 Versa-Knob

Designed for 0.25 in. (6.35 mm) shaft of Versa-Pot. Semi-gloss industrial black finish.



P1015-13 (AWG 10/12), P1015-64 (AWG 14/16) Female Quick Connect

These 0.25 in. (6.35 mm) female terminals are constructed with an insulator barrel to provide strain relief.

Ordering Information

MODEL	INPUT VOLTAGE	ADJUSTMENT	TIME DELAY	OUTPUT RATING
THD7421A	120VAC	External	1 - 100s	6A
THD7621C	230VAC	External	1 - 100s	20A

If you don't find the part you need, call us for a custom product 800-843-8848