

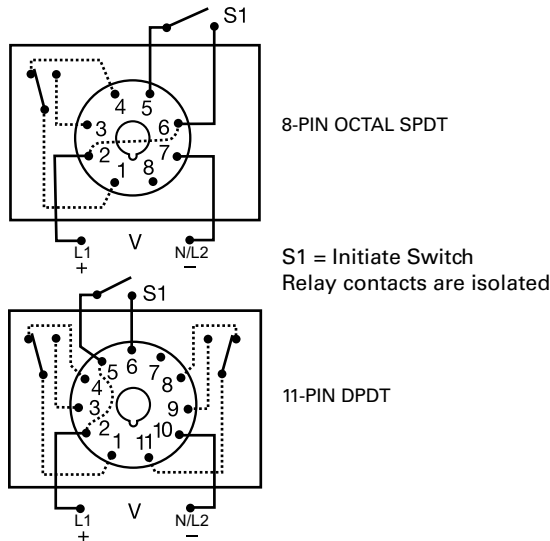
# Time Delay Relays

## DELAY-ON-BREAK

TDB / TDBH / TDBL Series



### Wiring Diagram



### Description

The TDB series combines accurate digital circuitry with isolated, 8 A, DPDT or SPDT contacts in an 8-pin or 11-pin plug-in package. The TDB series features DIP switch selectable time delays ranging from 0.1–10,230 seconds in three ranges. The TDB series is the product of choice for custom control panel and OEM designers.

#### Operation (Delay-on-Break)

Input voltage must be applied to the input before and during timing. Upon closure of the initiate switch, the output relay is energized. The time delay begins when the initiate switch is opened (trailing edge triggered). The output remains energized during timing. At the end of the time delay, the output de-energizes. The output will energize if the initiate switch is closed when input voltage is applied.

**Reset:** Reclosing the initiate switch during timing resets the time delay. Loss of input voltage resets the time delay and output.

### Features & Benefits

FEATURES	BENEFITS
<b>3 time ranges available (0.1 s to 2.8 h)</b>	Makes it versatile for use in many applications
<b>Microcontroller based</b>	Repeat Accuracy +/- 0.1 %; Setting Accuracy +/- 2 %
<b>LED indication (select models)</b>	Provides visual indication of relay status
<b>Dip switch adjustment</b>	Provides first time setting accuracy
<b>Isolated output contacts</b>	Allows control of loads with independent voltage sources

### Ordering Information

MODEL	INPUT VOLTAGE	DELAY RANGE (SEC)	LED	TYPE PLUG/OUTPUT FORM
TDB120AL	120 V ac	1–1023 in 1 s increments	X	Octal (8-pin) plug, SPDT
TDB120ALD	120 V ac	1–1023 in 1 s increments	X	11-pin plug, DPDT
TDB12D	12 V dc	1–1023 in 1 s increments		Octal (8-pin) plug, SPDT
TDB230AL	230 V ac	1–1023 in 1 s increments	X	Octal (8-pin) plug, SPDT
TDB24AL	24 V ac	1–1023 in 1 s increments	X	Octal (8-pin) plug, SPDT
TDB24DL	24 V dc/ 28 V dc	1–1023 in 1s increments	X	Octal (8-pin) plug, SPDT
TDBH120AL	120 V ac	10–10230 in 10 s increments	X	Octal (8-pin) plug, SPDT
TDBH120ALD	120 V ac	10–10230 in 10 s increments	X	11-pin plug, DPDT
TDBL120AL	120 V ac	0.1–102.3 in 0.1 s increments	X	Octal (8-pin) plug, SPDT
TDBL120ALD	120 V ac	0.1–102.3 in 0.1 s increments	X	11-pin plug, DPDT
TDBL24DL	24 V dc/ 28 V dc	0.1–102.3 in 0.1 s increments	X	Octal (8-pin) plug, SPDT

# Time Delay Relays

## DELAY-ON-BREAK

### Accessories



**OT08PC 8-pin Octal Socket for UL listing\***  
8-pin 35 mm DIN-rail or surface mount. Rated at 10 A @ 600 V ac. Surface mounted with two #6 screws or snaps onto a 35 mm DIN rail.



**OT11PC Octal Socket for UL listing\***  
11-pin surface & DIN-rail mountable. Rated for 10 A @ 300 V ac

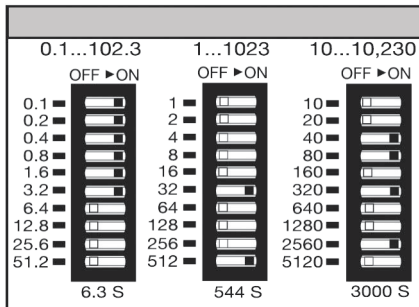


**P1011-6 Octal Socket for UL listing\***  
8-pin surface mount socket with binder head screw terminals. Rated 10 A @ 600 V ac.

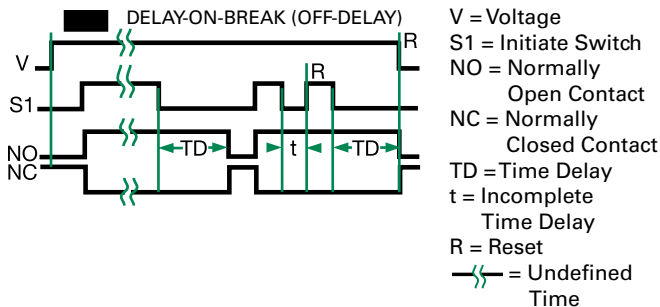


**C103PM (AL) DIN Rail**  
35 mm aluminum DIN rail available in a 36 in. (91.4 cm) length.

### Digi-Set Binary Switch Operation



### Function Diagram



### Specifications

#### Time Delay

**Type**  
**Range**

Digital integrated circuitry  
0.1–102.3 s in 0.1 s increments  
1–1023 s in 1 s increments  
10–10,230 s in 10 s increments

#### Repeat Accuracy Setting Accuracy Reset Time Time Delay vs Temp. & Voltage

±0.1 %  
±2 %  
≤ 150 ms

#### Indicator Initiate Time

±5 %  
LED indicates relay is energized  
≤ 60 ms

#### Input

#### Voltage

12, 24/28 V dc; 24, 120, or 230 V ac

#### Tolerance

#### 12 V dc & 24 V dc/ac

-15% – 20%

#### 120 & 230 V ac

-20% – 10%

#### AC Line Frequency

50/60 Hz

#### Power Consumption

≤ 3.25W

#### Output

#### Type

Electromechanical relay

#### Form

SPDT or DPDT

#### Rating

8 A resistive @ 120/240 V ac;  
1/3 hp @ 120/240 V ac

#### Life

Mechanical - 1 x 10<sup>7</sup>; Electrical - 1 x 10<sup>6</sup>

#### Protection

#### Isolation Voltage

≥ 1500 V rms input to output

#### Polarity

Dc units reverse polarity protected

#### Mechanical

#### Mounting

Plug-in socket

#### Dimensions

**H** 44.45 mm (1.75"); **W** 60.33 mm (2.38");

**D** (with socket) 104.78 mm (4.13")

Octal 8-pin plug-in or 11-pin plug-in

#### Termination

#### Environmental

#### Operating/Storage

#### Temperature

-20 °C to 65 °C / -30 °C to 85 °C

#### Weight

≈ 4 oz (113 g)

#### Safety Marks

#### UL (socket required)\*

UL 508 (E57310)

\*UL Listed when used with Part Number OT08-PC, RB08-PC, OT11-PC, or RB11-PC manufactured by Custom Connector Corp.

**Note:** Manufacturer's recommended screw terminal torque for the OT series sockets is 12 in.-lbs.

**Disclaimer Notice** – Information furnished is believed to be accurate and reliable. However, users should independently evaluate the suitability of and test each product selected for their own applications. Littelfuse products are not designed for, and may not be used in, all applications. Read complete Disclaimer Notice at [www.littelfuse.com/product-disclaimer](http://www.littelfuse.com/product-disclaimer).