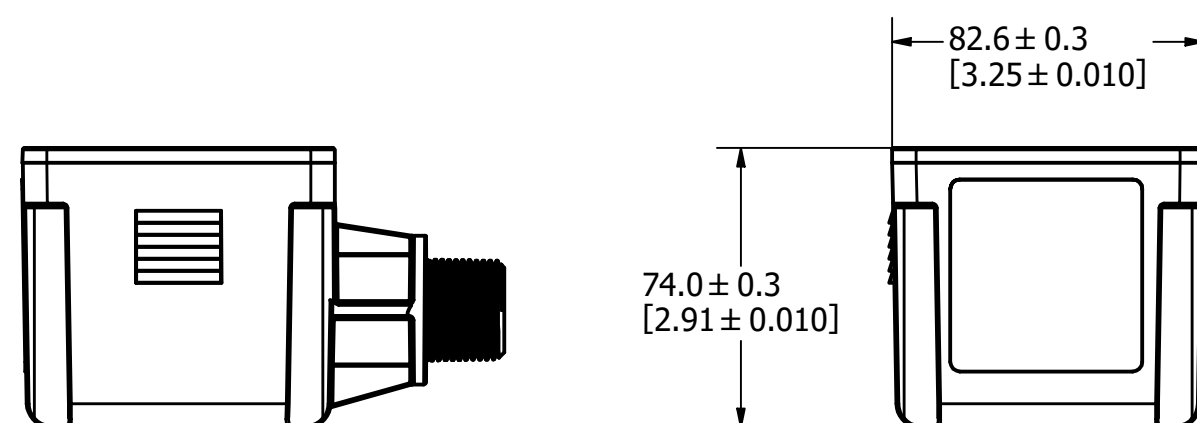
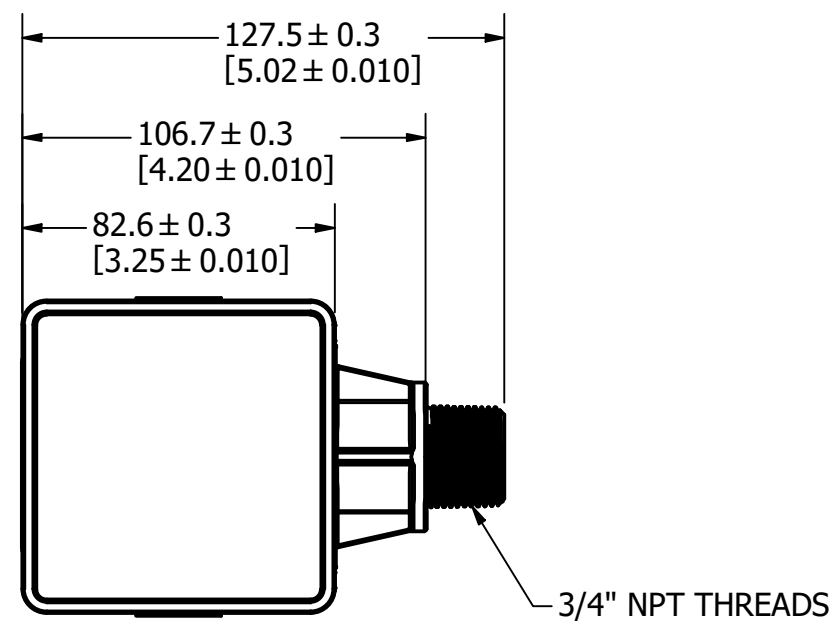
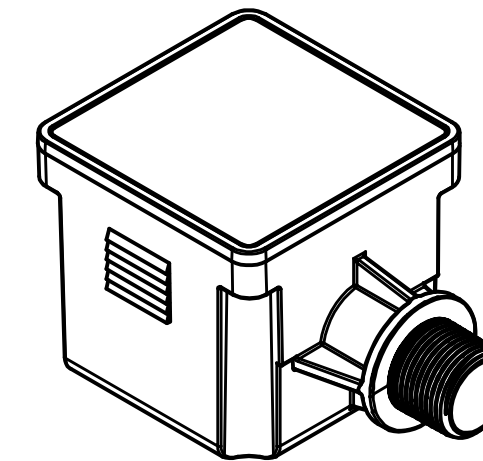
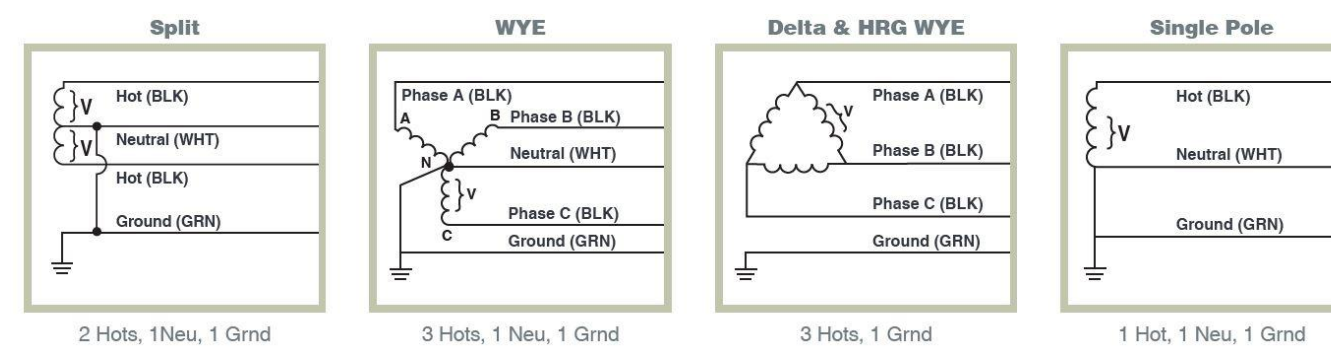


| PART NO. | MAX. CONTINUOUS OPERATING VOLTAGE (AC) | NOMINAL AC VOLTAGE | ELECTRICAL SYSTEM |
|--------------|--|--------------------|-------------------|
| SPDN-B120-1P | 180 | 120 | SINGLE PHASE |
| SPDN-B120-2S | 180 | 240/120 | SPLIT PHASE |
| SPDN-B120-3Y | 150 | 208/120 | 3 PHASE WYE |
| SPDN-B240-1P | 350 | 240 | SINGLE PHASE |
| SPDN-B240-3D | 275 | 240 | 3 PHASE DELTA |
| SPDN-B277-3Y | 350 | 480/277 | 3 PHASE WYE |
| SPDN-B480-3D | 550 | 480 | 3 PHASE DELTA |

| REVISION | | DESCRIPTION |
|----------|---------|-------------------------|
| REV | DATE | |
| A | 5/16/23 | 526444GCP - RELEASE MRY |



WIRING CONFIGURATION



- NOTES:**
1. STANDARD LEAD LENGTH: 18-20"
2. ENCLOSURE RATING: POLYCARBONATE 4X

| NO | COMPONENT NO | DESCRIPTION | QTY/M | U/M |
|---|----------------|--|----------------------------|--------------|
| BILL OF MATERIAL | | | | |
| <S> | | CRITICAL CHARACTERISTIC FOR PART SAFETY/COMPLIANCE | | |
| ● | | DENOTES CRITICAL CHARACTERISTICS. | | |
| CPK | | DENOTES CPK DIMENSIONS, -MINIMUM CPK VALUE | | |
| Ⓢ | | DENOTES A CHARACTERISTIC THAT PROVIDES AN INDICATION OF PROCESS PERFORMANCE. PROCEDURE FOR MEASUREMENT AND TRACKING TO BE DEFINED IN LITTELFUSE INSPECTION INSTRUCTIONS. | | |
| CP | | DENOTES CP DIMENSIONS, -MINIMUM CP VALUE MUST BE WITHIN THE DIMENSIONAL LIMITATIONS SHOWN ON DRAWING AND INITIALLY LOCATED TO ALLOW FOR MAXIMUM TOOL LIFE. | | C |
| MATL SPEC | | FINISH | | |
| DRW myork | DATE 2/28/2023 | SCALE NTS | FINISH GOOD WT GRAMS/PIECE | |
| UNLESS OTHERWISE SPECIFIED, DIMENSIONS ARE IN MILLIMETERS, DIMENSIONS IN BRACKETS [] ARE INCHES DIMENSIONING AND DO NOT INCLUDE PLATING. TOLERANCING TO BE INTERPRETED IN ACCORDANCE WITH ANSI Y14.5M-1994 | | | | |
| 3RD ANGLE PROJECTION | | | | |
| TITLE SURGE PROTECTION DEVICE, UL TYPE 1 OUTLINE | | | | |
| Littelfuse CHICAGO, ILLINOIS 60631 | | REVISION | DRWG NO. | SHEET 1 OF 1 |
| | | A | OL-SPDN-B | |