

# Certificate



Intertek


for European Product Safety

Reference No. 1117973

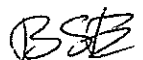
## Miniature fuse-link

Type designation	0216 series
Certificate holder	<b>Suzhou Littelfuse OVS Ltd.</b> 6 Xinghai Street Suzhou Industrial Park, Suzhou City Jiangsu Province 215021 CHINA
The product complies with the standard(s)	EN 60127-2:2003 and A1+A2
Date of expiry	1 December 2016
EU Directive information	The product satisfies the provisions for CE marking according to the Low Voltage Directive 2006/95/EC.

Additional information in Appendix.

Certification Body	Intertek Semko AB, Product Certification	Place	Kista - Stockholm
Signed	 Linda Gustafsson	Date	1 December 2011 Page 1 of 3

This certificate is issued in accordance with the terms and conditions set out in the Appendix.





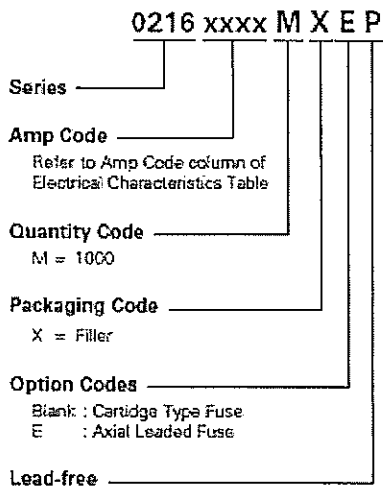
**Intertek  
Appendix**

Reference No. 1117973

*Technical data*

Type designation	0216 Series
Rated voltage (V)	250V
Rated current (A)	1A 1,25A 1,6A 2,0A 2,5A 3,15A 4A 5A 6,3A
Standard sheet	1
Trademark	LF.
Product information	Quick-acting, high breaking capacity. Size 5 x 20mm. Cartridge type and with wire terminations. Explanation of part numbering system below.

**Part Numbering System**



*This Certificate is for the exclusive use of Intertek's Client and is provided pursuant to the Certification agreement between Intertek and its Client. Intertek's responsibility and liability are limited to the terms and conditions of the agreement. Intertek assumes no liability to any party, other than to the Client in accordance with the agreement, for any loss, expense or damage occasioned by the use of this certificate. Only the Client is authorized to permit copying or distribution of this certificate and then only in its entirety. Use of Intertek's Certification mark is restricted to the conditions laid out in the agreement. Any further use of the Intertek name for the sale or advertisement of the tested material, product or service must first be approved in writing by Intertek. Initial Factory Assessments and Follow up Services are for the purpose of assuring appropriate usage of the Certification mark in accordance with the agreement, they are not for the purposes of production quality control and do not relieve the Client of their obligations in this respect.*



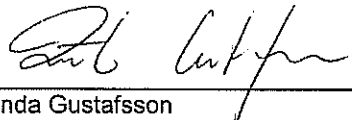
**Intertek  
Appendix**

Reference No. 1117973

*Manufacturing site(s)* Suzhou Littelfuse OVS Ltd.  
6 Xinghai Street  
Suzhou Industrial Park, Suzhou City  
Jiangsu Province 215021  
CHINA

This certificate, which includes production control, is considered to constitute sufficient support for an EC Declaration of Conformity and CE marking of the product according to the Low Voltage Directive 2006/95/EC.

*Certification Body* Intertek Semko AB, Product Certification *Place* Kista - Stockholm

*Signed*   
Linda Gustafsson *Date* 1 December 2011

*This Certificate is for the exclusive use of Intertek's Client and is provided pursuant to the Certification agreement between Intertek and its Client. Intertek's responsibility and liability are limited to the terms and conditions of the agreement. Intertek assumes no liability to any party, other than to the Client in accordance with the agreement, for any loss, expense or damage occasioned by the use of this certificate. Only the Client is authorized to permit copying or distribution of this certificate and then only in its entirety. Use of Intertek's Certification mark is restricted to the conditions laid out in the agreement. Any further use of the Intertek name for the sale or advertisement of the tested material, product or service must first be approved in writing by Intertek. Initial Factory Assessments and Follow up Services are for the purpose of assuring appropriate usage of the Certification mark in accordance with the agreement, they are not for the purposes of production quality control and do not relieve the Client of their obligations in this respect.*