

Accessories

SE-CS30 SERIES CURRENT TRANSFORMER



Current Sensor



Description

The SE-CS30 series is a sensitive nickel-core current transformer used with Littelfuse relays to detect low levels of earth-leakage current.

Specifications

| | |
|------------------------------|----------------------------|
| Turns Ratio | 600:1 |
| Current Rating | 30:0.05 A |
| Accuracy | 3% @ 0.06 VA |
| Frequency | 50-400 Hz |
| Insulation Level | 600 V |
| Operating Temperature | -55 to 60°C (-67 to 140°F) |

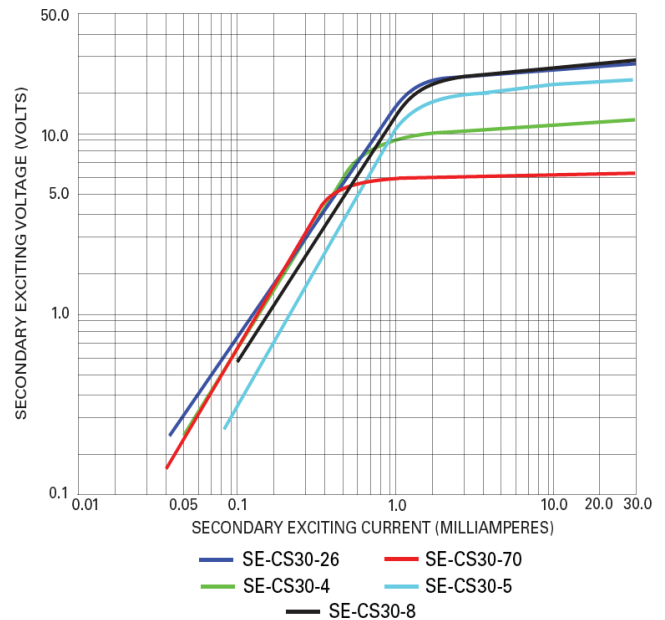
Application
FPU-32, FPS, MPU-32, MPS, PGR-6100, PGR-6101, SE-330, SE-701, SE-704

Certification
CSA, UL, CE

Compliance
RoHS, IEC 60044-1

Ordering Information

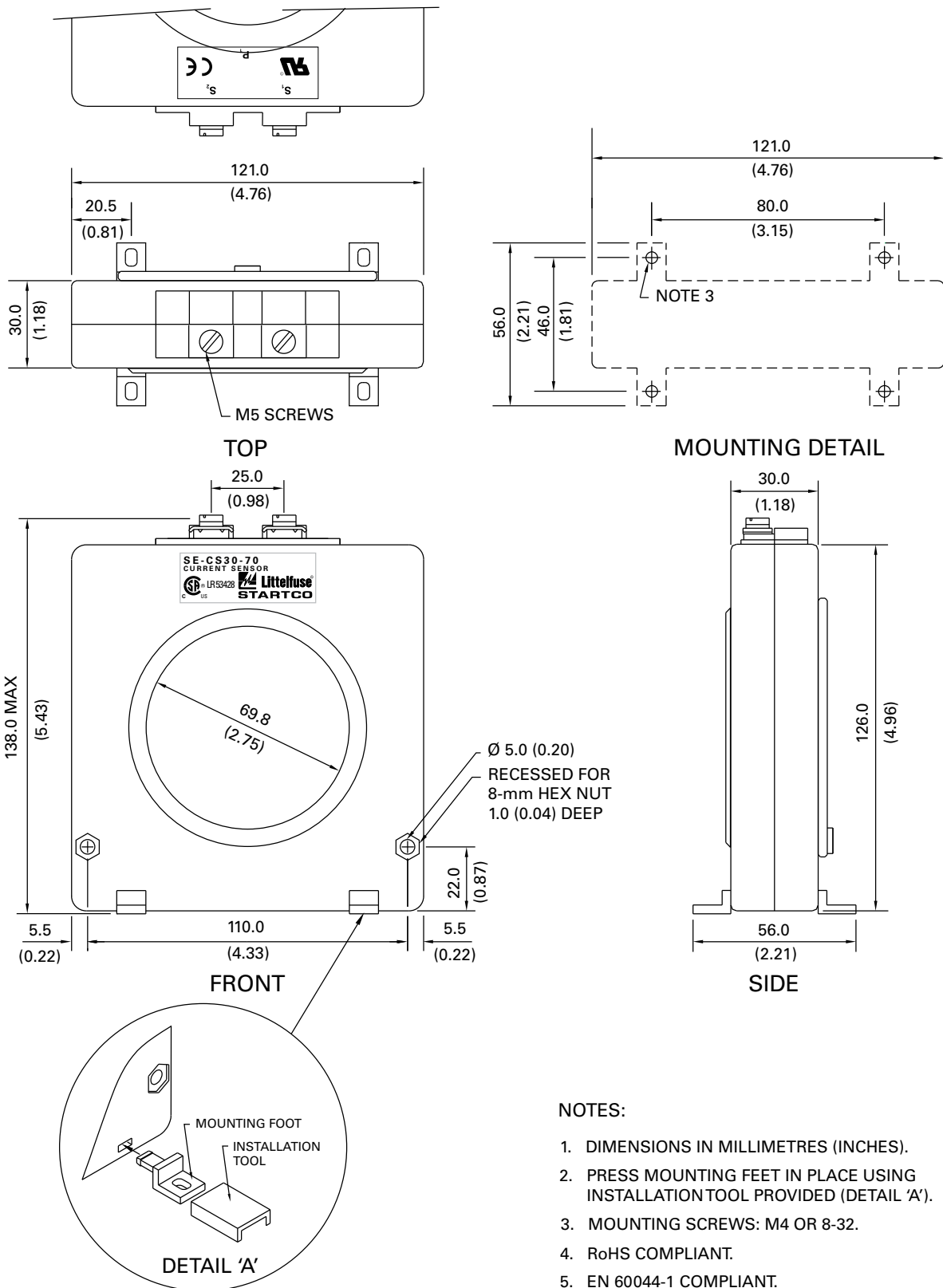
| ORDERING NUMBER | WINDOW SIZE, ID | WEIGHT |
|-----------------|-----------------|-----------------|
| SE-CS30-26 | 26 mm (1.0") | 0.5 kg (1.0 lb) |
| SE-CS30-70 | 70 mm (2.8") | 1.2 kg (2.5 lb) |
| SE-CS30-4 | 95 mm (3.7") | 1.3 kg (3.0 lb) |
| SE-CS30-5 | 140 mm (5.5") | 2.1 kg (4.6 lb) |
| SE-CS30-8 | 200 mm (7.9") | 4.3 kg (9.4 lb) |



Accessories

SE-CS30 SERIES CURRENT TRANSFORMER

Dimensions and Mounting Diagram SE-CS30-26



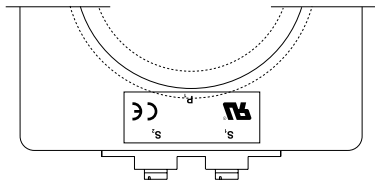
NOTES:

1. DIMENSIONS IN MILLIMETRES (INCHES).
2. PRESS MOUNTING FEET IN PLACE USING INSTALLATION TOOL PROVIDED (DETAIL 'A').
3. MOUNTING SCREWS: M4 OR 8-32.
4. RoHS COMPLIANT.
5. EN 60044-1 COMPLIANT.

Accessories

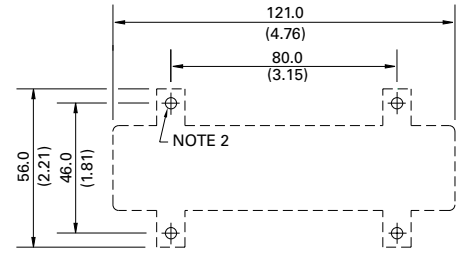
SE-CS30 SERIES CURRENT TRANSFORMER

Dimensions and Mounting Diagram SE-CS30-70

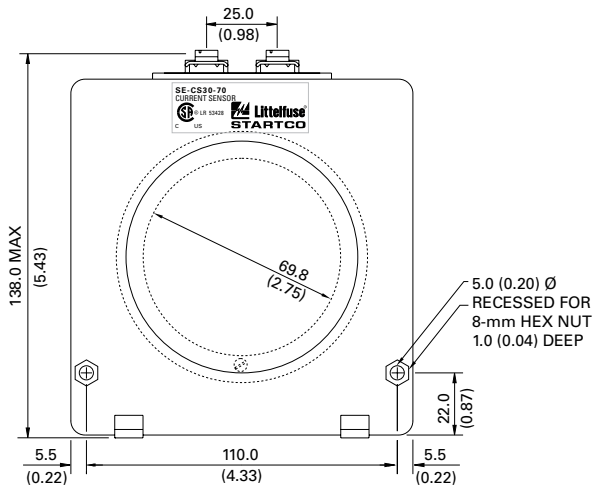


NOTES:

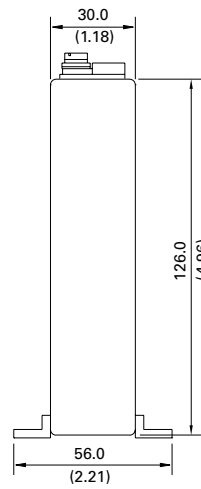
1. DIMENSIONS IN MILLIMETRES (INCHES).
2. MOUNTING SCREWS: M4 OR 8-32.
3. PRESS MOUNTING FEET IN PLACE USING INSTALLATION TOOL PROVIDED.
4. RoHS COMPLIANT.
5. EN 60044-1 COMPLIANT.



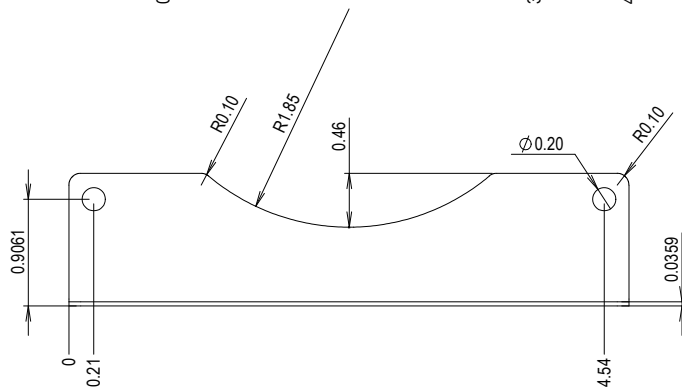
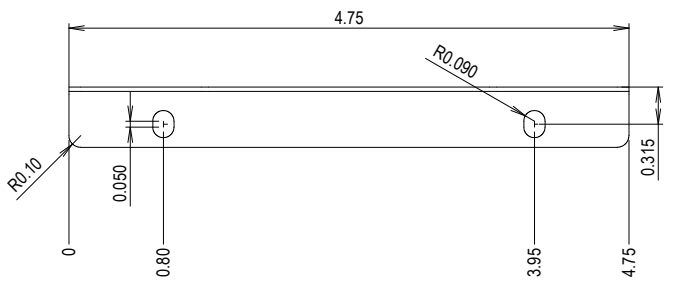
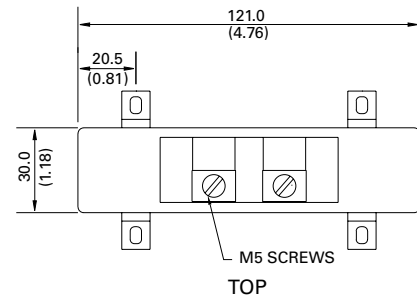
MOUNTING DETAIL



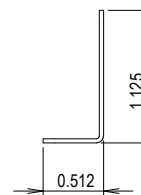
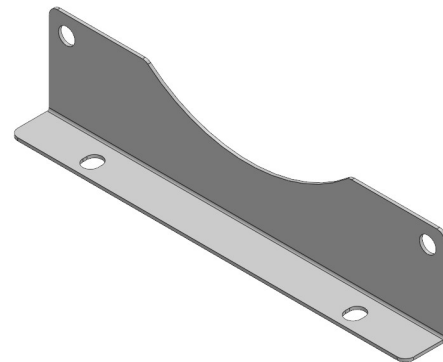
FRONT



SIDE



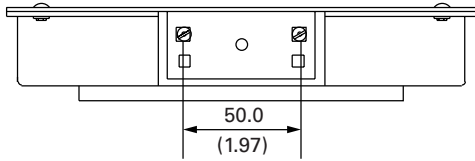
MOUNTING FEET



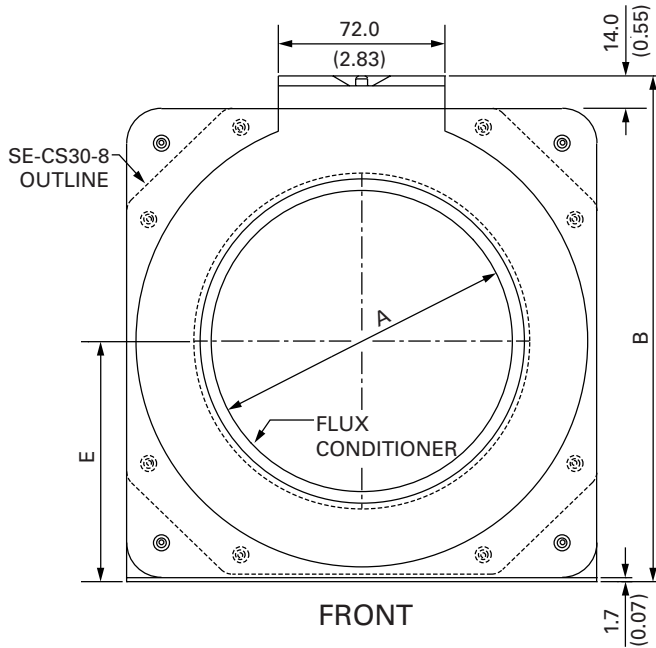
Accessories

SE-CS30 SERIES CURRENT TRANSFORMER

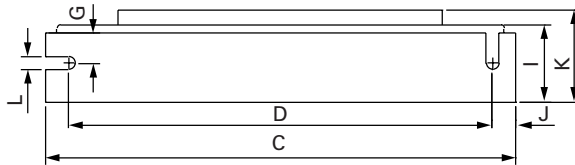
Dimensions and Mounting Diagram SE-CS30-4, SE-CS30-5, and SE-CS30-8



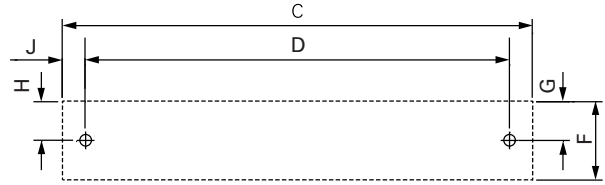
TOP (COVER REMOVED)



FRONT



BOTTOM



MOUNTING DETAIL

NOTES:

1. DIMENSIONS IN MILLIMETRES (INCHES).
2. MOUNTING SCREWS: M5 OR 10-32.
3. RoHS COMPLIANT.
4. CE COMPLIANT.

| | DIMENSIONS | | |
|---|--------------|--------------|---------------|
| | SE-CS30-4 | SE-CS30-5 | SE-CS30-8 |
| A | 95.0 (3.74) | 130.0 (5.12) | 200.0 (7.87) |
| B | 175.0 (6.89) | 218.0 (8.78) | 309.0 (12.17) |
| C | 158.0 (6.22) | 203.0 (7.99) | 290.5 (11.44) |
| D | 141.0 (5.55) | 178.0 (7.01) | 267.5 (10.50) |
| E | 82.0 (3.22) | 103.5 (4.07) | 150.0 (5.90) |
| F | 32.0 (1.26) | 32.0 (1.26) | 34.0 (1.34) |
| G | 17.5 (0.69) | 11.0 (0.43) | 11.0 (0.43) |
| H | 15.0 (0.59) | 13.3 (0.52) | 13.3 (0.52) |
| I | 33.0 (1.30) | 34.0 (1.34) | 43.0 (1.69) |
| J | 9.0 (0.35) | 11.0 (0.43) | 11.5 (0.45) |
| K | 40.0 (1.57) | 40.0 (1.57) | 50.0 (1.97) |
| L | 5.3 (0.21) | 7.0 (0.28) | 7.0 (0.28) |

Disclaimer Notice – Information furnished is believed to be accurate and reliable. However, users should independently evaluate the suitability of and test each product selected for their own applications. Littelfuse products are not designed for, and may not be used in, all applications. Read complete Disclaimer Notice at www.littelfuse.com/product-disclaimer.