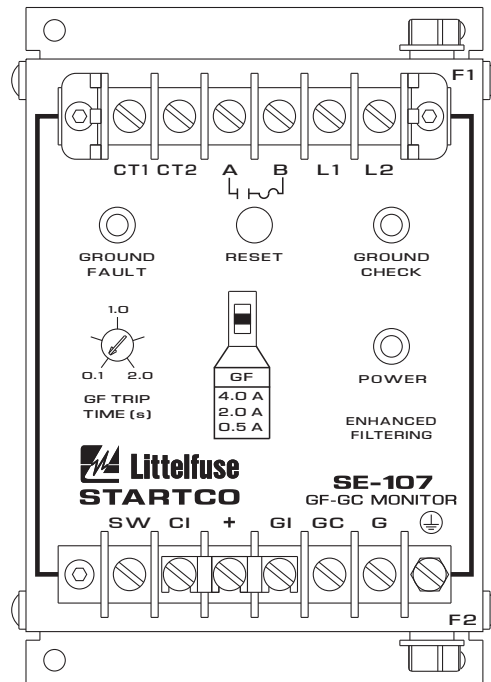


SE-107 MANUAL
GROUND-FAULT GROUND-CHECK MONITOR
REVISION 5-C-050715



Copyright © 2015 by Littelfuse Startco

All rights reserved.

This page intentionally left blank.

TABLE OF CONTENTS

SECTION	PAGE
1 General	1
2 Operation	1
2.1 Settings.....	1
2.1.1 GF Trip Time.....	1
2.1.2 GF.....	1
2.2 Output Relay.....	1
2.3 Indication and Reset.....	1
2.4 Fusing.....	1
3 Installation	1
3.1 SE-107.....	1
3.2 Ground-Fault CT.....	3
3.3 Ground-Check Termination.....	4
3.4 Remote Operation.....	4
3.5 Parallel-Path Isolation.....	4
3.6 Ground-Fault Testing.....	4
4 Compatibility	4
5 Technical Specifications	11
5.1 SE-107.....	11
5.2 Current Sensors.....	12
5.3 Termination Assemblies.....	12
6 Ordering Information	13
7 Warranty	13
8 Ground-Fault Performance Test	14
Appendix A SE-107 Revision History	15

LIST OF TABLES

TABLE	PAGE
1 Terminal Designations.....	4
2 Ground-Fault-Test Record.....	14

DISCLAIMER

Specifications are subject to change without notice. Littelfuse Startco is not liable for contingent or consequential damages, or for expenses sustained as a result of incorrect application, incorrect adjustment, or a malfunction.

LIST OF FIGURES

FIGURE	PAGE
1 Typical Application.....	2
2 SE-107 Outline and Mounting Details.....	3
3 Current Transformers.....	5
4 Zener-Diode Termination Devices.....	5
5 SE-TA6 Termination Assembly.....	6
6 SE-TA6SF-WL Small-Format Termination Assembly with Wire Leads.....	6
7 RK-102 Remote Indication and Reset Kit.....	7
8 RK-105 Remote Indication-and-Reset Assembly.....	7
9 RK-105I Remote Indication Assembly.....	8
10 RK-13 Relay Interface Module.....	8
11 PPI-600V Parallel-Path Isolator.....	9
12 PPI-600V Typical Installation.....	10
13 Ground-Fault-Test Circuits.....	14

This page intentionally left blank.

1. GENERAL

The SE-107 is a combination ground-fault and ground-check monitor for resistance-grounded systems in non-hazardous applications. The ground-fault circuit is latching and the ground-check circuit is typically non-latching. One output contact is provided for contactor control or for undervoltage operation in a breaker trip circuit.

Ground-fault current is sensed by a CT200-series current transformer. A trip level of 0.5, 2.0, or 4.0 A is switch selectable for use with a 5-, 15-, or 25-A grounding resistor. Enhanced filtering eliminates false ground-fault trips from adjustable-speed-drive harmonic distortion. Trip time is adjustable from 0.1 to 2.0 seconds.

The fail-safe ground-check circuit is validated by an end-of-line termination with a 5.6-volt Zener characteristic. The Zener characteristic clamps induced voltage and allows induced current to flow in the ground-check loop. Consequently, induced-ac-withstand capability, noise immunity, and open/short detection are independent of current in the phase conductors. Enhanced filtering prevents false ground-check validation due to an active chopper condition. See www.littelfuse.com/relayscontrols for Technical Note GC-1.

CAUTION: The SE-107 is not a lock-out device. Follow lock-out procedures for maintenance.

2. OPERATION

2.1 SETTINGS

2.1.1 GF TRIP TIME

Ground-fault trip time is adjustable from 0.1 to 2.0 seconds. Time-coordinated ground-fault protection requires this setting to be longer than the trip time of downstream ground-fault devices.

2.1.2 GF

The ground-fault-circuit trip level is 0.5, 2.0, or 4.0 A when current is sensed with a CT200-series current transformer. Since the ground-fault-circuit trip level should not be greater than 20% of the grounding resistor let-through current, these levels are appropriate for use with 5-, 15-, or 25-A grounding resistors. For other applications, the trip level of the ground-fault circuit is 0.25, 1.0, or 2.0% of the primary rating of the 5-A-secondary current transformer.

2.2 OUTPUT RELAY

The output relay operates in the undervoltage mode. It is energized and its contact is closed when the ground-check loop is valid and the ground-fault circuit is not tripped. The undervoltage mode is referred to as fail-safe because:

- Undervoltage devices release if supply voltage fails.
- Undervoltage ground-check circuits do not allow cable couplers to be energized until the ground-check loop is verified.

2.3 INDICATION AND RESET

The blue POWER LED indicates that the internal power supply is on. The red GROUND FAULT LED indicates a ground-fault trip and the green GROUND CHECK LED indicates a valid ground-check loop. When a ground-fault trip occurs, the SE-107 remains latched until the reset switch is pressed or the supply voltage is cycled. The ground-check circuit is non-latching and does not require a reset. Terminals are provided for remote indication and reset as shown in Fig. 1.

For the latching ground-check (Option L), the GROUND CHECK LED is red and it indicates a latched ground-check trip.

2.4 FUSING

The output contact is protected by fuse F1 (4.0 A, time delay). The ground-check circuit is protected by fuse F2 (0.5 A, time delay).

3. INSTALLATION

3.1 SE-107

SE-107 outline and mounting details are shown in Fig. 2. Typical connections are shown in Fig. 1. Connect supply voltage to L1 and L2. For a 120-Vac supply, connect supply neutral to L2. For a direct-current supply (Option D), connect supply negative to L2. Connect chassis-bonding terminal ⊕ to ground.

Connect contact terminals A and B as required.

Faceplate LED's are driven in series with remote-indication LED's. When a remote kit is not used, terminals CI, +, and GI must be connected for the faceplate LED's to operate. These jumpers are installed at the factory.

Connect terminal GC to the outgoing ground-check conductor and connect terminal G to ground. To meet electrical code requirements, do not jumper chassis-bonding terminal ⊕ to terminal G.

Install the upper terminal-block cover to prevent inadvertent contact with line terminals.

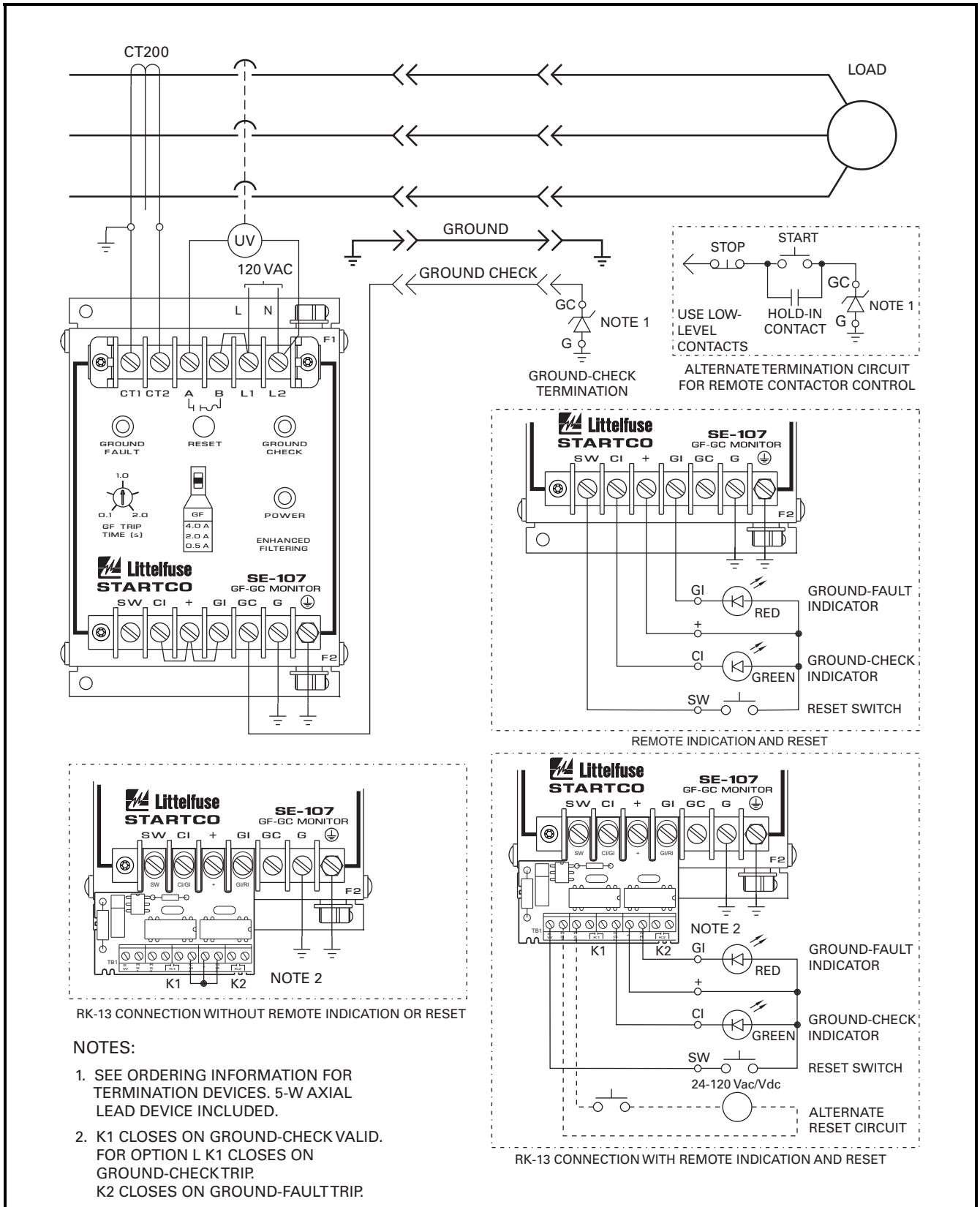


FIGURE 1. Typical Application.

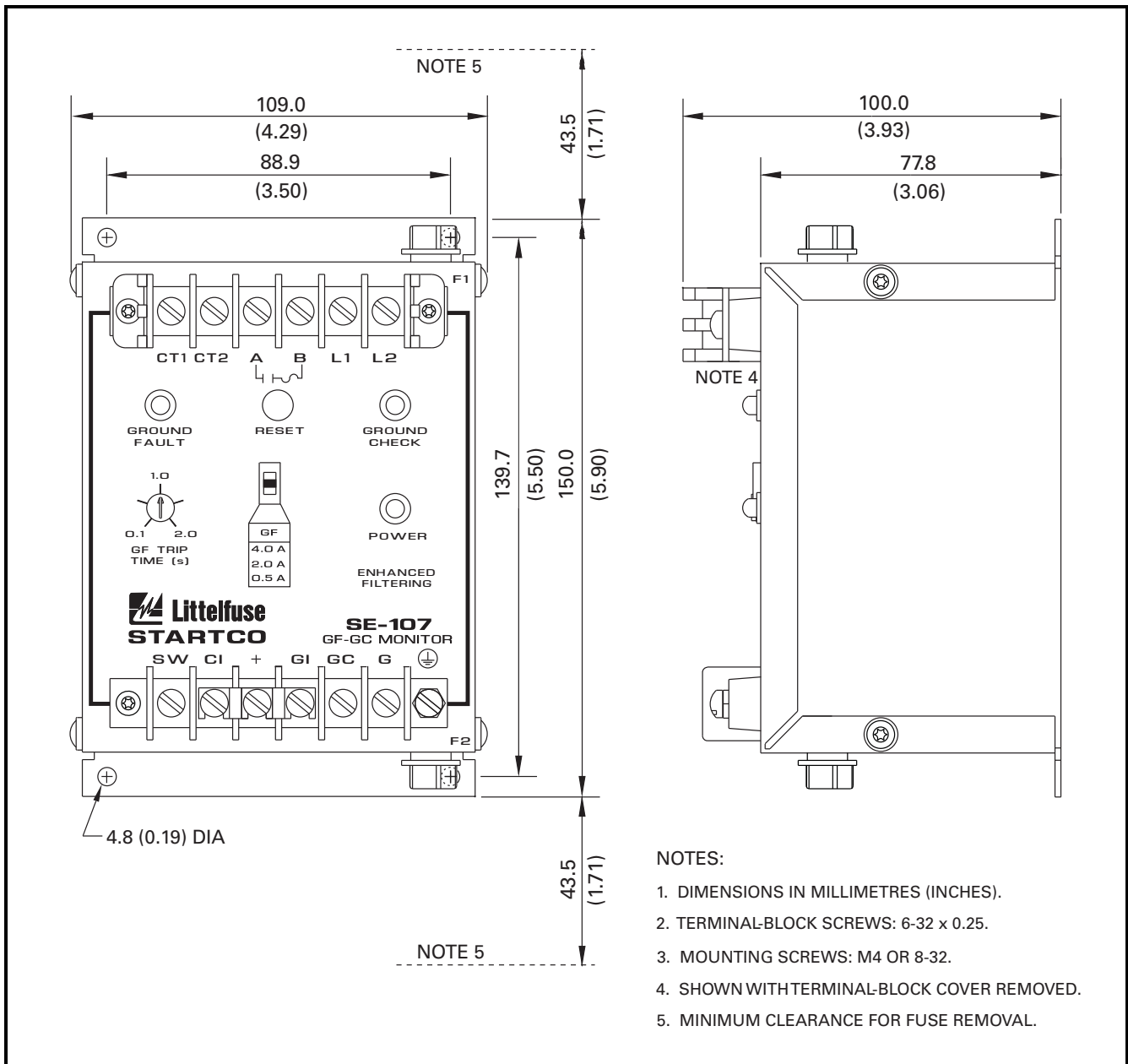


FIGURE 2. SE-107 Outline and Mounting Details.

3.2 GROUND-FAULT CT

Outline and mounting details for CT200 and CT200L current transformers are shown in Fig. 3. Pass the phase conductors through the CT window as shown in Fig. 1. Do not pass the ground or ground-check conductors through the CT. In applications that require shields or drain wires to pass through the CT, return them through the CT before connecting them to ground.

Connect the secondary of the ground-fault CT to SE-107 terminals CT1 and CT2. The CT connection to the SE-107 is not polarity sensitive. Ground one side of the CT secondary.

NOTE: The CT200 and CT200L are 600-V-rated current transformers. When system voltage is above 600 V, ensure conductors passed through the sensor window are insulated to system voltage.

3.3 GROUND-CHECK TERMINATION

Install the ground-check termination at the load to complete the ground-check loop as shown in Fig. 1. Termination outlines and mounting details are shown in Figs. 4, 5, and 6. Use only a Littelfuse Startco termination device; others may not meet performance requirements. Connect terminal G of the termination to the equipment frame so that the ground-conductor-to-equipment-frame connection is included in the monitored ground-check loop. Connect terminal GC of the termination to the incoming ground-check conductor.

If ground-check interlocks are used, low-level (bifurcated, precious-metal, or sealed-reed) contacts are recommended.

If used as a ground-fault monitor only, install the termination at the SE-107.

3.4 REMOTE OPERATION

Terminals SW, CI, +, and GI are provided for remote LED indication and remote reset as shown in Fig. 1. Remote LED's are driven in series with the front-panel LED's.

Remove factory-installed jumpers from terminals CI, +, and GI, and connect a remote kit as shown in Fig. 1. Optional remote kits are shown in Figs. 7, 8, and 9. Standard LED indicator lamps are not compatible with the SE-107.

For general-purpose applications, use the RK-105 Remote Indication-and-Reset Assembly or the RK-105I Remote Indication Assembly. Connect terminals SW, CI, +, and GI to remote-kit terminals SW, CI/RI, +, and GI.

For 22-mm-component applications, use the RK-102 Remote Indication and Reset Kit. Connect terminal X2 of the green ground-check indicator to CI, terminal X2 of the red ground-fault indicator to GI, and connect indicator X1 terminals to +. For remote reset, connect the normally open push-button switch across terminals + and SW.

If indication is required from a separate voltage source, or if separate ground-fault and ground-check contacts are required, use an RK-13 Relay Interface Module. The RK-13 mounts on the SE-107 lower terminal block and is compatible with the RK-102, RK-105 and RK-105I. See Figs. 1 and 10. Contact K1 closes when the GC LED is on and contact K2 closes when the GF LED is on.

3.5 PARALLEL-PATH ISOLATION

A PPI-600V can be used for parallel-path rejection. A PPI-600V will also eliminate intermachine arcing and prevent stray ac and dc currents from flowing in the monitored ground wire. See Figs. 11 and 12. See Technical Note GC-10 "Parallel Path Isolator" at www.littelfuse.com/relayscontrols, or contact Littelfuse Startco for application details.

3.6 GROUND-FAULT TESTING

Use CT-primary current injection to test the ground-fault circuit. Fig. 13 shows test circuits using the SE-400 Ground-Fault-Relay Test Unit and the SE-100T Ground-Fault-Relay Tester. The SE-400 has a programmable output of 0.5 to 9.9 A for a duration of 0.1 to 9.9 seconds. The SE-100T has LO and HI outputs for 5- and 15-A resistance-grounded systems.

A test-record form is provided in Section 8 of this manual. Record the test results and test dates on this form to meet the requirements of the National Electrical Code (NEC). Retain the form so that the test data can be made available to the authority having jurisdiction.

4. COMPATIBILITY

The SE-107 is a direct replacement for the SEL-100, SEL-100TD, SE-101, SE-102, SE-103, and SE-105 in fail-safe applications. Terminal designations are shown in Table 1.

Terminals CT1 and CT2 are transformer isolated so that the CT secondary can be grounded. Units with old designations do not allow the secondary of the ground-fault CT to be grounded when the ground-check circuit is used.

TABLE 1. TERMINAL DESIGNATIONS

OLD DESIGNATION	SE-105/SE-107 DESIGNATIONS
CT	CT1
CT	CT2
(RELAY)	A
(RELAY)	B
L	L1
N	L2
SW	SW
PL	CI
+	+
GL	GI
P	GC
G	G

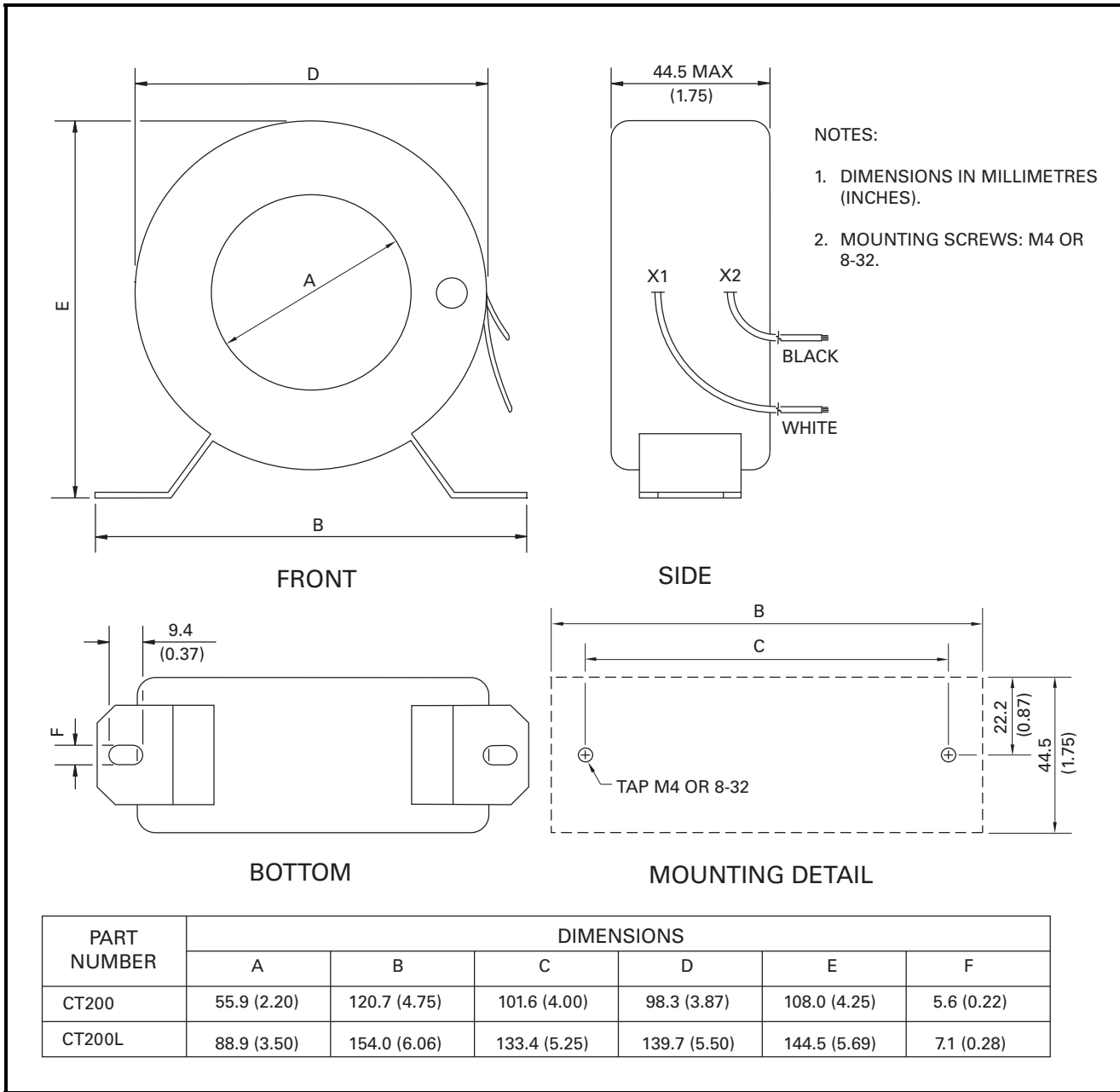


FIGURE 3. Current Transformers.

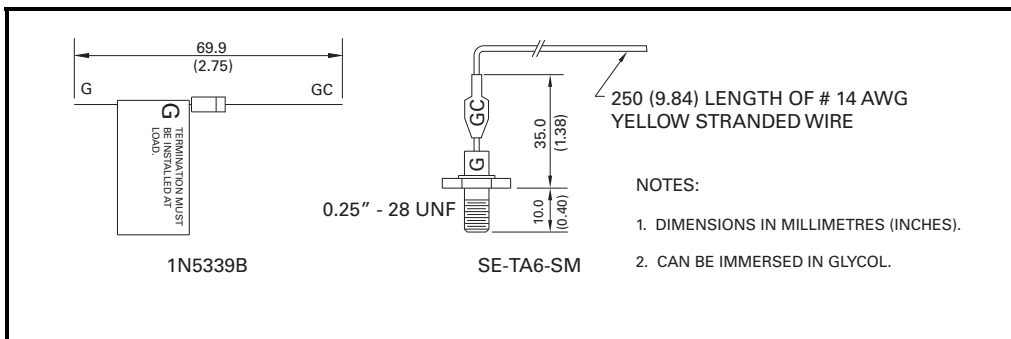


FIGURE 4. Zener-Diode Termination Devices.

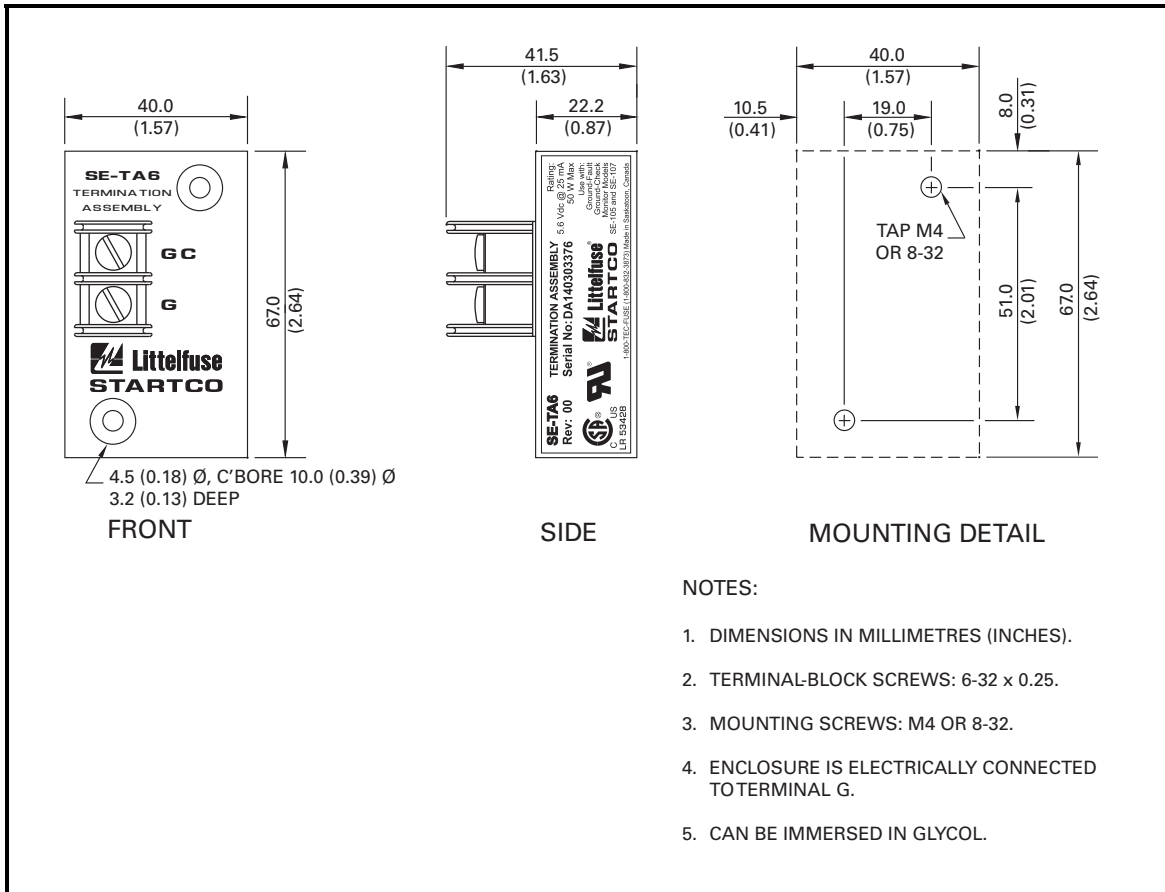


FIGURE 5. SE-TA6 Termination Assembly.

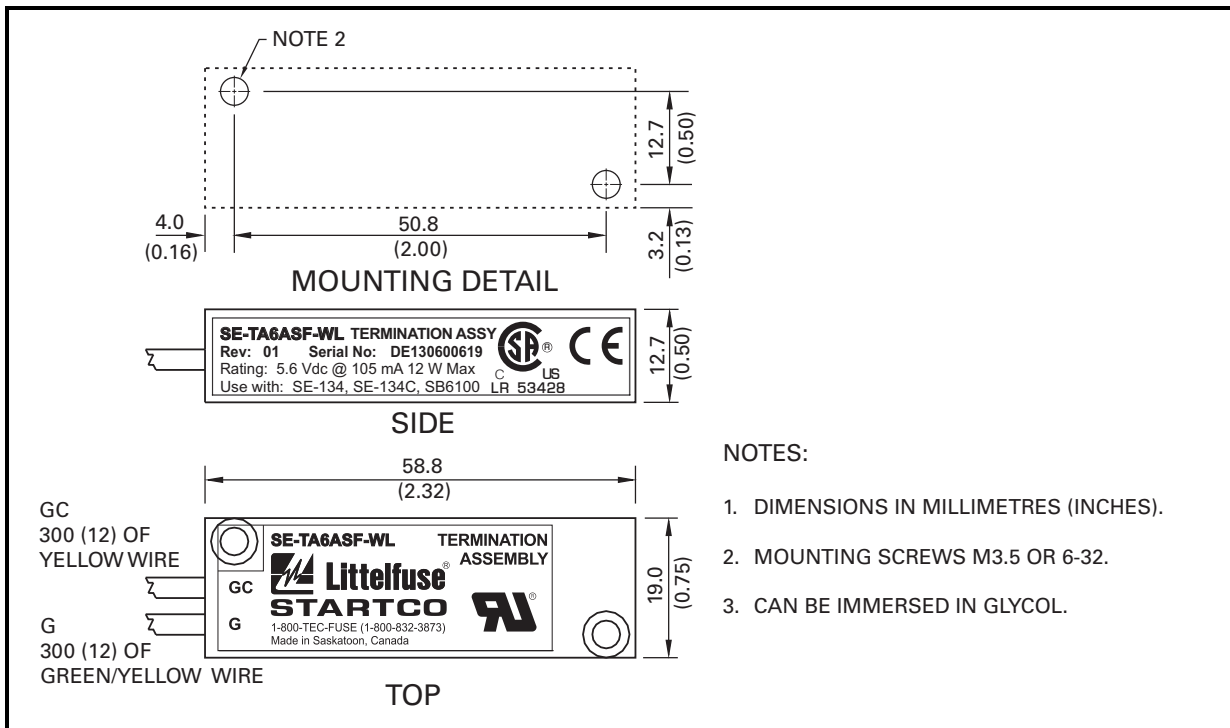


FIGURE 6. SE-TA6ASF-WL Small-Format Termination Assembly with Wire Leads.

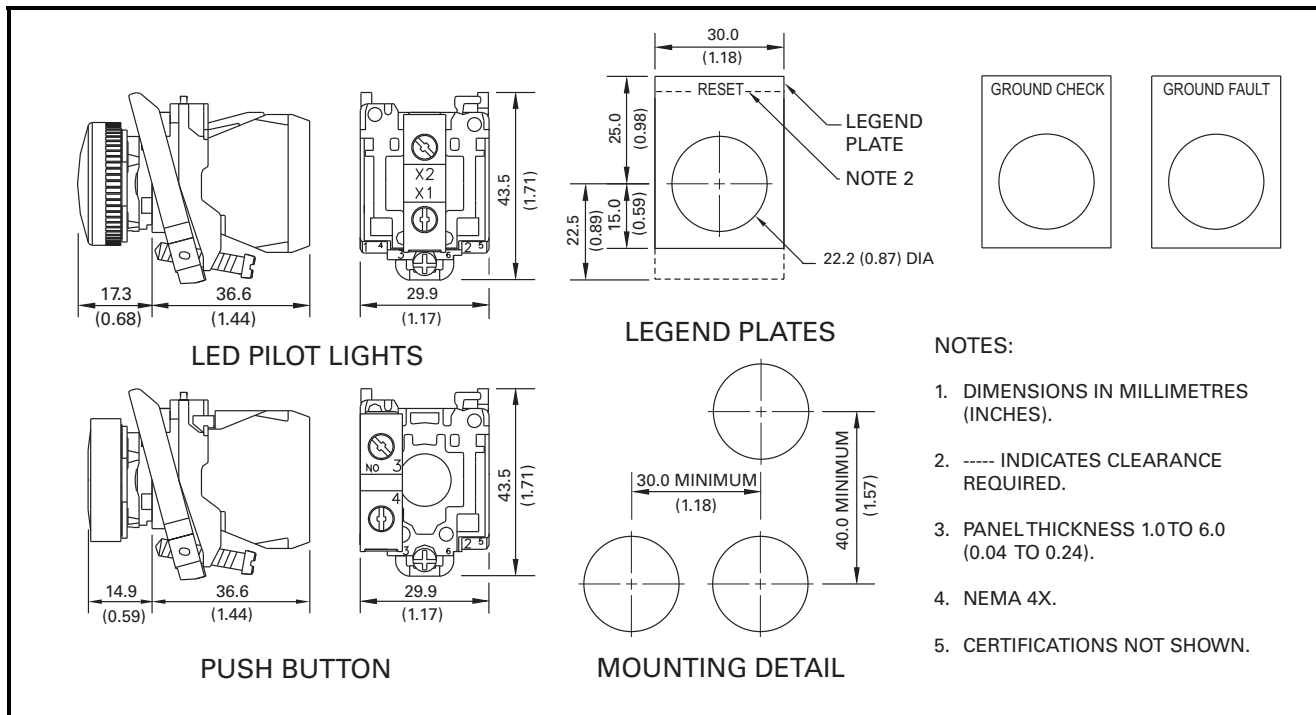


FIGURE 7. RK-102 Remote Indication and Reset Kit.

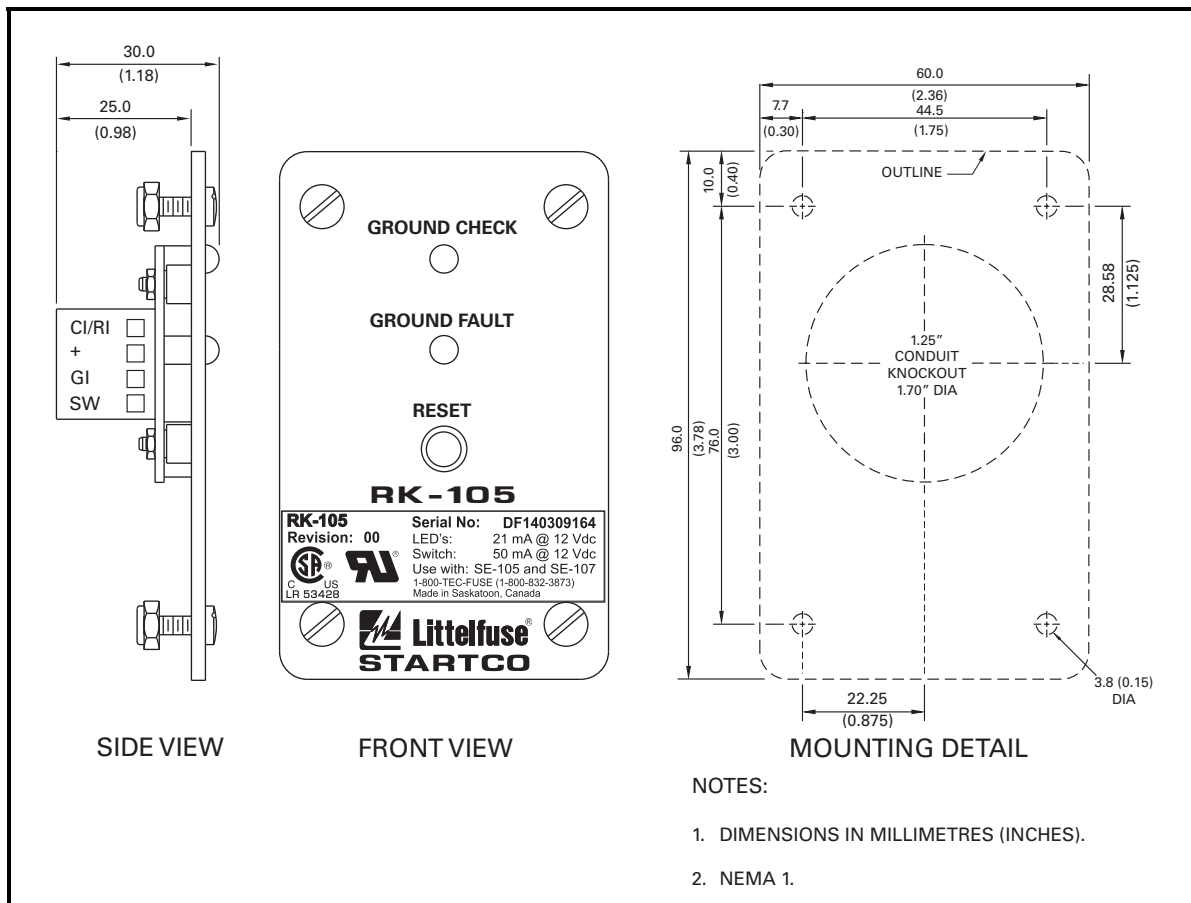


FIGURE 8. RK-105 Remote Indication-and-Reset Assembly.

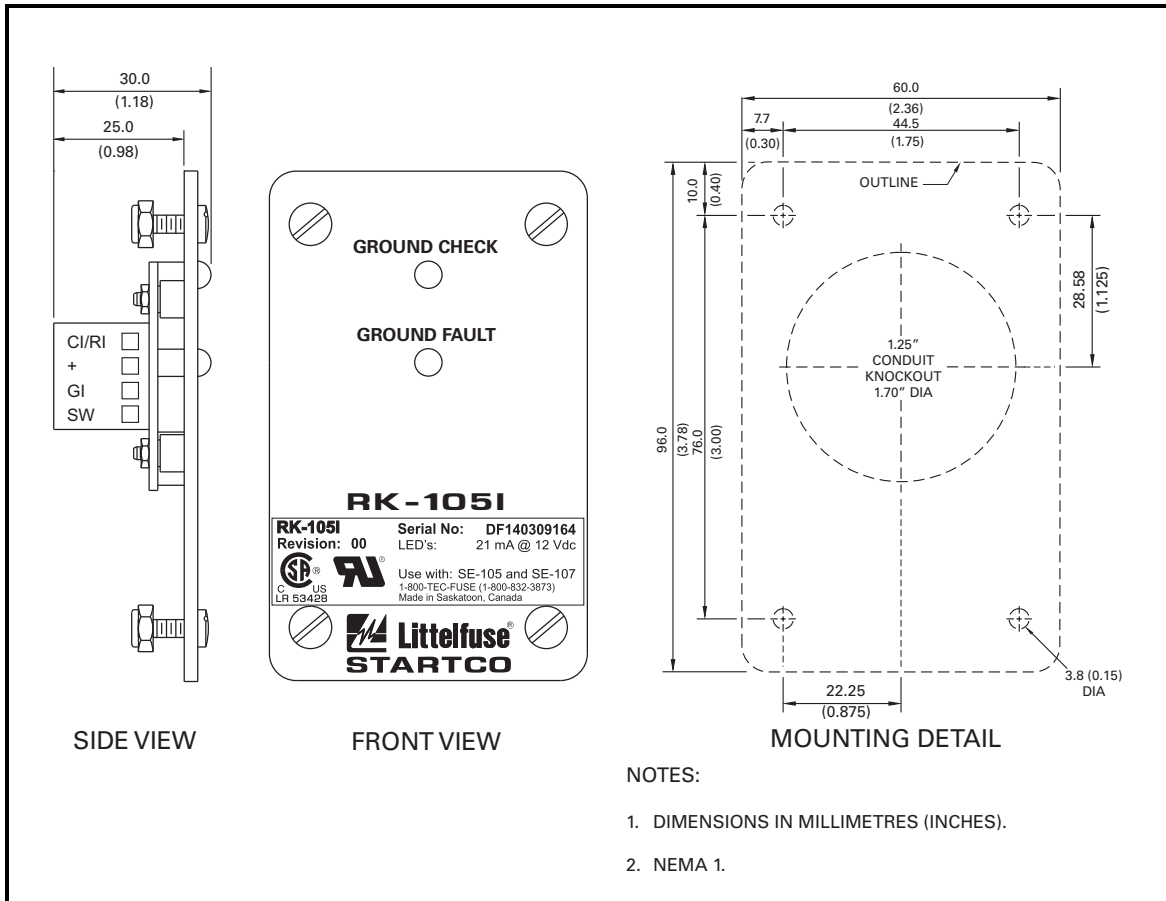


FIGURE 9. RK-105I Remote Indication Assembly.

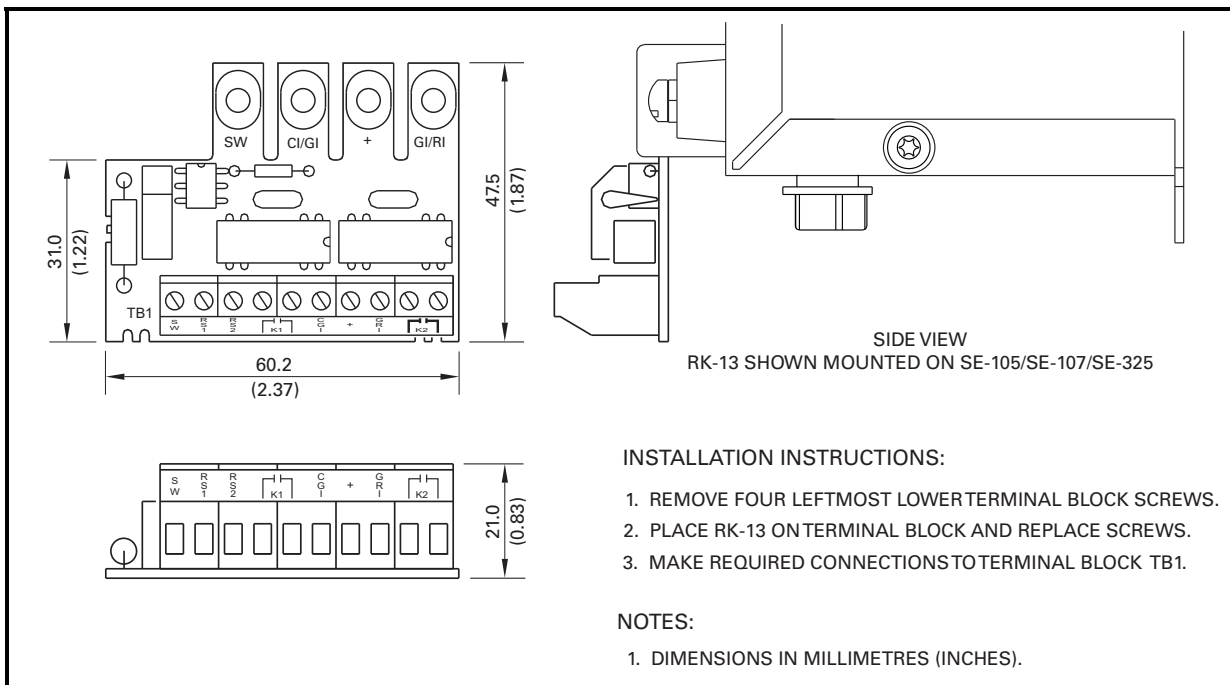


FIGURE 10. RK-13 Relay Interface Module.

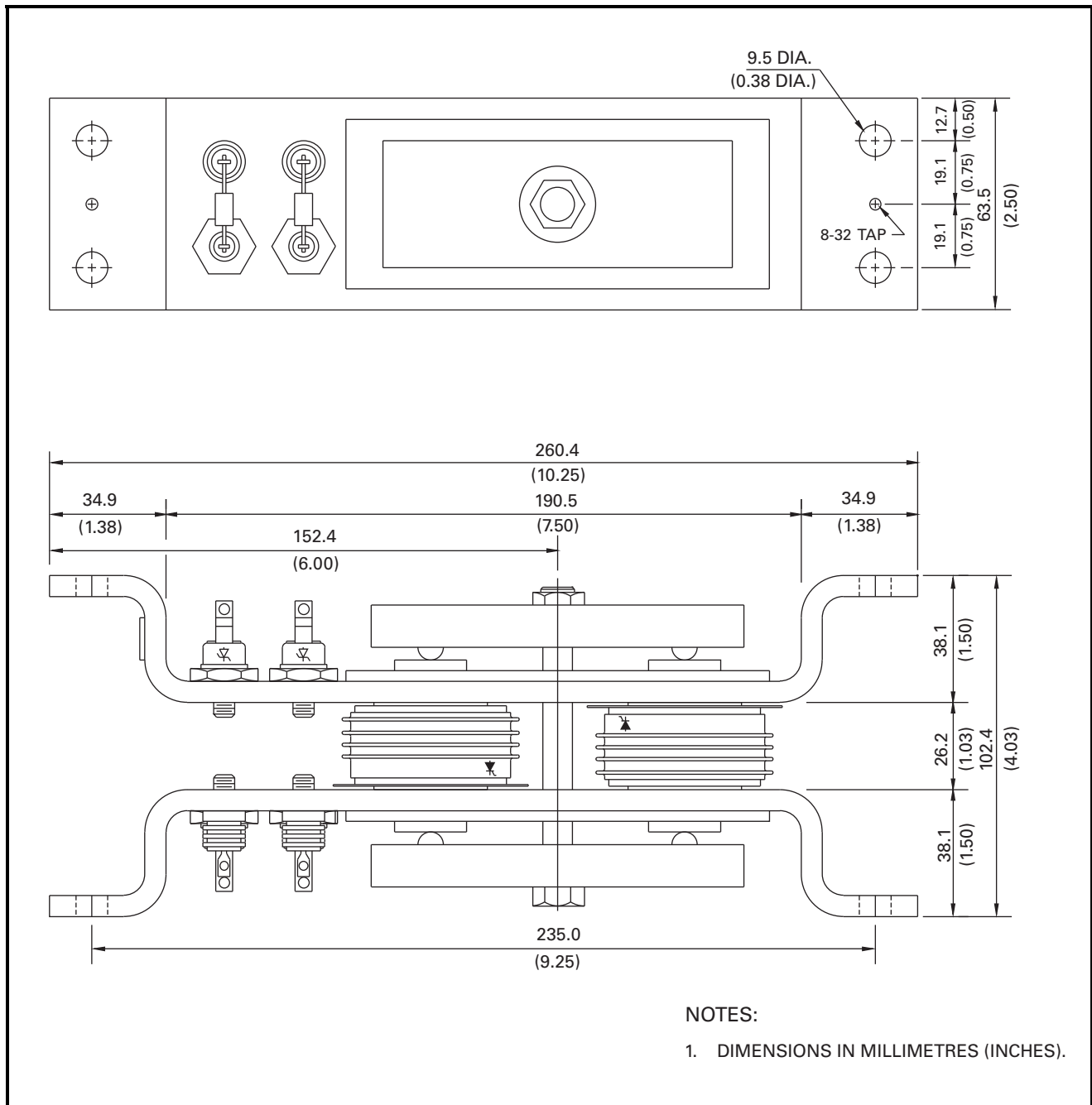
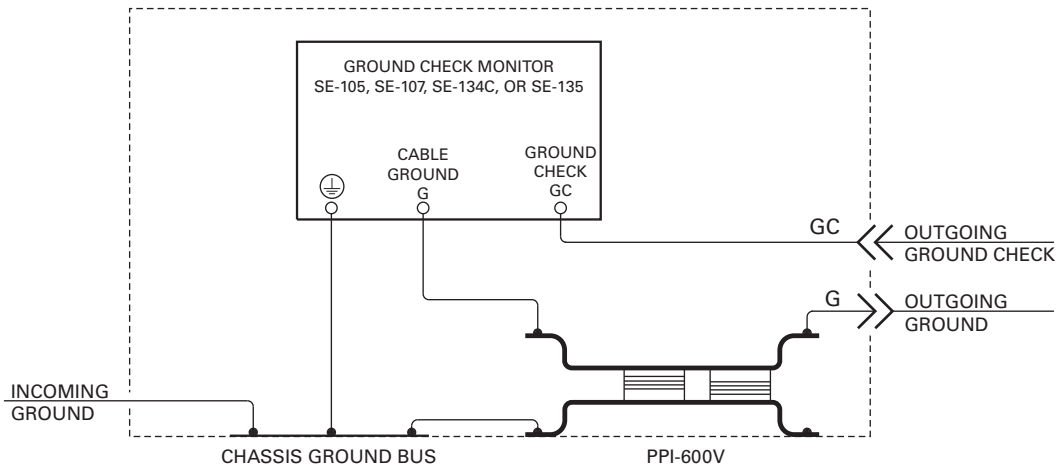


FIGURE 11. PPI-600V Parallel-Path Isolator.



NOTES:

1. THE PARALLEL-PATH ISOLATOR IS NOT POLARIZED. EITHER FLANGE CAN BE CONNECTED TO CHASSIS.
2. THE OUTGOING GROUND MUST BE ISOLATED FROM THE CHASSIS GROUND BUS. IF A FLANGE-MOUNTED RECEPTACLE IS USED, VERIFY THAT THE FLANGE IS ISOLATED FROM THE GROUND PIN, AND
 - USE A MATING PLUG WITH A NON-METALLIC HOUSING, OR
 - ISOLATE THE FLANGE FROM THE CHASSIS IF THE MATING PLUG HAS A METALLIC HOUSING.
3. CABLE PLUGS AND RECEPTACLES WITH GROUNDED METAL HOUSING MUST BE ISOLATED FROM GROUND TO PREVENT PARALLEL GROUND PATHS.
4. FOR SYSTEMS ABOVE 600 VAC, CONNECT A V131DA40 MOV ACROSS THE PPI-600V.

FIGURE 12. PPI-600V Typical Installation.

5. TECHNICAL SPECIFICATIONS

5.1 SE-107

Supply:

ac	10 VA, 120 or 240 Vac (+10, -45%), 50/60 Hz,
ac/dc	5 W, 120 Vdc (+40, -8%); 10 VA, 120 Vac (+10, -45%), 50/60 Hz,

NOTE: Voltage between supply terminals (L1, L2) and ground terminal (G) must not exceed 300 Vac continuous or 1,250 Vac under transient conditions.

Dimensions:

Height	150 mm (5.9")
Width	109 mm (4.3")
Depth	100 mm (4.0")

Shipping Weight..... 1 kg (2.2 lb)

Environment:

Operating Temperature.....	-40 to 60°C (-40 to 140°F)
Storage Temperature.....	-55 to 80°C (-67 to 176°F)
Humidity	85% Non-Condensing

Ground-Fault Circuit:

CT Ratio	200:5
CT Input Burden.....	0.02 Ω
Trip Level ⁽¹⁾	0.5, 2.0, or 4.0 A
Frequency Response.....	25 to 110 Hz
Trip Time.....	0.1 to 2.0 s Adjustable
Thermal Withstand ⁽¹⁾	200 A Continuous, 2,500 A for 2 s
Trip-Level Accuracy.....	+10, -20%
CT Lead Resistance Limit ⁽²⁾	
0.5 A Trip Level.....	2 Ω
2 A Trip Level.....	5 Ω
4 A Trip Level.....	5 Ω
Trip-Time Accuracy	10%
Trip Mode	Latching

Ground-Check Circuit:

Open-Circuit Voltage	12 Vdc
Output Impedance.....	240 Ω
Nominal Loop Current.....	25 mA
Induced-ac Withstand.....	25 Vac Continuous, 120 Vac for 3 s
Fuse Rating (F2).....	0.5 A, 250 Vac, Time Delay
Fuse Part Number	Littelfuse 313.500 or Bussman MDA-1/2, MDL-1/2
Pull-in Filter.....	Chopper Rejection
Pull-in Time.....	1.5 s
Trip Time.....	0.2 s (GC open), 0.5 s (GC to G short)

Trip-Time Accuracy.....	+10, -30%
GC-Loop	
Trip Resistance ⁽³⁾	40 ± 10 Ω
Operating Mode.....	Non-Latching, Latching with Option L

Output Relay:

CSA/UL Contact Ratings ...	1 mA to 4 A Resistive, 240 Vac or 28 Vdc
----------------------------	---

Supplemental Contact Ratings:

Make/carry 0.2 s	10 A
Carry continuous	4 A

Break:

dc	20 W Resistive, 10 W Inductive (L/R = 0.04 s)
ac.....	960 VA Resistive, 700 VA Inductive (PF = 0.4)

Subject to maximums of 4 A and 240 V (ac or dc).

Contact Configuration

Fuse Rating (F1).....

Fuse Part Number.....

Operating Mode.....

Remote Indication:

+.....	12 Vdc
GI/CI	Current Sink, 560 Ω Internal

Optional RK-13 Module:

Contact Ratings	0.08 A, 120 V (ac or dc) 0.50 A, 24 Vdc
Contact Configuration.....	N.O. (Form A)
Reset Input.....	24 to 120 V (ac or dc), Isolated

PWB Conformal Coating..... MIL-1-46058 qualified,
UL QMJU2 recognized

Certification..... CSA, Canada and USA



UL Listed



Australia⁽⁴⁾



N11659

FCC



NOTES:

- (1) Currents referred to primary of CT200 for prospective ground-fault currents less than 4,000 A.
- (2) Typical maximum CT lead resistance to meet specified trip level accuracy.
- (3) The GROUND CHECK LED may flash when the GC-loop trip resistance is near the trip level.
- (4) Applicable only on 240 Vac Supply (Option E in the ordering information).

5.2 CURRENT SENSORS

Environment:

Operating Temperature..... -40 to 60°C (-40 to 140°F)
Storage Temperature..... -55 to 80°C (-67 to 176°F)
Humidity..... 85% Non-Condensing

CT200:

Current Ratio 200:5 A
Insulation 600-V Class
Window Diameter 56 mm (2.2")
Shipping Weight..... 1 kg (2.2 lb)

CT200L:

Current Ratio 200:5 A
Insulation 600-V Class
Window Diameter 89 mm (3.5")
Shipping Weight..... 1 kg (2.2 lb)

5.3 TERMINATION ASSEMBLIES

SE-TA6:

Characteristic Zener Diode,
Unidirectional
Circuit Type..... High Current Shunt
Regulator
Reverse Voltage..... 5.6 ± 0.3 Vdc @ 25 mA
Forward Voltage..... 0.65 ± 0.1 Vdc @ 25 mA
Operating Temperature -40 to 60°C (-40 to 140°F)
Power Rating 50 W
Screw Terminal 6-32 x 0.25"
Dimensions 67 x 40 x 41.5 mm
(2.6 x 1.6 x 1.6")
Shipping Weight..... 200 g (0.45 lb)

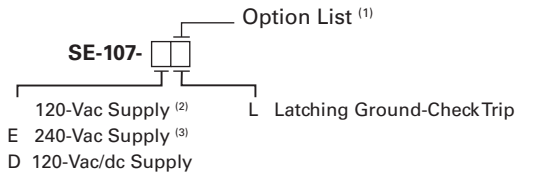
SE-TA6ASF-WL:

Characteristic..... 6-V Zener, Temperature
Compensated
Circuit Type..... High-Current Shunt
Regulator
Reverse Voltage 5.6 ± 0.03 Vdc @ 100 mA
Forward Voltage..... 0.5 ± 0.1 Vdc @ 100 mA
Operating Temperature..... -40 to 60°C (-40 to 140°F)
Current Range 2 mA to 15 A
Maximum Clamping
Voltage 55 V @ 250 A,
5x20 µs Pulse
Power Rating 12 W
Wire Leads 18 AWG (0.82 mm²),
300 mm (11.8")
Dimensions..... 58.8 x 19 x 12.7 mm
(2.32 x 0.75 x 0.5")
Shipping Weight..... 45 g (0.1 lb)

SE-TA6-SM:

Characteristic..... Zener Diode,
Unidirectional
Circuit Type..... High Current Shunt
Regulator
Reverse Voltage 5.6 ± 0.3 Vdc @ 25 mA
Forward Voltage 0.65 ± 0.1 Vdc @ 25 mA
Operating Temperature -40 to 60°C (-40 to 140°F)
Power Rating 50 W
Screw Terminal 0.25" – 28 UNF
Dimensions:
Body 45 mm
Wire Lead..... 250 mm (9.84"),
14 AWG (2.08 mm²)
Shipping Weight 45 g (0.1 lb)

6. ORDERING INFORMATION



Each SE-107 is supplied with a 1N5339B termination device.

(1) List options required in order shown above.

(2) Standard, leave blank.

(3) Only Supply option available with C-Tick certification.

Ground-Fault CT's:

CT200.....	56 mm (2.2") window
CT200L.....	89 mm (3.5") window

Ground-Check Termination:

1N5339B	5-W Axial Lead
SE-TA6.....	50-W Assembly
SE-TA6-SM.....	50-W Stud-Mount Termination Assembly
SE-TA6ASF-WL.....	12-W Small-Format Termination Assembly with Wire Leads

Remote Indication and Reset:

RK-102	Includes two LED pilot lights, a reset push button, and legend plates
RK-105	Indication-and-Reset Assembly
RK-105I.....	Indication Assembly
RK-13	Relay Interface Module

Parallel-Path Isolator:

PPI-600V	For system voltages up to 600 Vac
----------------	--------------------------------------

7. WARRANTY

The SE-107 Ground-Fault Ground-Check Monitor is warranted to be free from defects in material and workmanship for a period of five years from the date of purchase.

Littelfuse Startco will (at Littelfuse Startco's option) repair, replace, or refund the original purchase price of an SE-107 that is determined by Littelfuse Startco to be defective if it is returned to the factory, freight prepaid, within the warranty period. This warranty does not apply to repairs required as a result of misuse, negligence, an accident, improper installation, tampering, or insufficient care. Littelfuse Startco does not warrant products repaired or modified by non-Littelfuse Startco personnel.

**APPENDIX A
SE-107 REVISION HISTORY**

MANUAL RELEASE DATE	MANUAL REVISION	PRODUCT REVISION (REVISION NUMBER ON PRODUCT LABEL)
May 7, 2015	5-C-050715	04
April 29, 2015	5-B-042915	
September 11, 2014	5-A-091114	03

MANUAL REVISION HISTORY

REVISION 5-C-050715

SECTION 5

FCC certification added.
Updated Fuse F1 part number.
Sections 5.2 and 5.3 added.

APPENDIX A

Revision history updated.

REVISION 5-B-042915

SECTION 5

Updated Fuse F1 part number.

APPENDIX A

Revision history updated.

REVISION 5-A-091114

SECTION 3

Updated Fig. 1.

SECTION 4

Updated Figs. 5, 6, 8, and 9.

SECTION 5

Updated RK-13 contact ratings.
Updated notes.

APPENDIX A

Revision history added.

PRODUCT REVISION HISTORY

REVISION 04

Minor hardware change.

REVISION 03

No change.

This page intentionally left blank.