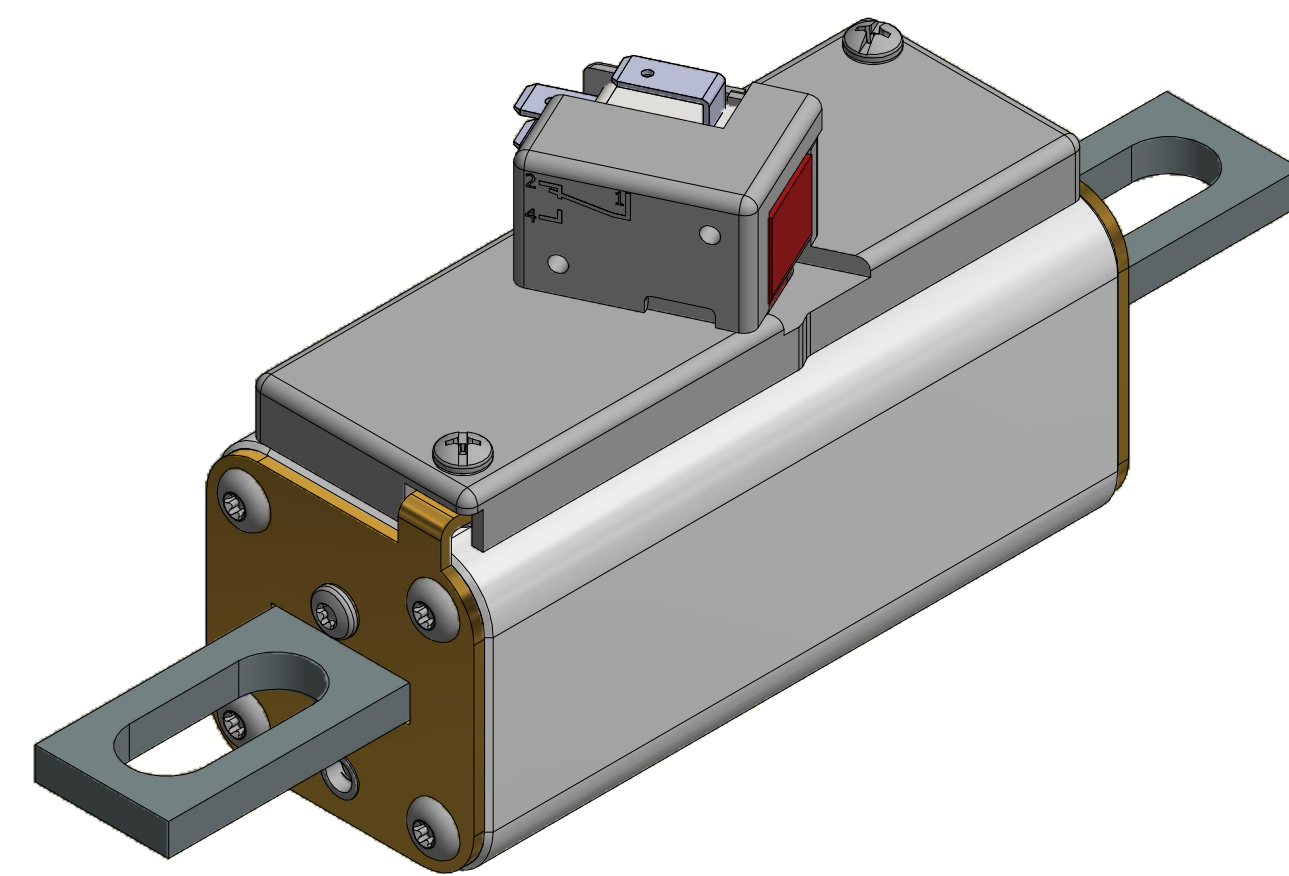
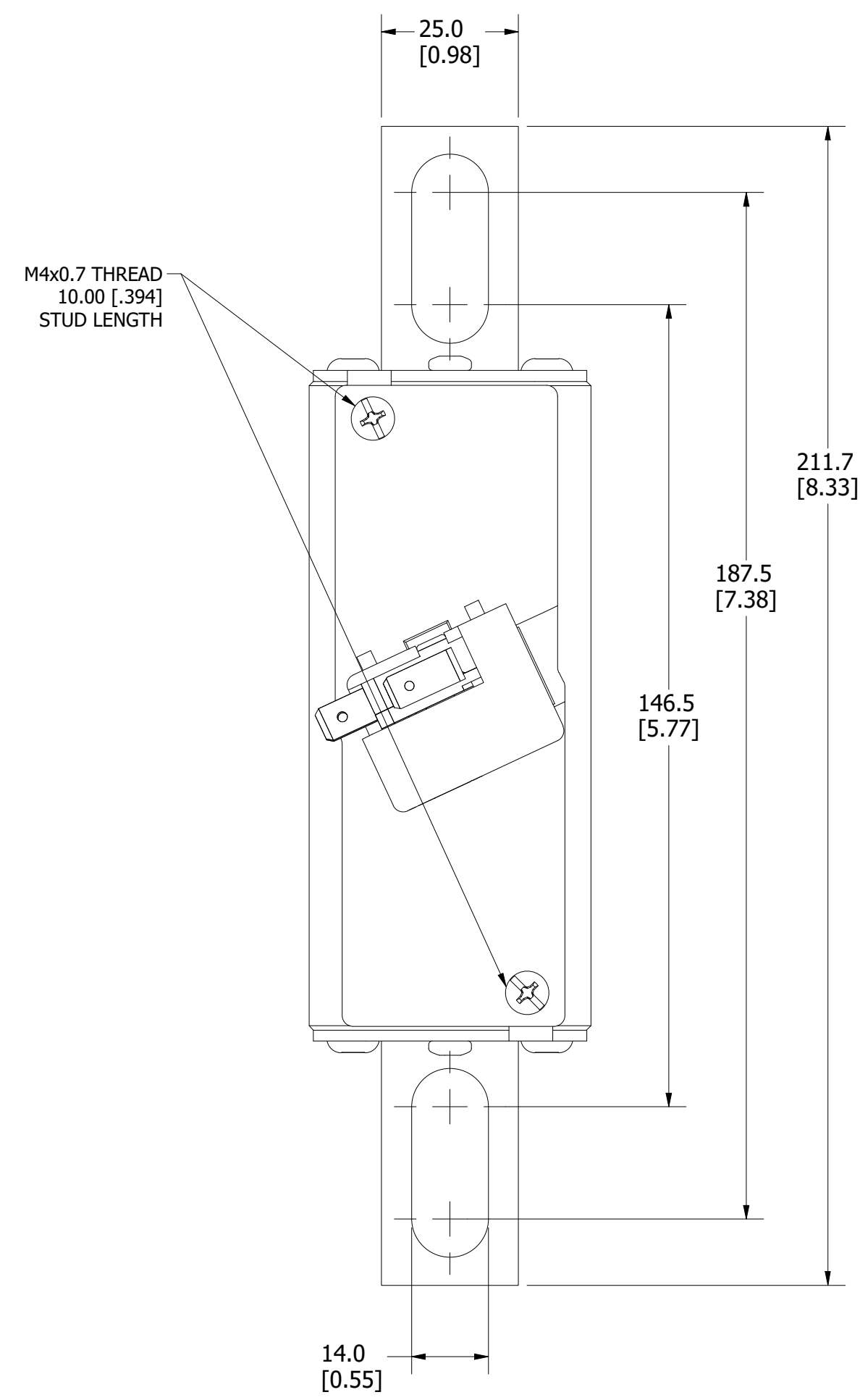


MOUNTING SPECS:

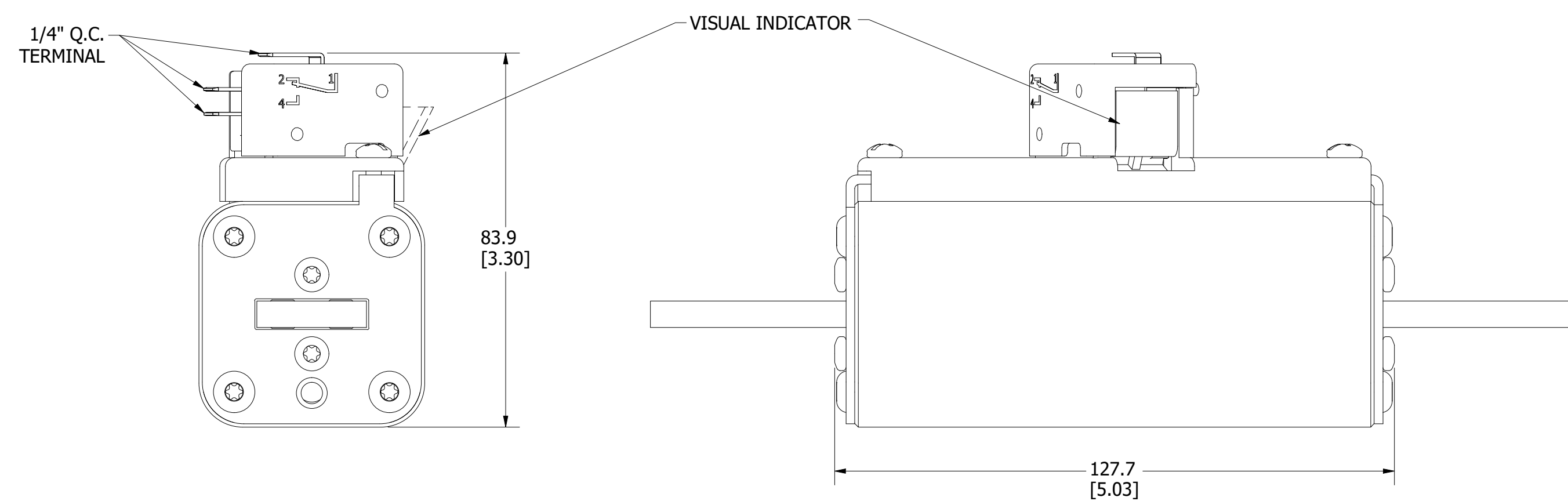
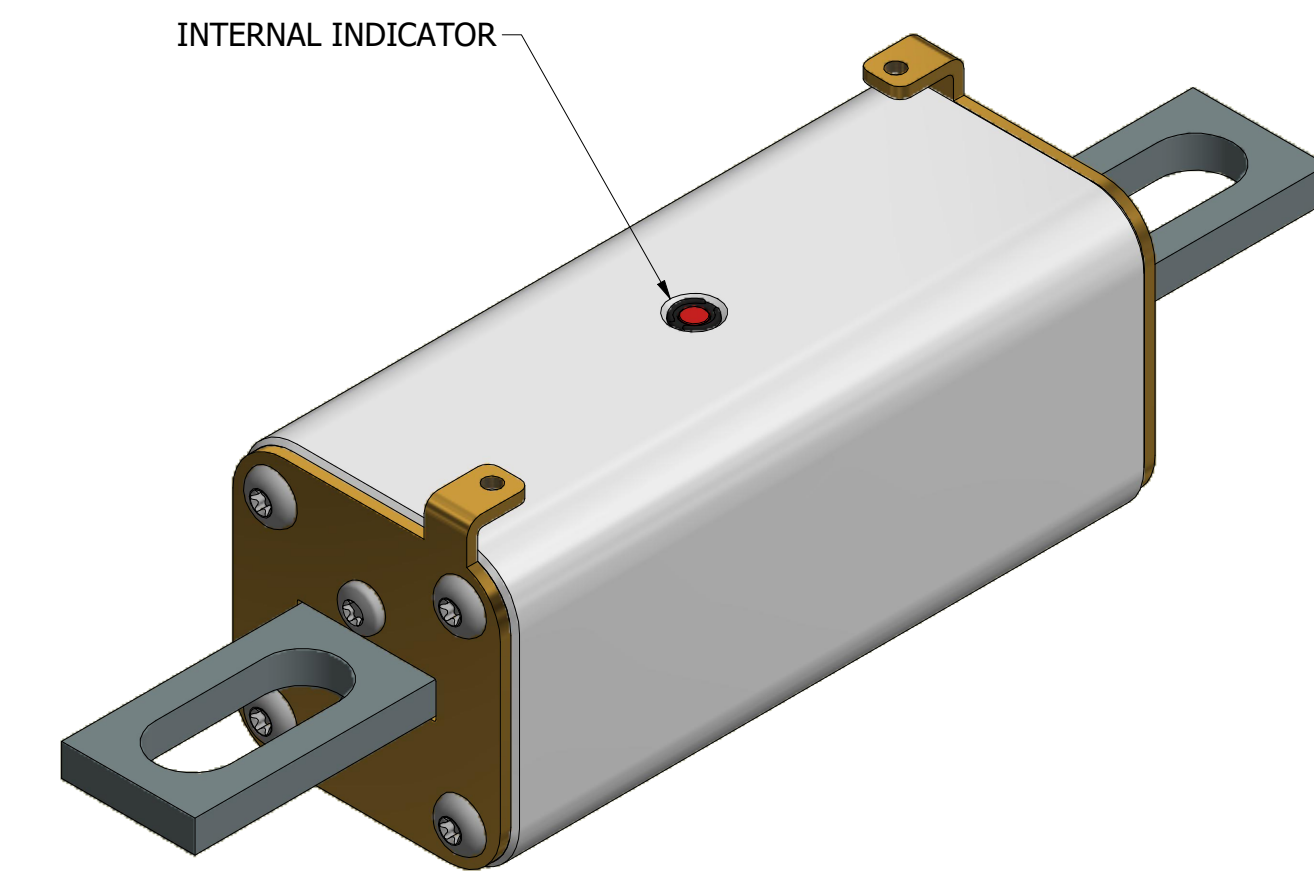
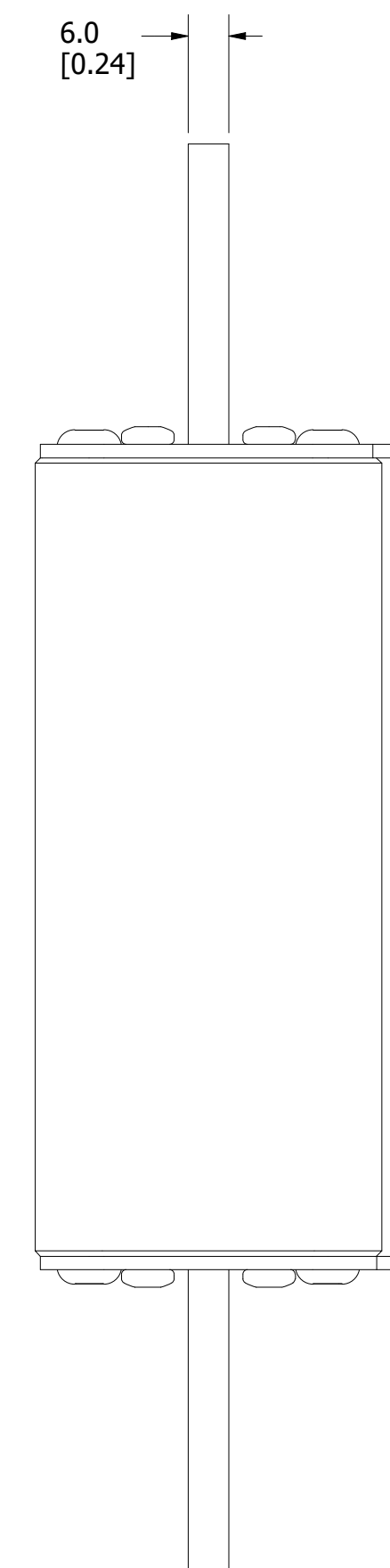
RECOMMENDED FASTENER: M12 OR 1/2"
TIGHTENING TORQUE (REFERENCE ONLY): 64Nm

| REV | DATE | REVISION DESCRIPTION |
|-----|----------|--|
| A | 4/20/20 | 522234GCP - RELEASE MRY |
| B | 10/25/23 | 526838ECP/D - ADD VIEW W/O MICROSWITCH MRY |

FUSE WITH MICROSWITCH

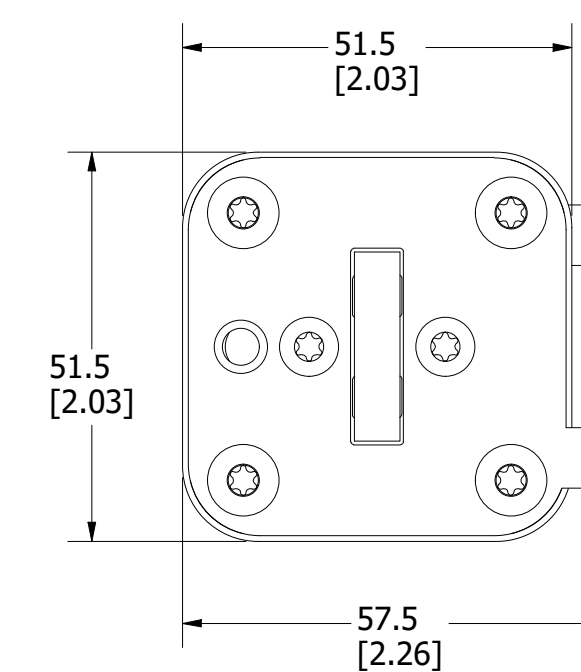


FUSE



FUSE WITH MICROSWITCH

FOR REFERENCE ONLY



| | | | |
|---|--|--------------------------|----------------------------|
| <S> | CRITICAL CHARACTERISTIC FOR PART SAFETY/COMPLIANCE | | |
| ● | DENOTES CRITICAL CHARACTERISTICS. | | |
| CPK | DENOTES CPK DIMENSIONS, -MINIMUM CPK VALUE | | |
| Ⓢ | DENOTES A CHARACTERISTIC THAT PROVIDES AN INDICATION OF PROCESS PERFORMANCE. PROCEDURE FOR MEASUREMENT AND TRACKING TO BE DEFINED IN LITTELFUSE INSPECTION INSTRUCTIONS. | | |
| CP | DENOTES CP DIMENSIONS, -MINIMUM CP VALUE MUST BE WITHIN THE DIMENSIONAL LIMITATIONS SHOWN ON DRAWING AND INITIALLY LOCATED TO ALLOW FOR MAXIMUM TOOL LIFE. | | |
| MATL SPEC | FINISH | | |
| DRW myork | DATE 4/14/2020 | SCALE NTS | FINISH GOOD WT GRAMS/PIECE |
| UNLESS OTHERWISE SPECIFIED, DIMENSIONS ARE IN MILLIMETERS, DIMENSIONS IN BRACKETS [] ARE INCHES DIMENSIONING AND DO NOT INCLUDE PLATING. TOLERANCING TO BE INTERPRETED IN ACCORDANCE WITH ANSI Y14.5M-1994 | | | |
| 3RD ANGLE PROJECTION | | | |
| TITLE | PSX SIZE 1XL BOLTED (UB) FUSE OUTLINE | | |
| | REVISION B | DRWG NO. OL-PSX1XLUB0000 | SHEET 1 OF 1 |