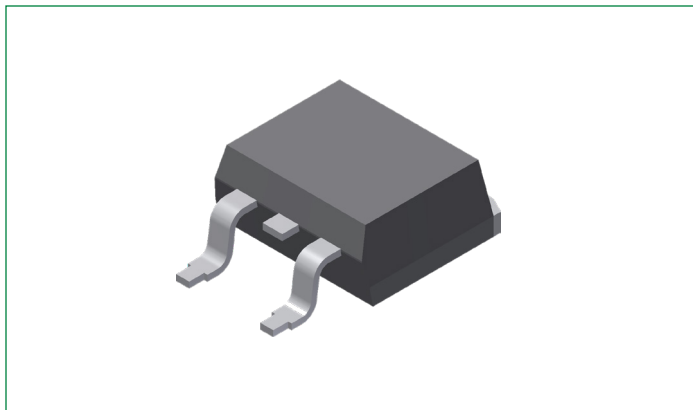


# DSS16-01AS

## 100 V, 16 A Schottky Rectifier Diode

RoHS

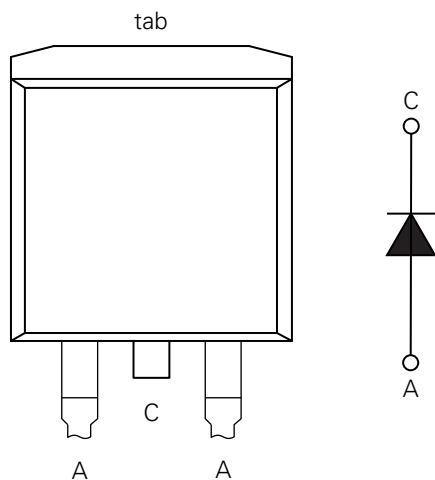
Pb



### Features:

- Very low  $V_f$
- Extremely low switching losses
- Low  $I_{rm}$  values
- Improved thermal behavior
- High reliability circuit operation
- Low voltage peaks for reduced protection circuits
- Low noise switching
- Terminals finish: 100% Pure Tin
- This is a Pb-free Device
- Epoxy meets UL 94V-0

### Pinout Diagram (TO-263AB)



**C:** Cathode; **A:** Anode; **tab:** Cathode

### Applications:

- Rectifiers in Switch Mode Power Supplies (SMPS)
- Free wheeling diode in low voltage converters

**Maximum Ratings** ( $T_A = 25^\circ\text{C}$  unless otherwise specified)

Symbol	Characteristics	Condition	Max.	Units
$V_{RRM}$	Peak Repetitive Reverse Voltage	-	100	V
$V_{RWM}$	Working Peak Reverse Voltage			
$V_R$	DC Blocking Voltage			
$I_{F(AV)}$	Average Rectified Forward Current	50% duty cycle @ $T_C=155^\circ\text{C}$ , rectangular wave form	16	A
$I_{FSM}$	Peak One Cycle Non-Repetitive Surge Current (Per Leg)	10 ms, Half Sine pulse, $T_J=25^\circ\text{C}$	230	A
$P_{tot}$	Total power dissipation	$T_C = 25^\circ\text{C}$	105	W
$E_{AS}$	Non-repetitive avalanche energy	$I_{AS} = 10\text{A}$ , $L = 100\ \mu\text{H}$ , $T_J = 25^\circ\text{C}$	5	mJ
$I_{AR}$	Repetitive avalanche current	$V_A = 1.5$ , $V_R$ typ., $f = 1\ \text{kHz}$	1	A

**Electrical Characteristics** ( $T_A = 25^\circ\text{C}$  unless otherwise specified)

Symbol	Characteristics	Conditions	Typ.	Max.	Units
$V_{F1}$	Forward Voltage Drop (Per Leg) <sup>1</sup>	@ 16A, Pulse, $T_J = 25^\circ\text{C}$	-	0.83	V
$V_{F2}$		@ 16A, Pulse, $T_J = 125^\circ\text{C}$	-	0.65	V
$I_{R1}$	Reverse Current (Per Leg) <sup>1</sup>	@ $V_R = \text{rated } V_R$ , $T_J = 25^\circ\text{C}$	-	500	$\mu\text{A}$
$I_{R2}$		@ $V_R = \text{rated } V_R$ , $T_J = 125^\circ\text{C}$	-	5	mA
$C_T$	Junction Capacitance (Per Leg)	@ $V_R = 12\ \text{V}$ , $T_C = 25^\circ\text{C}$ $f_{SIG} = 1\text{MHz}$	334	-	pF

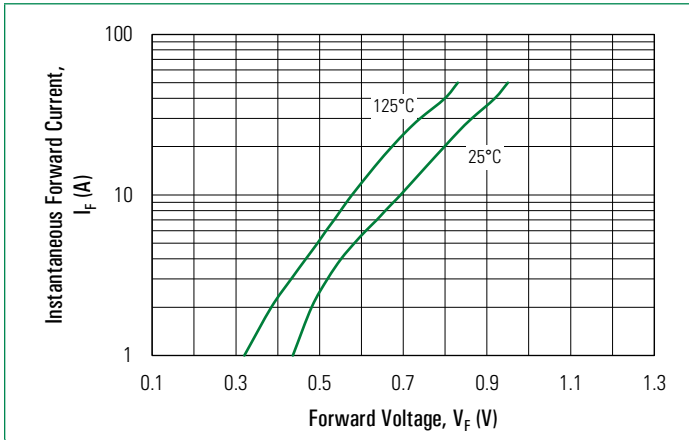
**Note 1:** Pulse width < 300  $\mu\text{s}$ , duty cycle < 2%

**Thermal-Mechanical Specifications**

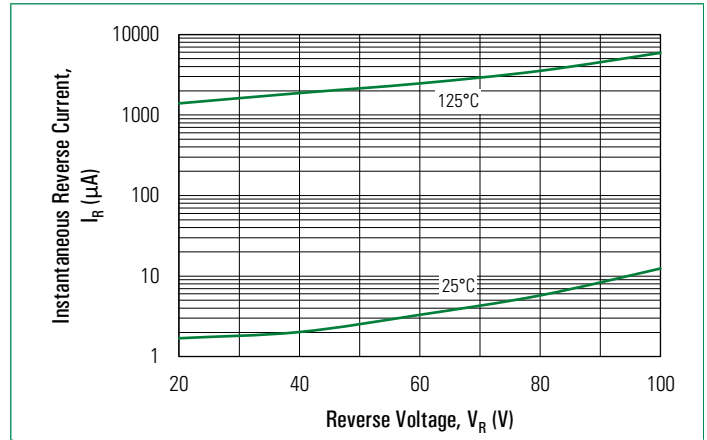
Symbol	Characteristics	Condition	Specification	Units
$T_J$	Junction Temperature	-	-55 to +175	$^\circ\text{C}$
$T_O$	Operation temperature	-	-55 to +150	$^\circ\text{C}$
$T_{stg}$	Storage Temperature	-	-55 to +150	$^\circ\text{C}$
$F_C$	Mounting force with clip	-	Min 20 Max 60	N
$R_{\theta JC}$	Maximum Thermal Resistance Junction to Case	DC operation	1.40	$^\circ\text{C}/\text{W}$
$R_{\theta CS}$	Typical Thermal Resistance Case to Heat Sink	-	0.25	$^\circ\text{C}/\text{W}$
wt	Approximate Weight	-	1.85	g

### Characteristic Curves

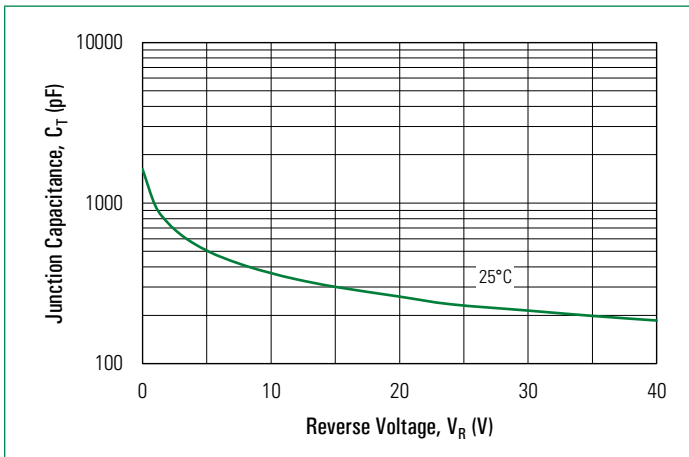
**Fig. 1. Typical Forward Characteristics**



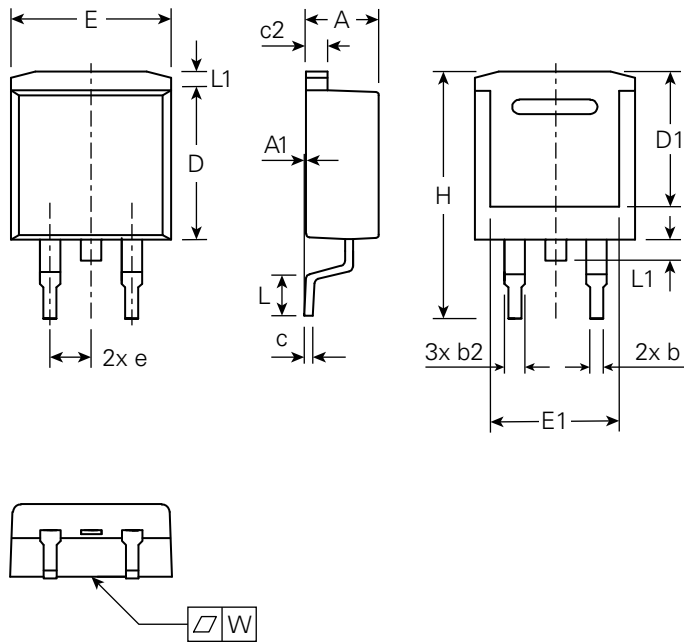
**Fig. 2. Typical Reverse Characteristics**



**Fig. 3. Typical Junction Capacitance**

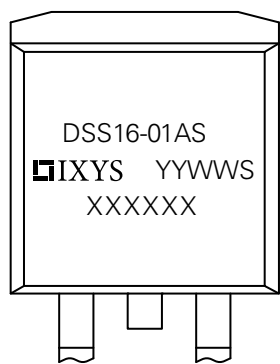


Part Outline Drawing (TO-263AB)



Symbol	Inches			Millimeters		
	Min.	Typical	Max.	Min.	Typical	Max.
A	0.16	–	0.19	4.06	–	4.83
A1	0	–	0.010	0	–	0.26
b	0.020	–	0.039	0.51	–	0.99
b1	0.045	–	0.070	1.14	–	1.78
c	0.012	–	0.029	0.31	–	0.74
c1	0.045	–	0.064	1.14	–	1.65
D	0.330	–	0.379	8.38	–	9.65
D1	0.251	–	–	6.40	–	–
E1	0.244	–	–	6.22	–	–
E2	0.379	–	0.420	9.65	–	10.67
e	0.100 BSC			2.54 BSC		
H	0.575	–	0.625	14.61	–	15.88
L	0.070	–	0.110	1.78	–	2.80
L1	–	–	0.066	–	–	1.68
L2	–	–	0.086	–	–	2.20
L3	0.010 BSC			0.255 BSC		

Part Number and Marking

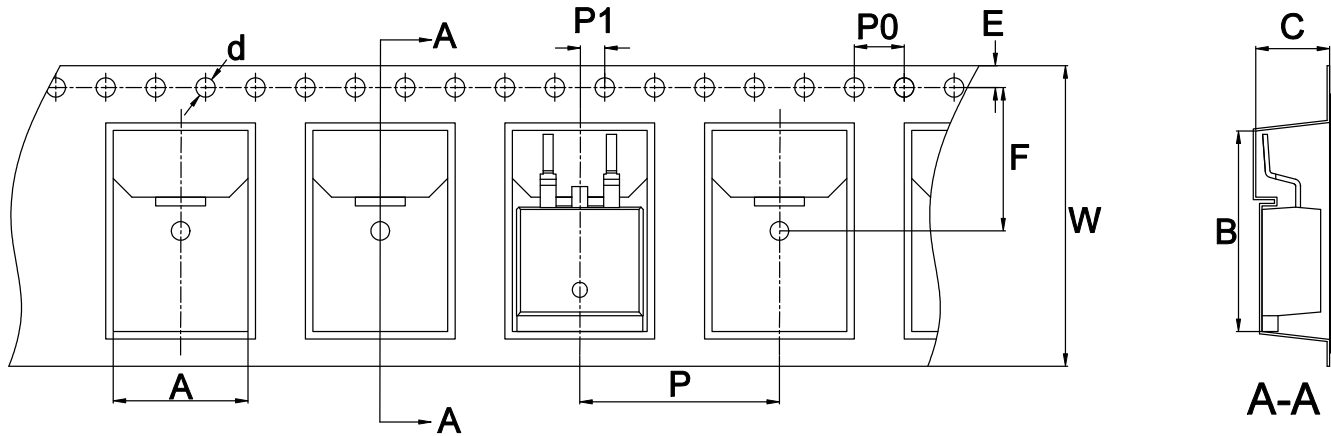


- D = Diode
- S = Schottky Diode
- S = Product Generation
- 16 = Current Rate
- 01 = Voltage Rating
- AS = Package Code
- YY = Year
- WW = Work Week
- S = Plant Location Code
- XXXXXX = Lot Number

Ordering Information

Part Number	Marking	Packing Mode	Quantity
DSS16-01AS-TRL	DSS16-01AS	Reel	800 pcs/ reel

## Carrier Tape Specification (TO-263AB)



Symbol	Inches			Millimeters		
	Min.	Typical	Max.	Min.	Typical	Max.
A	0.421	–	0.429	10.70	–	10.90
B	0.631	–	0.639	16.03	–	16.23
C	0.201	–	0.209	5.11	–	5.31
d	0.057	–	0.065	1.45	–	1.65
E	0.065	–	0.07	1.65	–	1.85
F	0.449	–	0.457	11.40	–	11.60
P0	0.153	–	0.161	3.90	–	4.10
P	0.626	–	0.664	15.90	–	16.10
P1	0.075	–	0.082	1.90	–	2.10
W	0.941	–	0.957	23.90	–	24.30

**Disclaimer Notice** - Information furnished is believed to be accurate and reliable. However, users should independently evaluate the suitability of and test each product selected for their own applications. Littelfuse products are not designed for, and may not be used in, all applications. Read complete Disclaimer Notice at <http://www.littelfuse.com/disclaimer-electronics>.