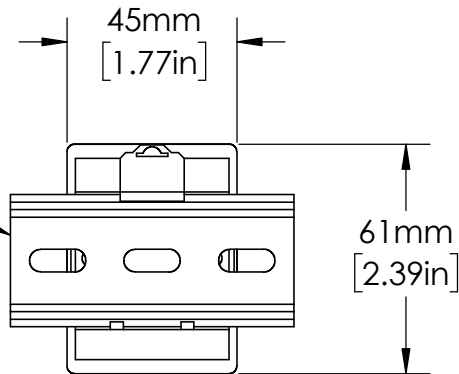


OT08PC
RELAY SOCKET

EN550022 (35.0 x 7.5)
DIN RAIL SHOWN



UNLESS NOTED OTHERWISE
DIMENSIONS ARE IN INCHES
TOLERANCES:
TWO PLACE DECIMAL ±0.05
NOT DRAWN TO SCALE

| | |
|---------------------------|------|
| MATERIAL | |
| NAME | DATE |
| DRAWN BY J.MOLER 02/06/23 | |



DESCRIPTION:
VOLTAGE MONITORING

PART NUMBER:
PLS SERIES

REV
A

WEIGHT: SHEET 1 OF 1