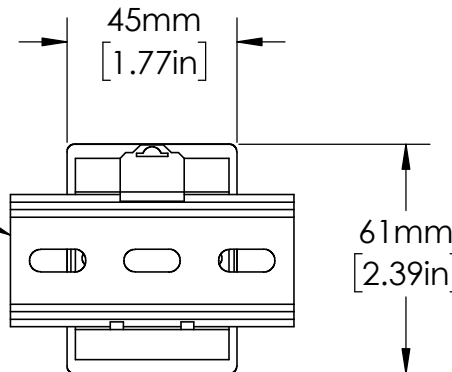


OT08PC
RELAY SOCKET

EN550022 (35.0 x 7.5)
DIN RAIL SHOWN



UNLESS NOTED OTHERWISE
DIMENSIONS ARE IN INCHES
TOLERANCES:
TWO PLACE DECIMAL ±0.05
NOT DRAWN TO SCALE

MATERIAL	
NAME	DATE
DRAWN BY J.MOLER 02/03/23	



DESCRIPTION: 3-PHASE VOLTAGE MONITORING	
PART NUMBER: PLR SERIES	REV A
WEIGHT:	SHEET 1 OF 1