

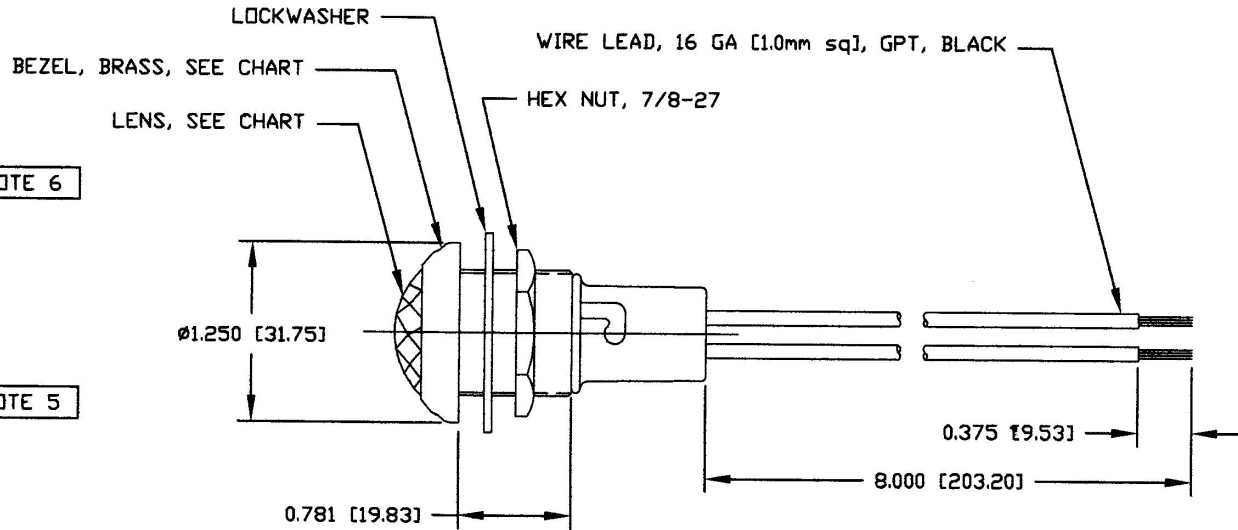
Revision Control Record

Rev.	Description of Change	ECN No.	Date
K	REVISED DRAWING	03678	11/03/03

PL-86-RD000	RED	24V (1252)	ZINC
PL-86-RC005	RED	12V (68)	BLACK
PL-86-RC004	RED	12V (68)	ZINC
PL-86-RC000	RED	12V (68)	ZINC
PL-86-RB000	RED	6V (64)	ZINC
PL-86-RA001	RED	NONE	BLACK
PL-86-RA000	RED	NONE	ZINC
PL-86-GD000	GREEN	24V (1252)	ZINC
PL-86-GC002	GREEN	12V (68)	BLACK
PL-86-GC001	GREEN	12V (68)	ZINC
PL-86-GC000	GREEN	12V (68)	ZINC
PL-86-GB000	GREEN	6V (64)	ZINC
PL-86-GA000	GREEN	NONE	ZINC
PL-86-CD000	CLEAR	24V (1252)	ZINC
PL-86-CC000	CLEAR	12V (68)	ZINC
PL-86-CB000	CLEAR	6V (64)	ZINC
PL-86-CA000	CLEAR	NONE	ZINC
PL-86-BD000	BLUE	24V (1252)	ZINC
PL-86-BC000	BLUE	12V (68)	ZINC
PL-86-BB000	BLUE	6V (64)	ZINC
PL-86-BA000	BLUE	NONE	ZINC
PL-86-AD000	AMBER	24V (1252)	ZINC
PL-86-AC001	AMBER	12V (68)	BLACK
PL-86-AC000	AMBER	12V (68)	ZINC
PL-86-AB000	AMBER	6V (64)	ZINC
PL-86-AA000	AMBER	NONE	ZINC
PT NO	LENS COLOR	BULB	BEZEL FINISH

NOTE 6

NOTE 5



- NOTES:
1. ALL STEEL PARTS PLATED
 2. ALL DIMENSIONS ARE REFERENCE ONLY
 3. WEATHERPROOF & EXPLOSIONPROOF GASKET SEALED CONSTRUCTION
 4. SEE CHART FOR ITEMS SUPPLIED WITH BULB ASSEMBLED
 5. SAME AS PL-86-GC000 LESS WIRE LEAD S-A'S
 6. SAME AS PL-86-RC000 LESS WIRE LEAD S-A'S

Tolerances. Unless otherwise specifically noted, the following are default tolerances:
 * 2-place Decimal Dimensions $\pm .02$ "
 * 3-place Decimal Dimensions $\pm .008$ "
 * Angular Dimensions ± 1.0 Deg.
 * Metric: Refer to equivalent English Dimensional Tolerance
 >>> NOTE: All tolerances are Non-Cumulative. <<<

Dimensional Units. All dimensions are expressed in inches except those shown in brackets (xxx) are expressed in millimeters

***NFE* or an Asterisk (*)** = Non-Toleranced Reference Dimension, shown for clarification purposes only.

PROPRIETARY INFORMATION. This Engineering Drawing, and the information contained herein, is proprietary to Cole Hersee Company and may not be disclosed, re-produced, or in any other way transferred or communicated to any other party without the express written consent of an authorized representative of Cole Hersee Company.

DESIGN CONTROL. It is the responsibility of the individual using / referencing this drawing to assure that the noted design revision level agrees with the revision level of the Controlled Document (Master Drawing). This is a NON-CONTROLLED DOCUMENT unless otherwise specifically noted.

DO NOT SCALE. Dimensional variation may occur during printing / reproduction.

Special Characteristics:

- ⊠ Critical Characteristic, relating to Safety and/or Regulatory Compliance
- X Significant Characteristic relating to Process Control (SPC)
- Ⓞ Control Dimension relating to Form - Fit - Function as defined by Cole Hersee Company and/or the Customer

(Note that the identification of any Characteristics as being "Special" does not alter the requirement that ALL specified dimensions & tolerances must be met.)

Cole Hersee Co.
 20 Old Colony Ave., South Boston, MA, 02127
 Phn: 617-288-2100 Web: www.colehersee.com

Description: **PILOT LIGHT**

Drawing / Part No.: **PL-86-CHART K**