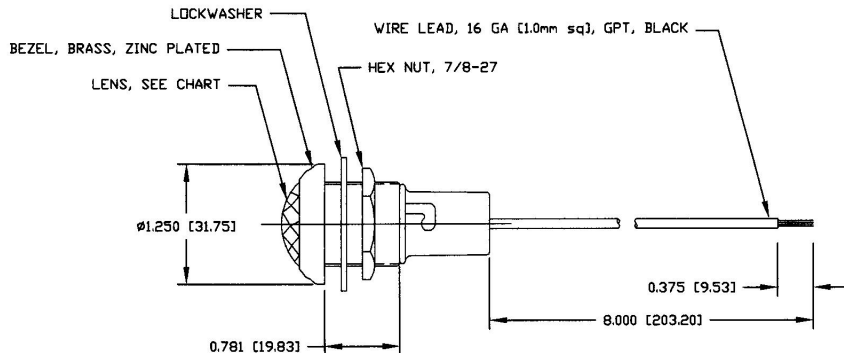


Revision Control Record

Rev.	Description of Change	ECN No.	Date
E	REVISED DRAWING	03701	12/17/03
F	CORRECT AMPS	04132	04/02/04



NOTES:

1. WEATHERPROOF GASKET SEALED CONSTRUCTION
2. ALL STEEL PARTS PLATED
3. ALL DIMENSIONS ARE REFERENCE ONLY
4. SEE CHART FOR ITEMS SUPPLIED WITH BULB ASSEMBLED
5. SOCKET ACCEPTS BA15s BASE BULB (SINGLE CONTACT BAYONET BASE)

PL	BEZEL	LENS	BULB
PL-85-RD000	RED	24V (1252)	(F)
PL-85-RC000	RED	12V (67)	
PL-85-RB000	RED	6V (64)	
PL-85-RA000	RED	NDNE	
PL-85-GD000	GREEN	24V (1252)	(F)
PL-85-GC000	GREEN	12V (67)	
PL-85-GB000	GREEN	6V (64)	
PL-85-GA000	GREEN	NDNE	
PL-85-CD000	CLEAR	24V (1252)	(F)
PL-85-CC000	CLEAR	12V (67)	
PL-85-CB000	CLEAR	6V (64)	
PL-85-CA000	CLEAR	NDNE	
PL-85-BD000	BLUE	24V (1252)	(F)
PL-85-BC000	BLUE	12V (67)	
PL-85-BB000	BLUE	6V (64)	
PL-85-BA000	BLUE	NDNE	
PL-85-AD000	AMBER	24V (1252)	(F)
PL-85-AC000	AMBER	12V (67)	
PL-85-AB000	AMBER	6V (64)	
PL-85-AA000	AMBER	NDNE	
PT NO	LENS COLOR	BULB	

Tolerances: Unless otherwise specifically noted, the following are default tolerances:

- 1. Unless Specified Dimensional $\pm .005"$
- 2. Unless Specified Dimensional $\pm .002"$
- 3. Unless Specified Dimensional $\pm .001"$
- 4. Angular Dimensional ± 0.1 Deg.
- 5. Metric: Refer to equivalent English Dimensional Tolerance
- 6. **NOTE:** All tolerances are Min-Plus/Minus, not Plus/Minus.

Dimensional Limits: All dimensions are expressed in inches unless noted otherwise in brackets (xxx) are expressed in millimeters.

NDNE - Not Dimensioned: Non-Toleranced Reference Dimension, shown for identification purposes only.

PROPRIETARY INFORMATION: This Engineering Drawing, and the information contained herein, is proprietary to Cole Horse Company and may not be disclosed, reproduced, or in any other way transmitted or communicated to any other party without the express written consent of an authorized representative of Cole Horse Company.

ASSEMBLY CONSTRUCTION: It is the responsibility of the individual user/manufacturer to ensure that the stated design system level agrees with the revision level of the referenced Document (Master Drawing). This is a **NON-COMPLIABLE DOCUMENT** unless otherwise specifically noted.

DO NOT SCALE: Dimensional variation may occur during printing/production.

Special Characteristics:

CC Critical Characteristics, relating to Safety and/or Regulatory Compliance

X Significant Characteristics relating to Process Control (SPC)

CC Critical Dimension relating to Form - Fit - Function as defined by Cole Horse Company and/or the Customer

Circle that the Identification of any Characteristics as being "Special" does not alter the requirement that ALL specified dimensions & tolerances must be met.

Used On or Ref:

Scale: **1:1**

Drawn By: **KG**

Date Drawn: **7/21/77**

Responsible Engineer: **NA**

Pg. 1 of 1

Cole Horse Co.
 20 Old Colony Ave., South Boston, MA, 02127
 Phone 617-266-8100 Web: www.colehorse.com

PILOT LIGHT

Drawing / Part No.: **PL-85-CHART** Current Rev.: **F**