

Revision Control Record

Rev.	Description of Change	ECN No.	Date
A	RELEASED DRAWING	11394	10/28/11

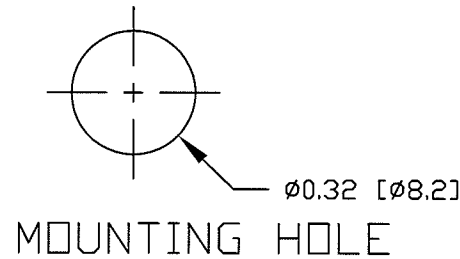
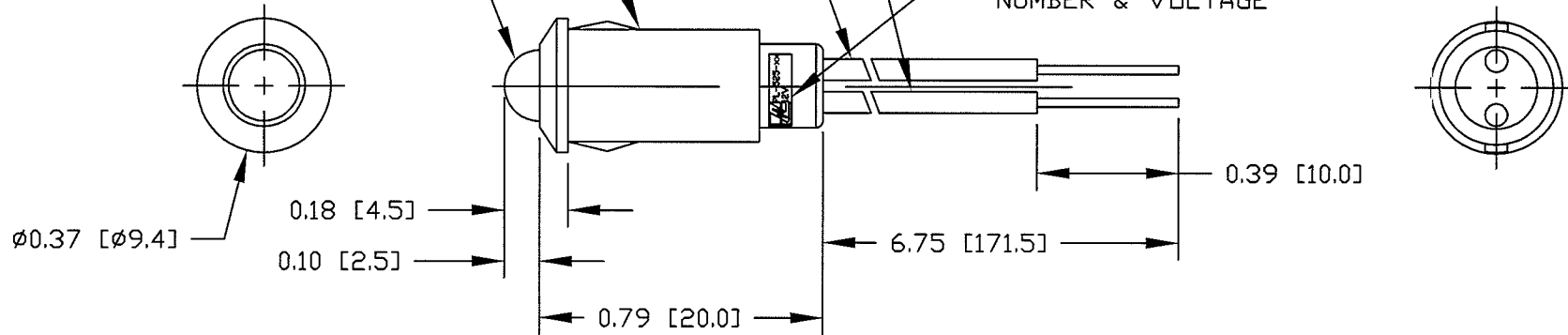
WIRE LEAD, 24 GA, [0.20 MM SQ],
PVC, YELLOW, UL-1007, NEGITIVE LEAD

WIRE LEAD, 24 GA, [0.20 MM SQ],
PVC, RED, UL-1007, POSITIVE LEAD

HOUSING, PLASTIC, BLACK

LENS, SEE CHART

LITTELFUSE LOGO, PART
NUMBER & VOLTAGE



- NOTES:
 1. POLARITY SENSITIVE
 2. RATING: 12Vdc
 3. ILLUMINATION: 500 LUX

PL-525-RC	RED
PL-525-GC	GREEN
PL-525-AC	AMBER
PT NO	LENS & LED COLOR

Tolerances Unless otherwise specifically noted, the following are default tolerances;

2-places +/- 0.02" **3-places** +/- 0.005" **Angular** +/- 1°

Metric: Shown in [] refers to equivalent English Dim Tol

"REF." or an Asterisk (*) = Non-Toleranced Reference Dimension, shown for clarification purposes only.

NOTE: All tolerances are Non-Cumulative.

PROPRIETARY INFORMATION
 This Engineering Drawing, and the information contained herein, is proprietary to Cole Hersee Company and may not be disclosed, re-produced, or in any other way transferred or communicated to any other party without the express written consent of an authorized representative of Cole Hersee Company.

Special Characteristics:

- CC Critical Characteristic, relating to Safety and/or Regulatory Compliance
- X Significant Characteristic relating to Process Control
- KC Control Dimension relating to Form - Fit - Function as defined by Cole Hersee Company and/or the Customer



Cole Hersee Co.

20 Old Colony Ave., South Boston, MA, 02127
 Phn: 617-268-2100 Web: www.colehersee.com

Description:

PILOT LIGHT, LED

Drawing / Part No.:

PL-525

Current Rev.:

A