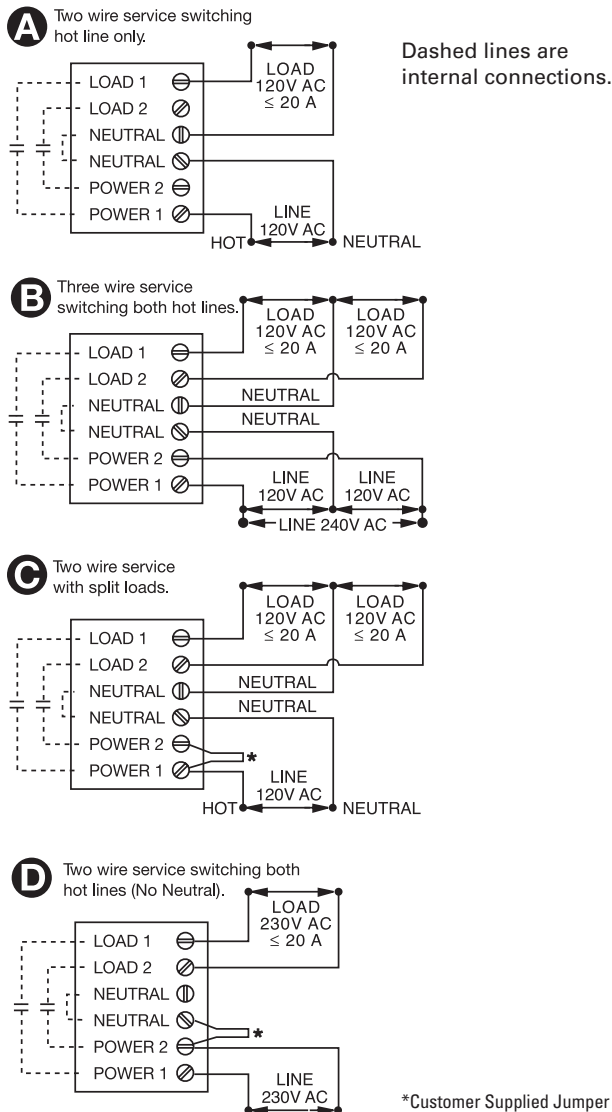


# PCR SERIES

## Photo Control



### Wiring Diagram



### Description

The PCR Series of photo controls is a combination of precision electronic circuitry, electromechanical output, and unique molded plastic housing. Designed and built to meet the demands of the most rigorous requirement of tower and obstruction lighting control, each unit is factory calibrated to meet FAA and FCC specifications. Electronic circuit, output contactor, and terminal block are all contained within front plastic housing. Edge support molded into the bottom edge of housing allows easy wiring of new and existing installations. Available with or without cast aluminum junction box.

### Operation

When the amount of light sensed falls below the actuation level for energization, the output relay energizes. Conversely, when the amount rises above the actuation level for de-energization, the output relay de-energizes.

### Features & Benefits

FEATURES	BENEFITS
<b>ABS plastic housing with gasket seal</b>	Withstands outdoor environmental hazards and protects circuitry from moisture damage
<b>Two 20A relay contacts</b>	Allows direct control of a lighting circuit without a separate contactor
<b>Fixed time delay</b>	Eliminates contact chatter
<b>Reliable photo sensor</b>	Provides automatic lighting circuit operation from dusk to dawn

### Ordering Information

MODEL	INPUT	DESCRIPTION	REPLACES	
			Hughey & Phillips	Crouse Hinds
PCR10	120VAC	Photo Control without aluminum box	n/a	n/a
PCR11	120VAC	Photo Control with aluminum box	S800PC120	52010
PCR12	230VAC	Photo Control without aluminum box	n/a	n/a
PCR13	230VAC	Photo Control with aluminum box	S800PC240	52010-1

## PCR SERIES

### Specifications

<b>Indication</b>	LED indicates power is applied
<b>Light Actuation Levels (Factory Calibrated)</b>	Energized: $\leq 35$ fc De-energized: $\geq 60$ fc
<b>Voltage</b>	120VAC or 230VAC
<b>AC Line Frequency</b>	50/60Hz
<b>Tolerance</b>	-20% - 10%
<b>120 &amp; 230VAC</b>	Two SPST NO 20A contacts
<b>Output Rating</b>	1 hp @ 120VAC 2.5 hp @ 240VAC
<b>Termination</b>	Screw terminals for up to #8 (M4 x 0.7) AWG wire
<b>Dimensions</b>	<b>H</b> 159.51 mm (6.28"); <b>W</b> 127 mm (5.0"); <b>D</b> 131.75 mm (5.19")
<b>Mounting</b>	ABS plastic housing with gasket seal. Multiple knockout holes for optional mounting to Crouse Hinds or Hughey & Phillips cast aluminum electrical boxes.
<b>Operating/Storage Temperature</b>	-40° to 60°C / -55° to 85°C