

# Single Function Relays

## SIR Series

### Solid-State Relay – Isolated



### Description

The solid-state SIR series relays are designed for industrial applications requiring rugged, reliable operation. These relays provide an optically-isolated, high-capacity, solid-state output with power switching capability up to 20 A steady state, 200 A inrush. The SIR2 zero voltage switching is intended for resistive and incandescent loads and can extend the life of an incandescent lamp up to 10 times. The SIR1 random switching is intended for inductive loads. When fully insulated female terminals are used on the connection wires, the system meets the requirements for touch-proof connections.

### Operation

The solid-state output is located between terminals 1 and 3 and is normally open or closed without control voltage applied to terminals 4 and 5. When control voltage is applied to terminals 4 and 5, the solid-state output opens or closes, respectively.

### Reset

Removing control voltage resets the output. The unit can also be reset if the output voltage is removed.

### Features & Benefits

FEATURES	BENEFITS
<b>Entirely solid-state and encapsulated</b>	No moving parts to arc and wear out over time Protects against shock, vibration, and humidity
<b>Up to 20 A, 200 A inrush output rating</b>	Provides direct control of heavy inductive, incandescent, or resistive loads
<b>Switching output is optically isolated from the control input</b>	Provides the ability to interface between 2 different electrical circuits
<b>SIR1 models – random switching</b>	Ideal for inductive loads
<b>SIR2 models – zero voltage switching</b>	Ideal for resistive and incandescent loads
<b>Metalized mounting surface</b>	Facilitates heat transfer in high-current applications

### Applications

- Inductive, resistive, and incandescent loads
- Industrial systems requiring rugged, reliable operation

# Single Function Relays

## SIR Series

### Specifications

#### Output

**Type** Optical isolation, totally solid state

**Form** SPST, NO or NC

**Voltage** 24, 120, or 230 V ac

**Tolerance** ±20%

<b>Ratings</b>	<b>Steady State</b>	<b>Inrush*</b>	<b>Output Device</b>
	3 A	30 A	Triac
	6 A	60 A	Triac
	10 A	100 A	Triac
	20 A	200 A	Triac

**Minimum Load Current** ≅ 50 mA

**Voltage Drop** ≅ 2.0 V at rated current

**Leakage Current (Open State)** ≅ 6 mA

#### Input

**Type Optical isolation** LED/photo transistor

**Control Voltage** 9 to 290 V ac/dc in 3 ranges

**Power Consumption** ≤ 0.5W

#### Protection

**Circuitry** Encapsulated

**Dielectric Breakdown** ≥ 2000 V RMS terminals to mounting surface

**Insulation Resistance** ≥ 100 MΩ

#### Mechanical

**Mounting\*** Surface mount with one #10 (M5 x 0.8) screw

**Dimensions** **H** 50.8 mm (2.0"); **W** 50.8 mm (2.0"); **D** 38.4 mm (1.51")

**Termination** 0.25 in. (6.35 mm) male quick connect terminals

#### Environmental

**Operating/Storage Temperature** -40 °C to 60 °C / -55 °C to 85 °C

**Humidity** 95% relative, non-condensing

**Weight** ≅ 3.9 oz (111 g)

\*Must be bolted to a metal surface using the included heat sink compound. The maximum mounting surface temperature is 90 °C. Inrush: Non-repetitive for 16 ms.

### Certification & Compliance

**UL Recognized**

File E57310 UL508

**CSA**

File LR057415

### Accessories

**P1015-13** (AWG 10/12), **P1015-64** (AWG 14/16), **P1015-14** (AWG 18/22) **Female Quick Connect**

These 0.25 in. (6.35 mm) female terminals are constructed with an insulator barrel to provide strain relief.

**P1015-18 Quick Connect to Screw Adapter**

Screw adapter terminal designed for use with all modules with 0.25 in. (6.35 mm) male quick connect terminals.

# Single Function Relays

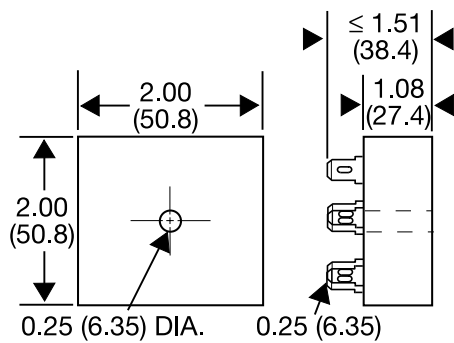
## SIR Series

### Ordering Information

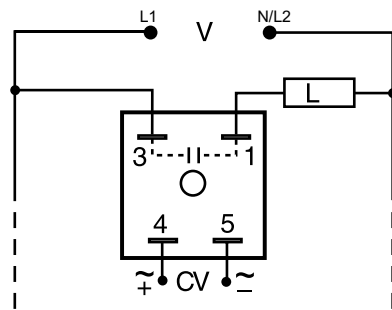
MODEL	SWITCHING	CONTROL VOLTAGE	RATING	OUTPUT FORM	OUTPUT VOLTAGE
SIR1B6B4	Random	90 to 150 V ac or dc	6 A	Normally closed	120 V ac
SIR2A20A4	Zero voltage	9 to 30 V ac or dc	20 A	Normally open	120 V ac
SIR2B20A4	Zero voltage	90 to 150 V ac or dc	20 A	Normally open	120 V ac
SIR2B20B4	Zero voltage	90 to 150 V ac or dc	20 A	Normally closed	120 V ac

If you don't find the part you need, call us for a custom product 800-843-8848

### Dimensions Inches (mm)



### Wiring Diagram

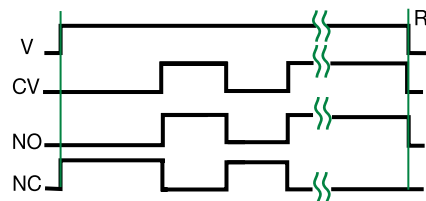


V = Voltage  
CV = Control Voltage  
L = Load

Load may be connected to terminal 3 or 1.

Note: Normally open output is shown. Normally closed output is also available.

### Function Diagram



V = Voltage  
CV = Control Voltage  
NO = Normally Open Contact  
NC = Normally Closed Contact  
R = Reset  
— = Undefined Time

**Disclaimer Notice** – Information furnished is believed to be accurate and reliable. However, users should independently evaluate the suitability of and test each product selected for their own applications. Littelfuse products are not designed for, and may not be used in, all applications. Read complete Disclaimer Notice at [www.littelfuse.com/product-disclaimer](http://www.littelfuse.com/product-disclaimer).