

REVISION		
REV	DATE	DESCRIPTION
A	9/19/18	519868GCP - RELEASE PER EM3052 MRY
B	10/26/20	522955ECP/D - ADD MOUNTING HOLE DIMENSIONS MRY

SPECIFICATIONS:

VOLTAGE RATING: 600V

AMPERE RATING: 115 AMP CU; 90 AMP AL

SUGGESTED TORQUE (LINE): 5.6 N-m (50 IN-LBS) 2-6 AWG
4.5 N-m (40 IN-LBS) 8-14 AWG

SUGGESTED TORQUE (LOAD): 5.6 N-m (50 IN-LBS) 2-6 AWG
4.5 N-m (40 IN-LBS) 8-14 AWG

WIRE RANGE (LINE): 2-14 AWG Cu/Al
SOLID/STRANDED

WIRE RANGE (LOAD): 2-14 AWG Cu/Al
SOLID/STRANDED

FASTENER: M4 (#8)

APPROVALS: cULus (FILE NO. E502265)

●	DENOTES CRITICAL CHARACTERISTICS.
CPK	DENOTES CPK DIMENSIONS, -MINIMUM CPK VALUE
⬡	DENOTES A CHARACTERISTIC THAT PROVIDES AN INDICATION OF PROCESS PERFORMANCE. PROCEDURE FOR MEASUREMENT AND TRACKING TO BE DEFINED IN LITTELFUSE INSPECTION INSTRUCTIONS.
CP	DENOTES CP DIMENSIONS, -MINIMUM CP VALUE MUST BE WITHIN THE DIMENSIONAL LIMITATIONS SHOWN ON DRAWING AND INITIALLY LOCATED TO ALLOW FOR MAXIMUM TOOL LIFE.

B

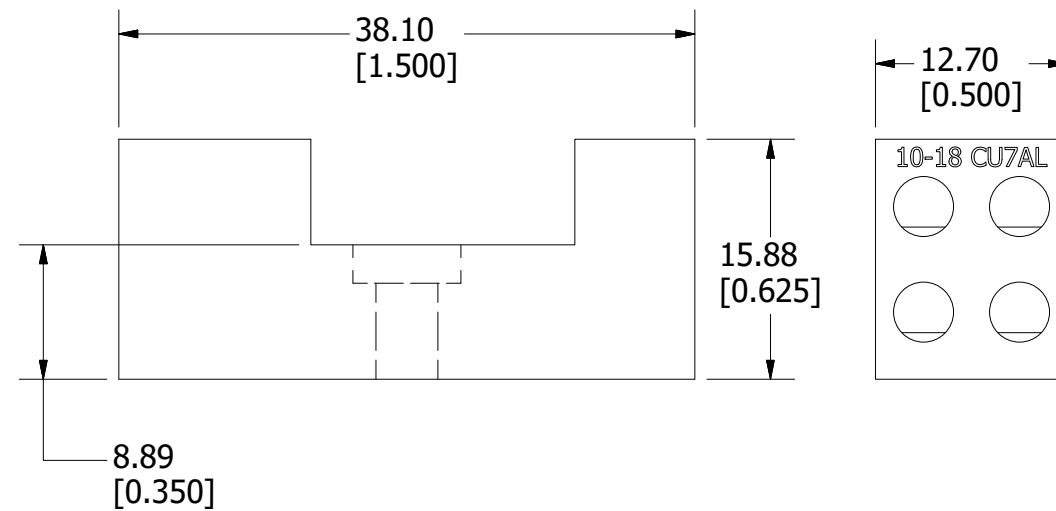
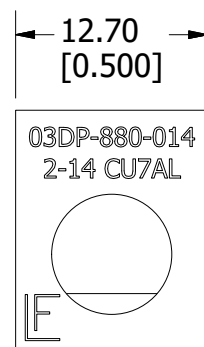
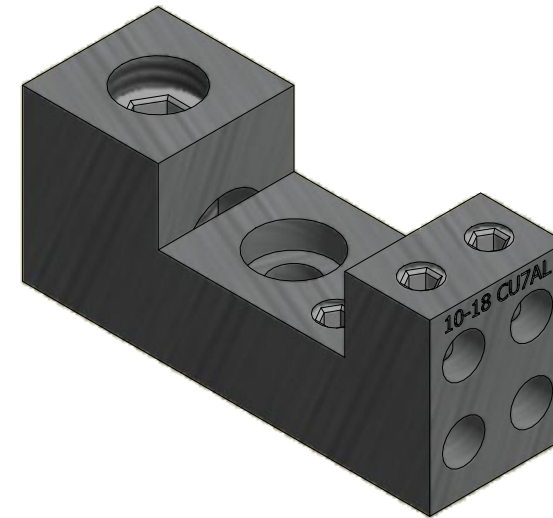
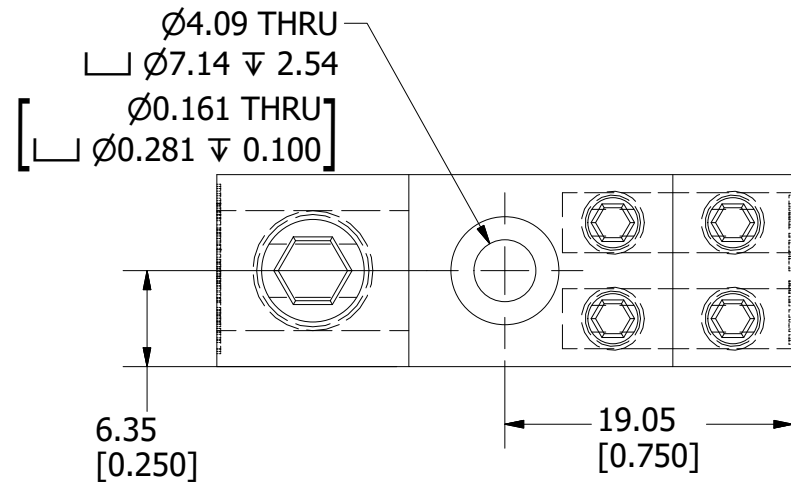
MATL SPEC		FINISH	
DRW myork	DATE 8/17/2018	SCALE NTS	FINISH GOOD WT GRAMS/PIECE

UNLESS OTHERWISE SPECIFIED, DIMENSIONS ARE IN MILLIMETERS, DIMENSIONS IN BRACKETS [] ARE INCHES DIMENSIONING AND DO NOT INCLUDE PLATING. TOLERANCING TO BE INTERPRETED IN ACCORDANCE WITH ANSI Y14.5M-1994



TITLE	WCL001 OUTLINE
--------------	----------------

 CHICAGO, ILLINOIS 60631	REVISION	DRWG NO.	SHEET 1 OF 1
	B	OL-WCL001	



REVISION		
REV	DATE	DESCRIPTION
A	9/19/18	519868GCP - RELEASE PER EM3052 MRY
B	10/26/20	522955ECP/D - ADD MOUNTING HOLE DIMENSIONS MRY

SPECIFICATIONS:

VOLTAGE RATING: 600V

AMPERE RATING: 115 AMP CU; 90 AMP AL

SUGGESTED TORQUE (LINE): 5.6 N-m (50 IN-LBS) 2-6 AWG
4.5 N-m (40 IN-LBS) 8-14 AWG

SUGGESTED TORQUE (LOAD): 0.8 N-m (7 IN-LBS) 10-16 AWG
0.6 N-m (5 IN-LBS) 18 AWG

WIRE RANGE (LINE): 2-14 AWG Cu/Al
SOLID/STRANDED

WIRE RANGE (LOAD): 10-18 AWG Cu/Al
SOLID/STRANDED

FASTENER: M4 (#8)

APPROVALS: cULus (FILE NO. E502265)

●	DENOTES CRITICAL CHARACTERISTICS.
CPK	DENOTES CPK DIMENSIONS, -MINIMUM CPK VALUE
⬡	DENOTES A CHARACTERISTIC THAT PROVIDES AN INDICATION OF PROCESS PERFORMANCE. PROCEDURE FOR MEASUREMENT AND TRACKING TO BE DEFINED IN LITTELFUSE INSPECTION INSTRUCTIONS.
CP	DENOTES CP DIMENSIONS, -MINIMUM CP VALUE MUST BE WITHIN THE DIMENSIONAL LIMITATIONS SHOWN ON DRAWING AND INITIALLY LOCATED TO ALLOW FOR MAXIMUM TOOL LIFE.

B

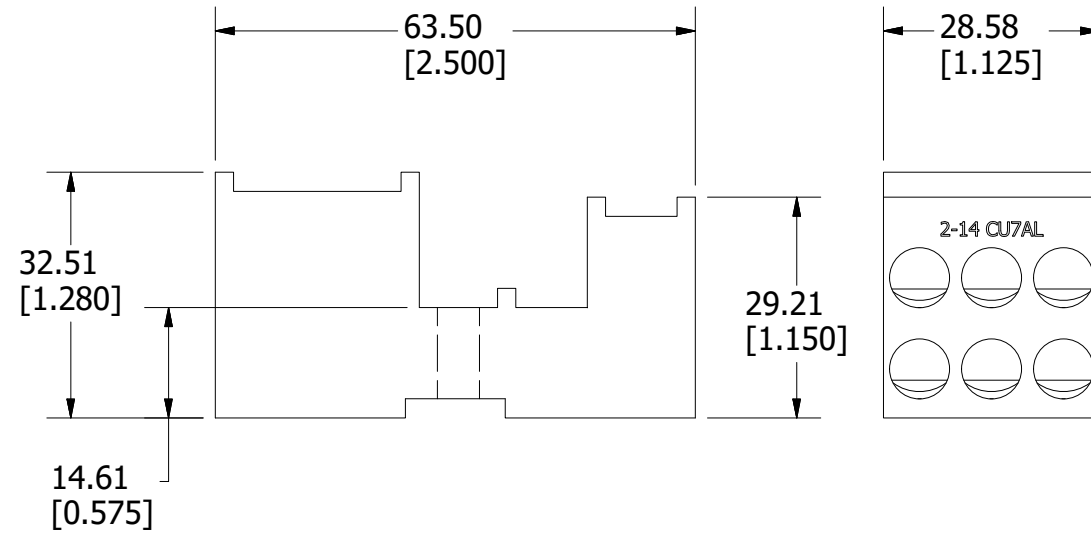
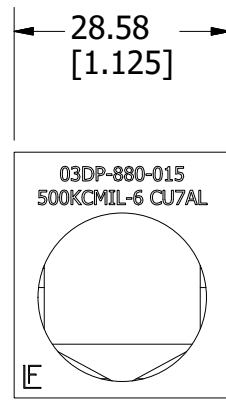
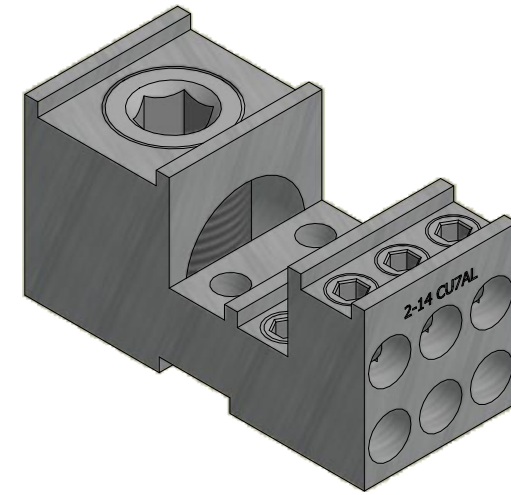
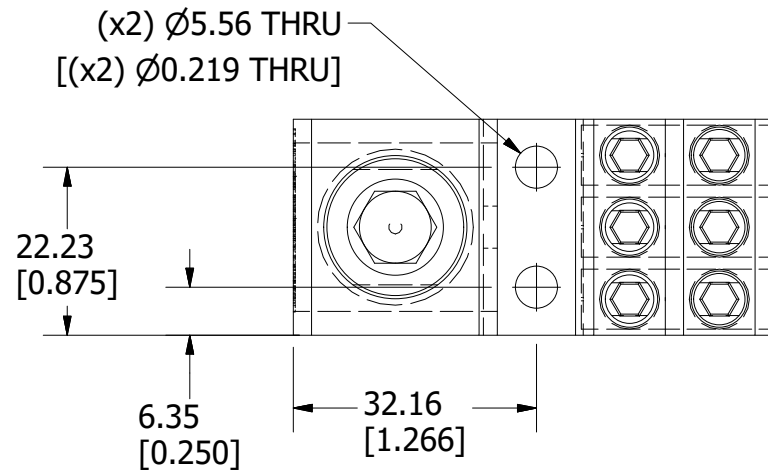
MATL SPEC		FINISH	
DRW myork	DATE 8/17/2018	SCALE NTS	FINISH GOOD WT GRAMS/PIECE

UNLESS OTHERWISE SPECIFIED, DIMENSIONS ARE IN MILLIMETERS, DIMENSIONS IN BRACKETS [] ARE INCHES DIMENSIONING AND DO NOT INCLUDE PLATING. TOLERANCING TO BE INTERPRETED IN ACCORDANCE WITH ANSI Y14.5M-1994



TITLE	WCL002 OUTLINE		
--------------	----------------	--	--

 CHICAGO, ILLINOIS 60631	REVISION	DRWG NO.	SHEET 1 OF 1
	B	OL-WCL002	



REVISION		
REV	DATE	DESCRIPTION
A	9/19/18	519868GCP - RELEASE PER EM3052 MRY
B	10/26/20	522955ECP/D - ADD MOUNTING HOLE DIMENSIONS MRY

SPECIFICATIONS:

VOLTAGE RATING: 600V

AMPERE RATING: 380 AMP CU; 310 AMP AL

SUGGESTED TORQUE (LINE): 42.4 N-m (375 IN-LBS)

SUGGESTED TORQUE (LOAD): 5.6 N-m (50 IN-LBS) 2-16 AWG
4.5 N-m (40 IN-LBS) 8-14 AWG

WIRE RANGE (LINE): 500MCM - 6 AWG Cu/Al
SOLID/STRANDED

WIRE RANGE (LOAD): 2-14 AWG Cu/Al
SOLID/STRANDED

FASTENER: M5 (#10)

APPROVALS: cULus (FILE NO. E502265)

●	DENOTES CRITICAL CHARACTERISTICS.
CPK	DENOTES CPK DIMENSIONS, -MINIMUM CPK VALUE
⬡	DENOTES A CHARACTERISTIC THAT PROVIDES AN INDICATION OF PROCESS PERFORMANCE. PROCEDURE FOR MEASUREMENT AND TRACKING TO BE DEFINED IN LITTELFUSE INSPECTION INSTRUCTIONS.
CP	DENOTES CP DIMENSIONS, -MINIMUM CP VALUE MUST BE WITHIN THE DIMENSIONAL LIMITATIONS SHOWN ON DRAWING AND INITIALLY LOCATED TO ALLOW FOR MAXIMUM TOOL LIFE.

B

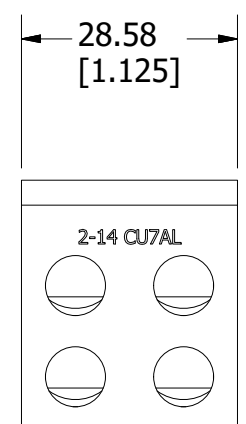
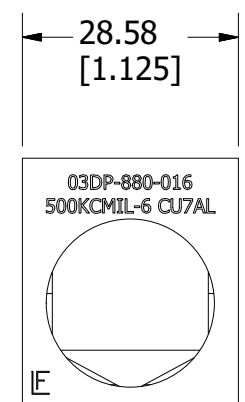
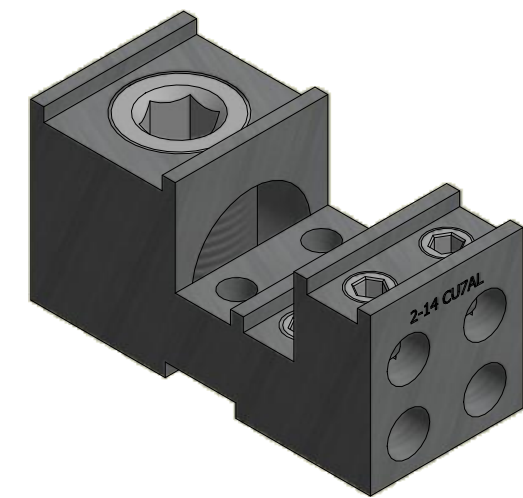
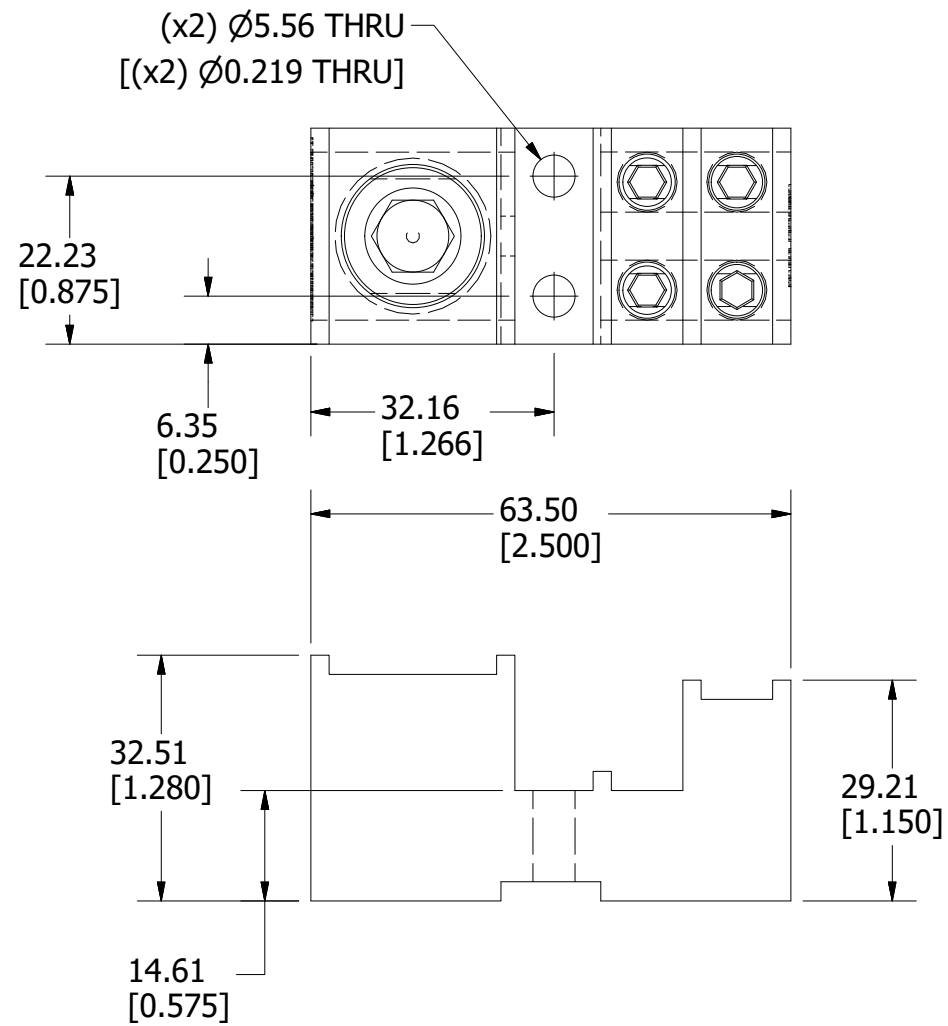
MATL SPEC		FINISH	
DRW myork	DATE 8/17/2018	SCALE NTS	FINISH GOOD WT GRAMS/PIECE

UNLESS OTHERWISE SPECIFIED, DIMENSIONS ARE IN MILLIMETERS, DIMENSIONS IN BRACKETS [] ARE INCHES DIMENSIONING AND DO NOT INCLUDE PLATING. TOLERANCING TO BE INTERPRETED IN ACCORDANCE WITH ANSI Y14.5M-1994



TITLE		WCL003 OUTLINE	
		REVISION	DRWG NO.
CHICAGO, ILLINOIS 60631		B	OL-WCL003

SHEET 1 OF 1



REVISION		
REV	DATE	DESCRIPTION
A	9/19/18	519868GCP - RELEASE PER EM3052 MRY
B	10/26/20	522955ECP/D - ADD MOUNTING HOLE DIMENSIONS MRY

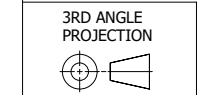
SPECIFICATIONS:

- VOLTAGE RATING:** 600V
- AMPERE RATING:** 380 AMP CU; 310 AMP AL
- SUGGESTED TORQUE (LINE):** 42.4 N-m (375 IN-LBS)
- SUGGESTED TORQUE (LOAD):** 5.6 N-m (50 IN-LBS) 2-16 AWG
4.5 N-m (40 IN-LBS) 8-14 AWG
- WIRE RANGE (LINE):** 500MCM - 6 AWG Cu/Al
SOLID/STRANDED
- WIRE RANGE (LOAD):** 2-14 AWG Cu/Al
SOLID/STRANDED
- FASTENER:** M5 (#10)
- APPROVALS:** cULus (FILE NO. E502265)

●	DENOTES CRITICAL CHARACTERISTICS.
CPK	DENOTES CPK DIMENSIONS, -MINIMUM CPK VALUE
⬡	DENOTES A CHARACTERISTIC THAT PROVIDES AN INDICATION OF PROCESS PERFORMANCE. PROCEDURE FOR MEASUREMENT AND TRACKING TO BE DEFINED IN LITTELFUSE INSPECTION INSTRUCTIONS.
CP	DENOTES CP DIMENSIONS, -MINIMUM CP VALUE MUST BE WITHIN THE DIMENSIONAL LIMITATIONS SHOWN ON DRAWING AND INITIALLY LOCATED TO ALLOW FOR MAXIMUM TOOL LIFE.

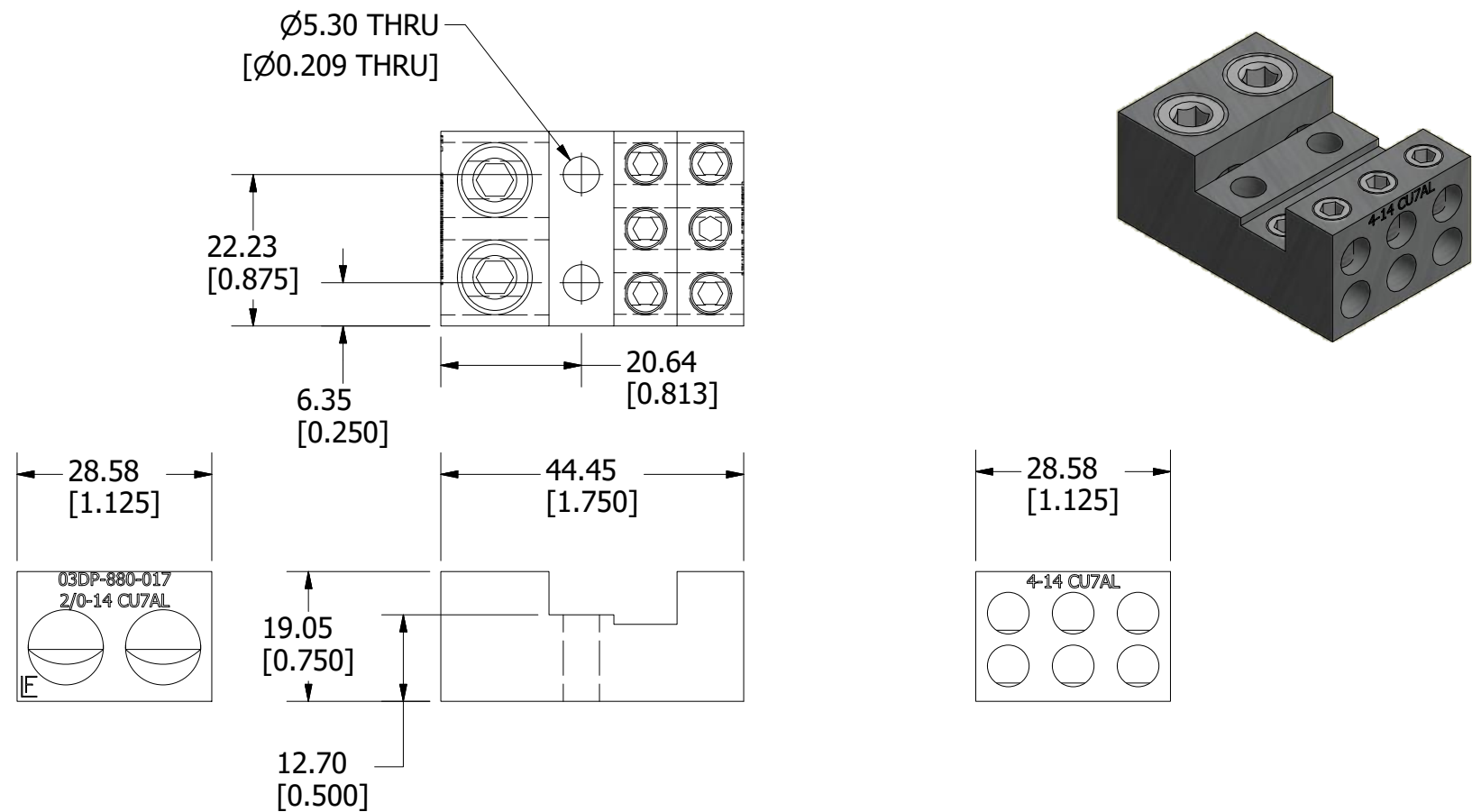
MATL SPEC		FINISH	
DRW myork	DATE 8/17/2018	SCALE NTS	FINISH GOOD WT GRAMS/PIECE

UNLESS OTHERWISE SPECIFIED, DIMENSIONS ARE IN MILLIMETERS, DIMENSIONS IN BRACKETS [] ARE INCHES DIMENSIONING AND DO NOT INCLUDE PLATING. TOLERANCING TO BE INTERPRETED IN ACCORDANCE WITH ANSI Y14.5M-1994



TITLE	WCL004 OUTLINE
--------------	----------------

 CHICAGO, ILLINOIS 60631	REVISION	DRWG NO.	SHEET 1 OF 1
	B	OL-WCL004	



REVISION		
REV	DATE	DESCRIPTION
A	9/19/18	519868GCP - RELEASE PER EM3052 MRY
B	10/26/20	522955ECP/D - ADD MOUNTING HOLE DIMENSIONS MRY

SPECIFICATIONS:

VOLTAGE RATING: 600V

AMPERE RATING: 350 AMP CU; 270 AMP AL

SUGGESTED TORQUE (LINE): 13.6 N-m (120 IN-LBS) 2/0-6 AWG
4.5 N-m (40 IN-LBS) 8-14 AWG

SUGGESTED TORQUE (LOAD): 4.0 N-m (35 IN-LBS)

WIRE RANGE (LINE): 2/0-14 AWG Cu/Al
SOLID/STRANDED

WIRE RANGE (LOAD): 4-14 AWG Cu/Al
SOLID/STRANDED

FASTENER: M5 (#10)

APPROVALS: cULus (FILE NO. E502265)

●	DENOTES CRITICAL CHARACTERISTICS.
CPK	DENOTES CPK DIMENSIONS, -MINIMUM CPK VALUE
⬡	DENOTES A CHARACTERISTIC THAT PROVIDES AN INDICATION OF PROCESS PERFORMANCE. PROCEDURE FOR MEASUREMENT AND TRACKING TO BE DEFINED IN LITTELFUSE INSPECTION INSTRUCTIONS.
CP	DENOTES CP DIMENSIONS, -MINIMUM CP VALUE MUST BE WITHIN THE DIMENSIONAL LIMITATIONS SHOWN ON DRAWING AND INITIALLY LOCATED TO ALLOW FOR MAXIMUM TOOL LIFE.

B

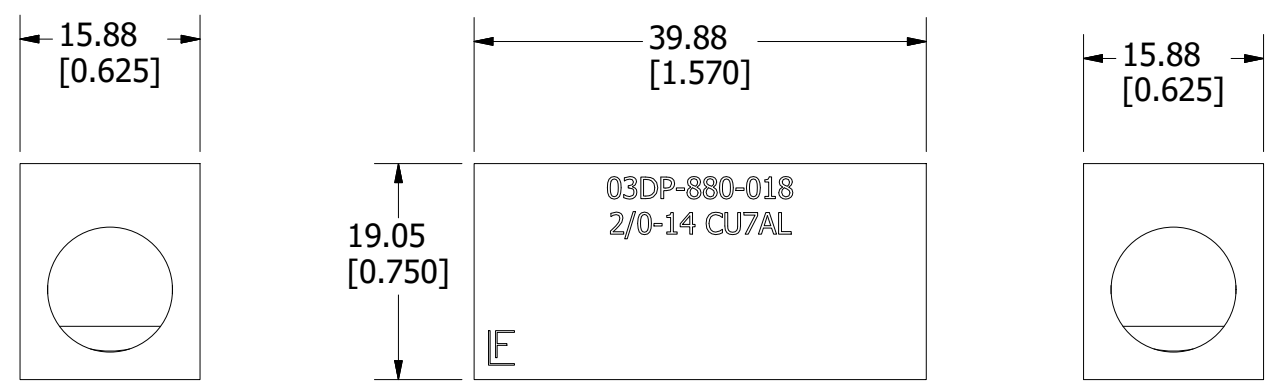
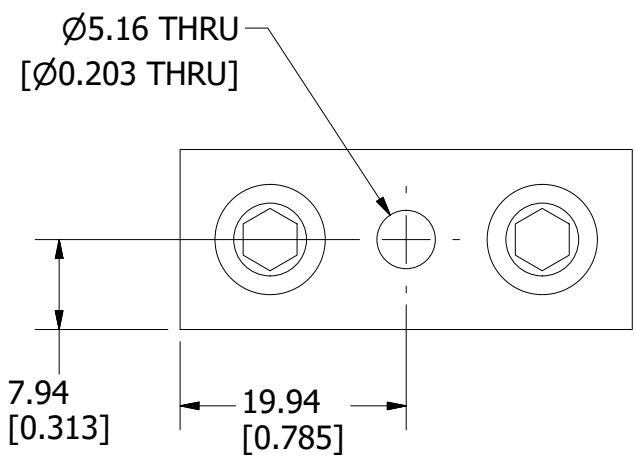
MATL SPEC		FINISH	
DRW myork	DATE 8/17/2018	SCALE NTS	FINISH GOOD WT GRAMS/PIECE

UNLESS OTHERWISE SPECIFIED, DIMENSIONS ARE IN MILLIMETERS, DIMENSIONS IN BRACKETS [] ARE INCHES DIMENSIONING AND DO NOT INCLUDE PLATING. TOLERANCING TO BE INTERPRETED IN ACCORDANCE WITH ANSI Y14.5M-1994



TITLE	WCL005 OUTLINE
--------------	----------------

 CHICAGO, ILLINOIS 60631	REVISION	DRWG NO.	SHEET 1 OF 1
	B	OL-WCL005	



REVISION		
REV	DATE	DESCRIPTION
A	9/19/18	519868GCP - RELEASE PER EM3052 MRY
B	10/26/20	522955ECP/D - ADD MOUNTING HOLE DIMENSIONS MRY

SPECIFICATIONS:

VOLTAGE RATING: 600V

AMPERE RATING: 175 AMP CU; 135 AMP AL

SUGGESTED TORQUE (LINE): 13.6 N-m (120 IN-LBS) 2/0-6 AWG
4.5 N-m (40 IN-LBS) 8-14 AWG

SUGGESTED TORQUE (LOAD): 13.6 N-m (120 IN-LBS) 2/0-6 AWG
4.5 N-m (40 IN-LBS) 8-14 AWG

WIRE RANGE (LINE): 2/0-14 AWG Cu/Al
SOLID/STRANDED

WIRE RANGE (LOAD): 2/0-14 AWG Cu/Al
SOLID/STRANDED

FASTENER: M5 (#10)

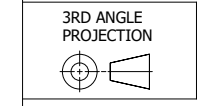
APPROVALS: cULus (FILE NO. E502265)

●	DENOTES CRITICAL CHARACTERISTICS.
CPK	DENOTES CPK DIMENSIONS, -MINIMUM CPK VALUE
⬡	DENOTES A CHARACTERISTIC THAT PROVIDES AN INDICATION OF PROCESS PERFORMANCE. PROCEDURE FOR MEASUREMENT AND TRACKING TO BE DEFINED IN LITTELFUSE INSPECTION INSTRUCTIONS.
CP	DENOTES CP DIMENSIONS, -MINIMUM CP VALUE MUST BE WITHIN THE DIMENSIONAL LIMITATIONS SHOWN ON DRAWING AND INITIALLY LOCATED TO ALLOW FOR MAXIMUM TOOL LIFE.

B

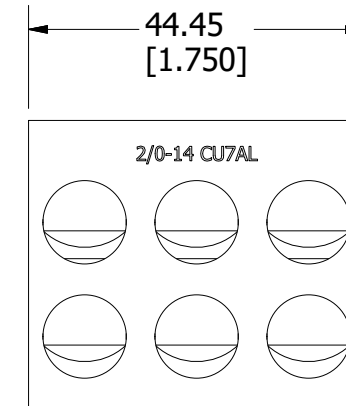
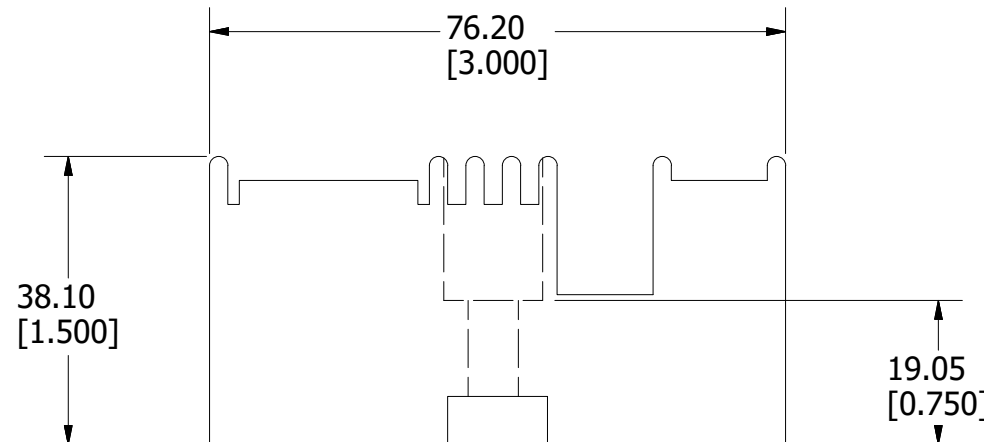
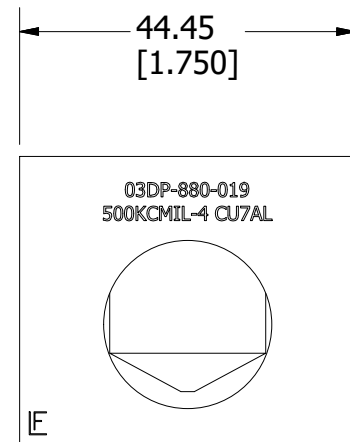
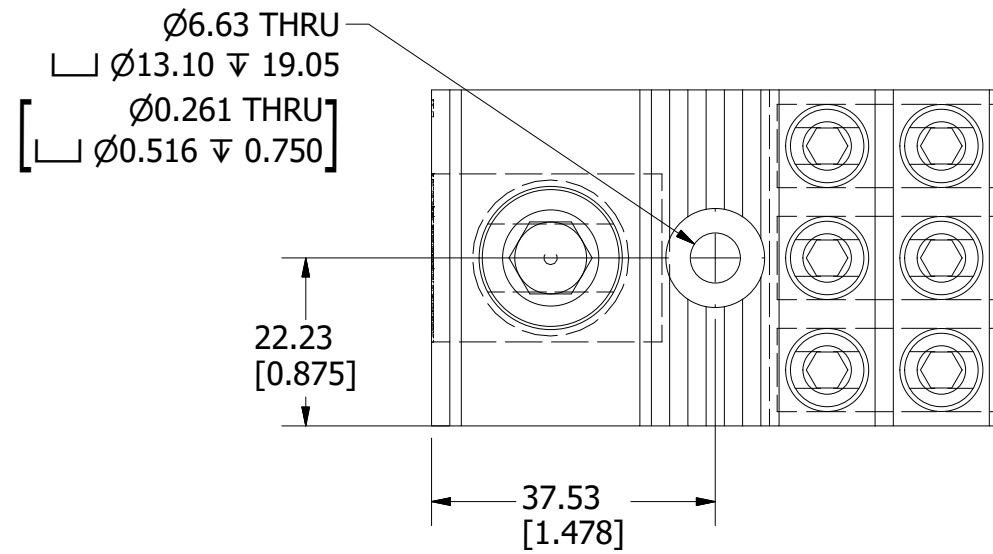
MATL SPEC		FINISH	
DRW myork	DATE 8/17/2018	SCALE NTS	FINISH GOOD WT GRAMS/PIECE

UNLESS OTHERWISE SPECIFIED, DIMENSIONS ARE IN MILLIMETERS, DIMENSIONS IN BRACKETS [] ARE INCHES DIMENSIONING AND DO NOT INCLUDE PLATING. TOLERANCING TO BE INTERPRETED IN ACCORDANCE WITH ANSI Y14.5M-1994

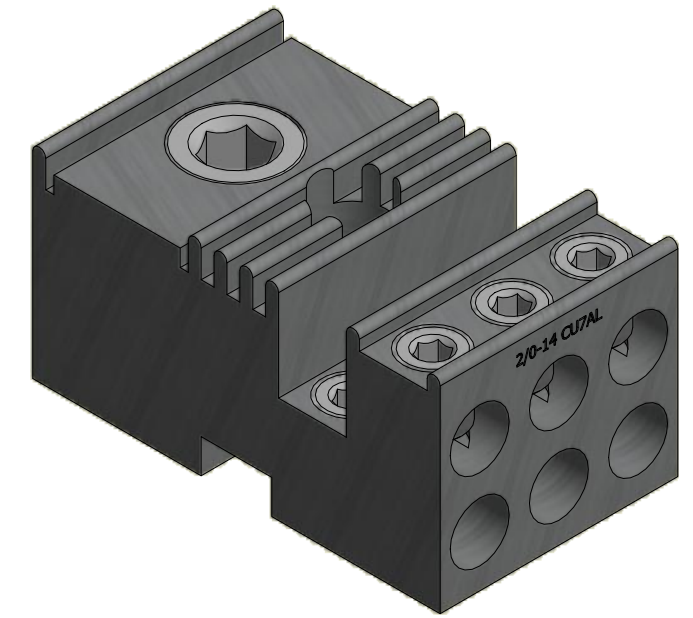


TITLE WCL006 OUTLINE

 CHICAGO, ILLINOIS 60631	REVISION	DRWG NO.	SHEET 1 OF 1
	B	OL-WCL006	



REVISION		
REV	DATE	DESCRIPTION
A	9/19/18	519868GCP - RELEASE PER EM3052 MRY
B	10/26/20	522955ECP/D - ADD MOUNTING HOLE DIMENSIONS MRY



SPECIFICATIONS:

VOLTAGE RATING: 600V

AMPERE RATING: 380 AMP CU; 310 AMP AL

SUGGESTED TORQUE (LINE): 42.4 N-m (375 IN-LBS)

SUGGESTED TORQUE (LOAD): 13.6 N-m (120 IN-LBS) 2/0-6 AWG
4.5 N-m (40 IN-LBS) 8-14 AWG

WIRE RANGE (LINE): 500MCM-4 AWG Cu/Al
SOLID/STRANDED

WIRE RANGE (LOAD): 2/0-14 AWG Cu/Al
SOLID/STRANDED

FASTENER: M6 (1/4)

APPROVALS: cULus (FILE NO. E502265)

●	DENOTES CRITICAL CHARACTERISTICS.
CPK	DENOTES CPK DIMENSIONS, -MINIMUM CPK VALUE
⬡	DENOTES A CHARACTERISTIC THAT PROVIDES AN INDICATION OF PROCESS PERFORMANCE. PROCEDURE FOR MEASUREMENT AND TRACKING TO BE DEFINED IN LITTELFUSE INSPECTION INSTRUCTIONS.
CP	DENOTES CP DIMENSIONS, -MINIMUM CP VALUE MUST BE WITHIN THE DIMENSIONAL LIMITATIONS SHOWN ON DRAWING AND INITIALLY LOCATED TO ALLOW FOR MAXIMUM TOOL LIFE.

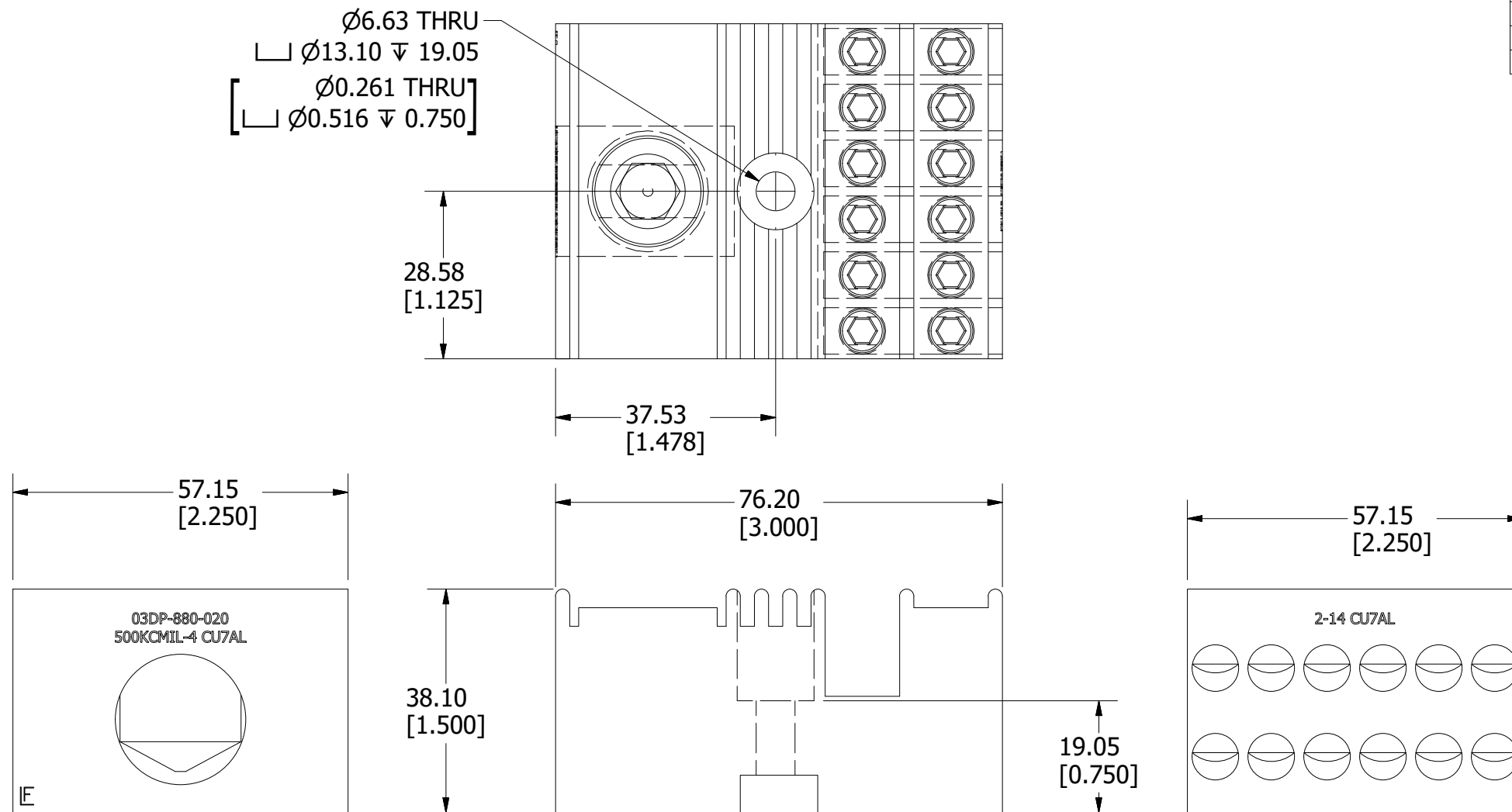
B

MATL SPEC		FINISH	
DRW myork	DATE 8/17/2018	SCALE NTS	FINISH GOOD WT GRAMS/PIECE

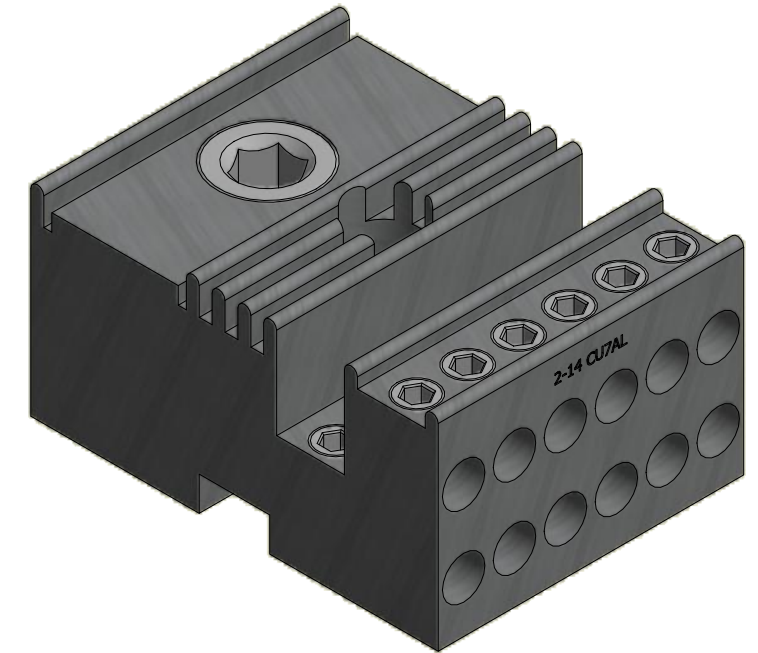
UNLESS OTHERWISE SPECIFIED, DIMENSIONS ARE IN MILLIMETERS, DIMENSIONS IN BRACKETS [] ARE INCHES DIMENSIONING AND DO NOT INCLUDE PLATING. TOLERANCING TO BE INTERPRETED IN ACCORDANCE WITH ANSI Y14.5M-1994

3RD ANGLE PROJECTION	
----------------------	--

TITLE	WCL007 OUTLINE		
Littelfuse CHICAGO, ILLINOIS 60631	REVISION	DRWG NO.	SHEET 1 OF 1
	B	OL-WCL007	



REVISION		
REV	DATE	DESCRIPTION
A	9/19/18	519868GCP - RELEASE PER EM3052 MRY
B	10/26/20	522955ECP/D - ADD MOUNTING HOLE DIMENSIONS MRY



SPECIFICATIONS:

VOLTAGE RATING: 600V

AMPERE RATING: 380 AMP CU; 310 AMP AL

SUGGESTED TORQUE (LINE): 42.4 N-m (375 IN-LBS)

SUGGESTED TORQUE (LOAD): 5.6 N-m (50 IN-LBS) 2-6 AWG
4.5 N-m (40 IN-LBS) 8-14 AWG

WIRE RANGE (LINE): 500MCM-4 AWG Cu/Al
SOLID/STRANDED

WIRE RANGE (LOAD): 2-14 AWG Cu/Al
SOLID/STRANDED

FASTENER: M6 (1/4)

APPROVALS: cULus (FILE NO. E502265)

●	DENOTES CRITICAL CHARACTERISTICS.
CPK	DENOTES CPK DIMENSIONS, -MINIMUM CPK VALUE
⊠	DENOTES A CHARACTERISTIC THAT PROVIDES AN INDICATION OF PROCESS PERFORMANCE. PROCEDURE FOR MEASUREMENT AND TRACKING TO BE DEFINED IN LITTELFUSE INSPECTION INSTRUCTIONS.
CP	DENOTES CP DIMENSIONS, -MINIMUM CP VALUE MUST BE WITHIN THE DIMENSIONAL LIMITATIONS SHOWN ON DRAWING AND INITIALLY LOCATED TO ALLOW FOR MAXIMUM TOOL LIFE.

B

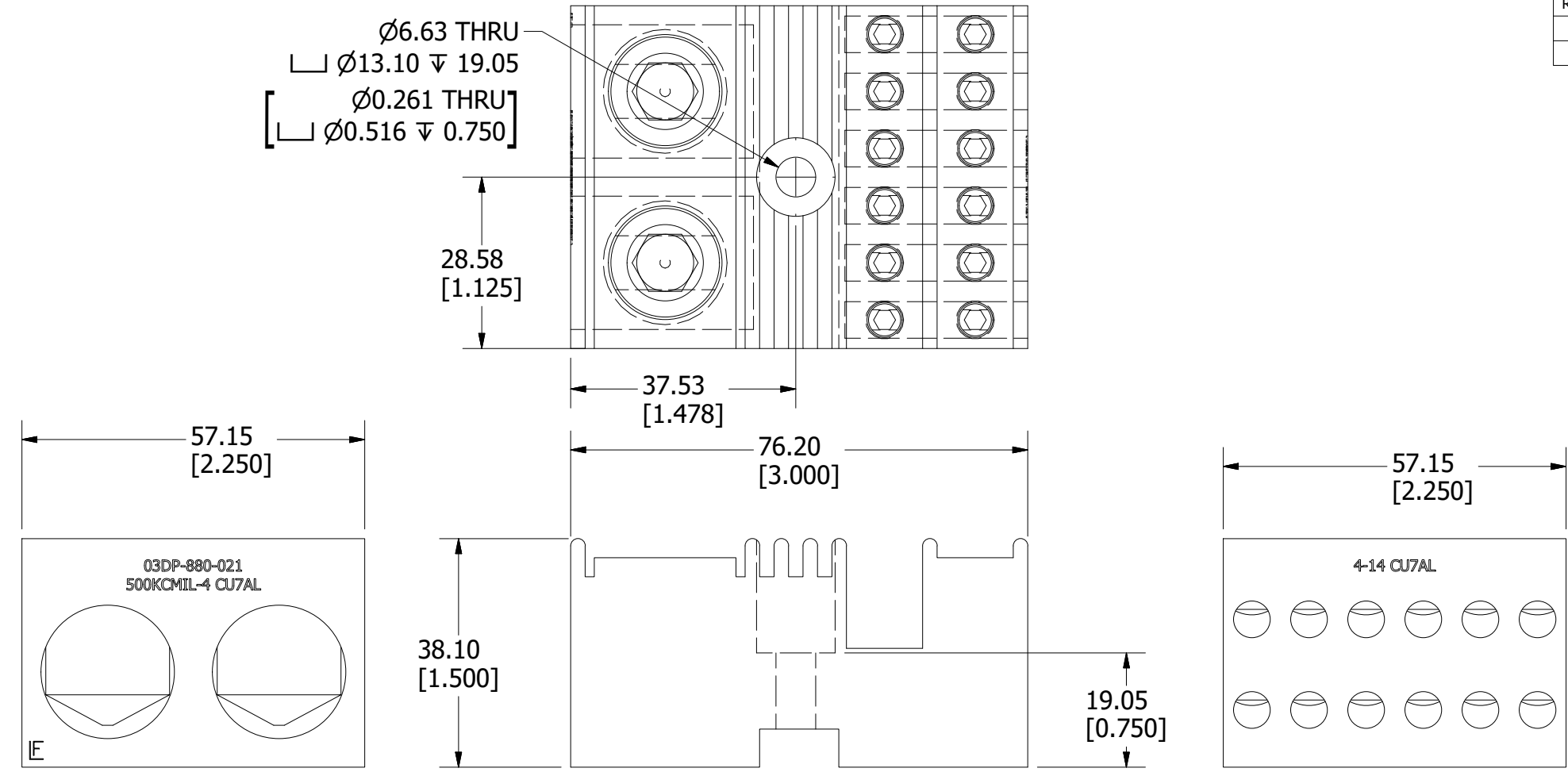
MATL SPEC		FINISH	
DRW myork	DATE 8/17/2018	SCALE NTS	FINISH GOOD WT GRAMS/PIECE

UNLESS OTHERWISE SPECIFIED, DIMENSIONS ARE IN MILLIMETERS, DIMENSIONS IN BRACKETS [] ARE INCHES DIMENSIONING AND DO NOT INCLUDE PLATING. TOLERANCING TO BE INTERPRETED IN ACCORDANCE WITH ANSI Y14.5M-1994

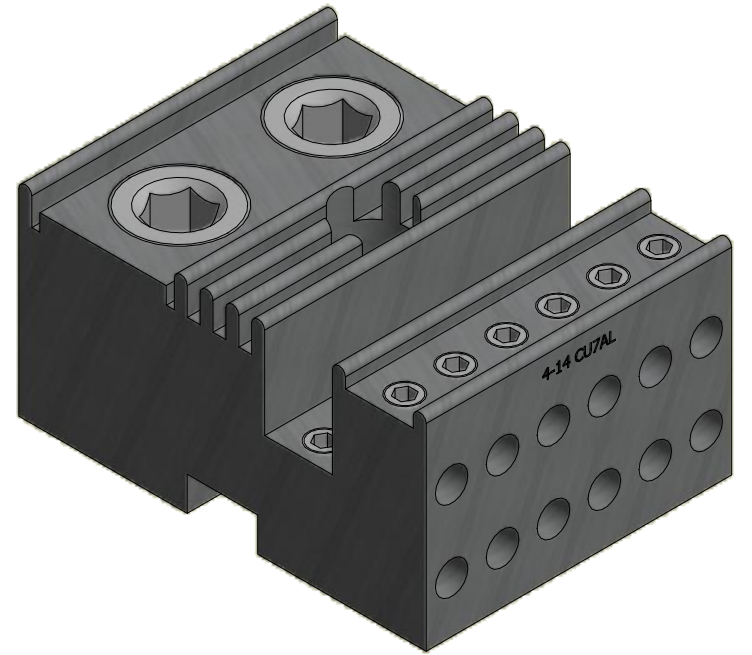
3RD ANGLE PROJECTION	
----------------------	--

TITLE	WCL008 OUTLINE
--------------	----------------

Littelfuse CHICAGO, ILLINOIS 60631	REVISION B	DRWG NO. OL-WCL008	SHEET 1 OF 1
--	----------------------	------------------------------	--------------



REVISION		
REV	DATE	DESCRIPTION
A	9/19/18	519868GCP - RELEASE PER EM3052 MRY
B	10/26/20	522955ECP/D - ADD MOUNTING HOLE DIMENSIONS MRY



SPECIFICATIONS:

- VOLTAGE RATING:** 600V
- AMPERE RATING:** 760 AMP CU; 620 AMP AL
- SUGGESTED TORQUE (LINE):** 42.4 N-m (375 IN-LBS)
- SUGGESTED TORQUE (LOAD):** 4 N-m (35 IN-LBS) 4-14 AWG
- WIRE RANGE (LINE):** 500MCM-4 AWG Cu/Al SOLID/STRANDED
- WIRE RANGE (LOAD):** 4-14 AWG Cu/Al SOLID/STRANDED
- FASTENER:** M6 (1/4)
- APPROVALS:** cULus (FILE NO. E502265)

●	DENOTES CRITICAL CHARACTERISTICS.
CPK	DENOTES CPK DIMENSIONS, -MINIMUM CPK VALUE
⬡	DENOTES A CHARACTERISTIC THAT PROVIDES AN INDICATION OF PROCESS PERFORMANCE. PROCEDURE FOR MEASUREMENT AND TRACKING TO BE DEFINED IN LITTELFUSE INSPECTION INSTRUCTIONS.
CP	DENOTES CP DIMENSIONS, -MINIMUM CP VALUE MUST BE WITHIN THE DIMENSIONAL LIMITATIONS SHOWN ON DRAWING AND INITIALLY LOCATED TO ALLOW FOR MAXIMUM TOOL LIFE.

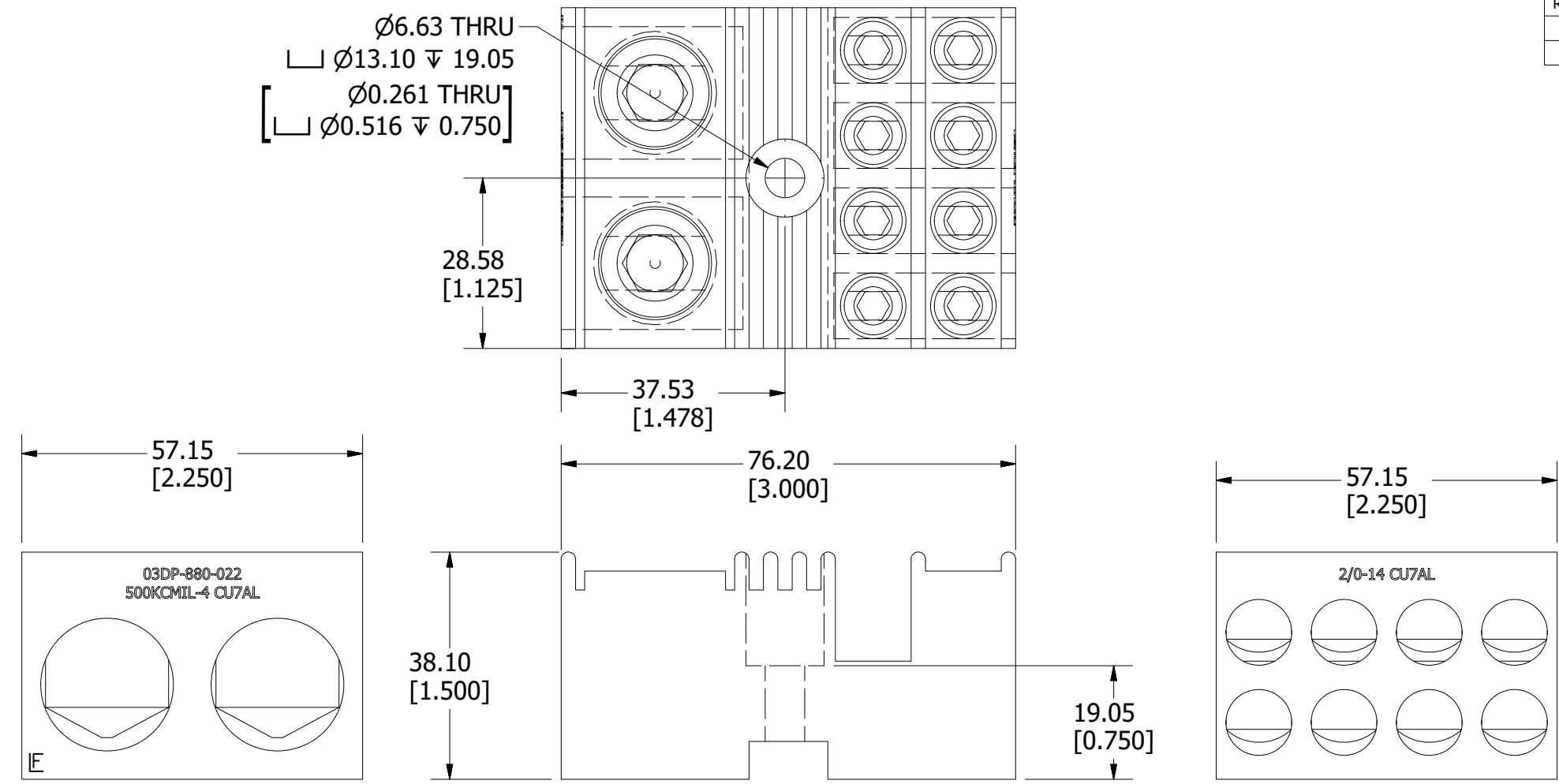
MATL SPEC		FINISH	
DRW myork	DATE 8/17/2018	SCALE NTS	FINISH GOOD WT GRAMS/PIECE

UNLESS OTHERWISE SPECIFIED, DIMENSIONS ARE IN MILLIMETERS, DIMENSIONS IN BRACKETS [] ARE INCHES DIMENSIONING AND DO NOT INCLUDE PLATING. TOLERANCING TO BE INTERPRETED IN ACCORDANCE WITH ANSI Y14.5M-1994

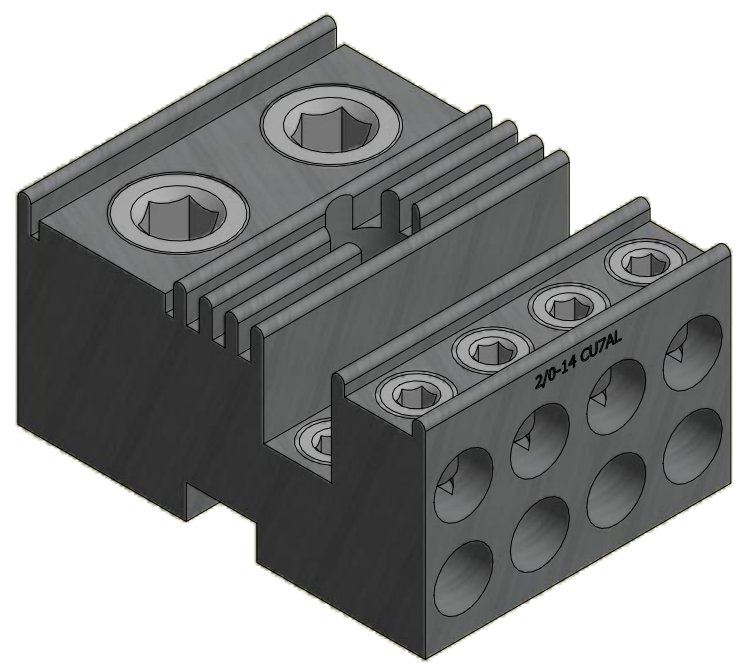


TITLE	WCL009 OUTLINE		
--------------	----------------	--	--

 CHICAGO, ILLINOIS 60631	REVISION	DRWG NO.	SHEET 1 OF 1
	B	OL-WCL009	



REVISION		
REV	DATE	DESCRIPTION
A	9/19/18	519868GCP - RELEASE PER EM3052 MRY
B	10/26/20	522955ECP/D - ADD MOUNTING HOLE DIMENSIONS MRY



SPECIFICATIONS:

VOLTAGE RATING: 600V

AMPERE RATING: 760 AMP CU; 620 AMP AL

SUGGESTED TORQUE (LINE): 42.4 N-m (375 IN-LBS)

SUGGESTED TORQUE (LOAD): 13.6 N-m (120 IN-LBS) 2/0-6 AWG
4.5 N-m (40 IN-LBS) 8-14 AWG

WIRE RANGE (LINE): 500MCM-4 AWG Cu/Al
SOLID/STRANDED

WIRE RANGE (LOAD): 2/0-14 AWG Cu/Al
SOLID/STRANDED

FASTENER: M6 (1/4)

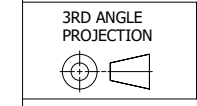
APPROVALS: cULus (FILE NO. E502265)

●	DENOTES CRITICAL CHARACTERISTICS.
CPK	DENOTES CPK DIMENSIONS, -MINIMUM CPK VALUE
⊕	DENOTES A CHARACTERISTIC THAT PROVIDES AN INDICATION OF PROCESS PERFORMANCE. PROCEDURE FOR MEASUREMENT AND TRACKING TO BE DEFINED IN LITTELFUSE INSPECTION INSTRUCTIONS.
CP	DENOTES CP DIMENSIONS, -MINIMUM CP VALUE MUST BE WITHIN THE DIMENSIONAL LIMITATIONS SHOWN ON DRAWING AND INITIALLY LOCATED TO ALLOW FOR MAXIMUM TOOL LIFE.

B

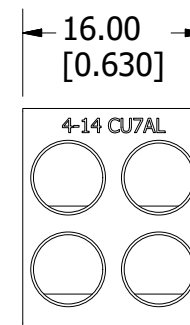
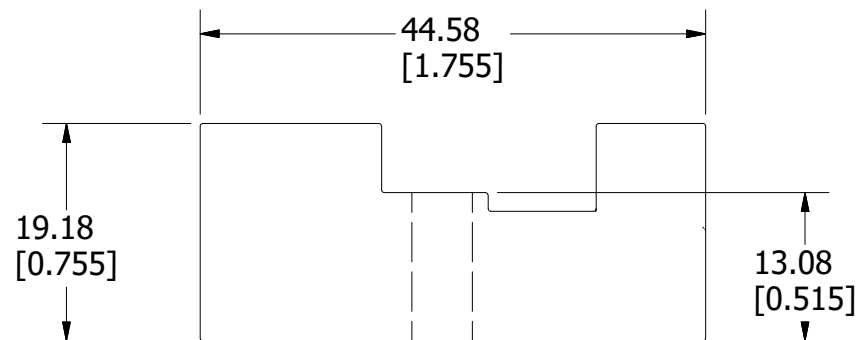
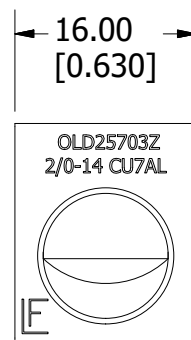
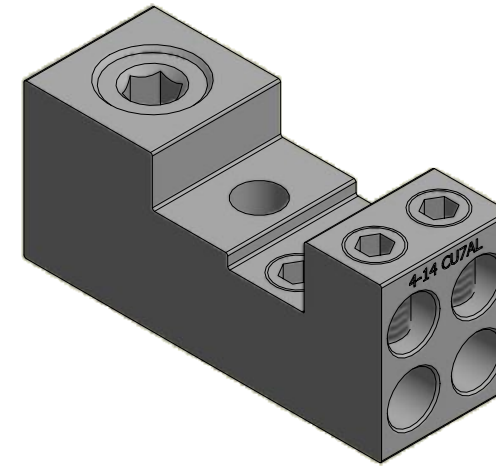
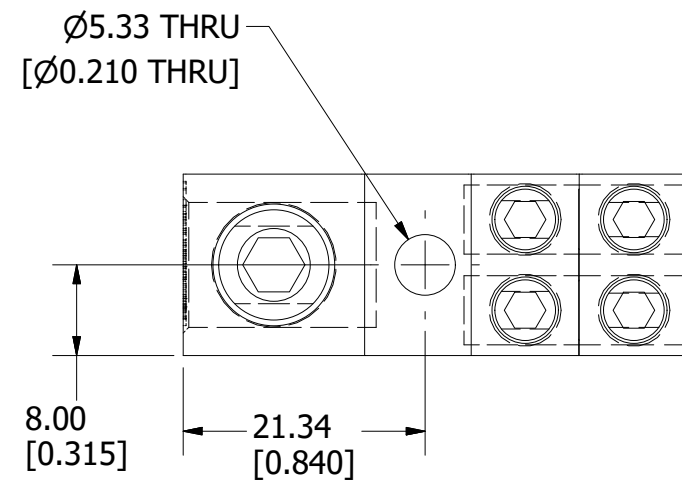
MATL SPEC		FINISH	
DRW myork	DATE 8/17/2018	SCALE NTS	FINISH GOOD WT GRAMS/PIECE

UNLESS OTHERWISE SPECIFIED, DIMENSIONS ARE IN MILLIMETERS, DIMENSIONS IN BRACKETS [] ARE INCHES DIMENSIONING AND DO NOT INCLUDE PLATING. TOLERANCING TO BE INTERPRETED IN ACCORDANCE WITH ANSI Y14.5M-1994



TITLE WCL010 OUTLINE

 CHICAGO, ILLINOIS 60631	REVISION	DRWG NO.	SHEET 1 OF 1
	B	OL-WCL010	



REVISION		
REV	DATE	DESCRIPTION
A	9/19/18	519868GCP - RELEASE PER EM3052 MRY
B	10/26/20	522955ECP/D - ADD MOUNTING HOLE DIMENSIONS MRY

SPECIFICATIONS:

VOLTAGE RATING: 600V

AMPERE RATING: 175 AMP CU; 135 AMP AL

SUGGESTED TORQUE (LINE): 13.6 N-m (120 IN-LBS) 2/0-6 AWG
4.5 N-m (40 IN-LBS) 8-14 AWG

SUGGESTED TORQUE (LOAD): 4 N-m (35 IN-LBS) 4-14 AWG

WIRE RANGE (LINE): 2/0-14 AWG Cu/Al
SOLID/STRANDED

WIRE RANGE (LOAD): 4-14 AWG Cu/Al
SOLID/STRANDED

FASTENER: M5 (#10)

APPROVALS: cULus (FILE NO. E502265)

●	DENOTES CRITICAL CHARACTERISTICS.
CPK	DENOTES CPK DIMENSIONS, -MINIMUM CPK VALUE
⊖	DENOTES A CHARACTERISTIC THAT PROVIDES AN INDICATION OF PROCESS PERFORMANCE. PROCEDURE FOR MEASUREMENT AND TRACKING TO BE DEFINED IN LITTELFUSE INSPECTION INSTRUCTIONS.
CP	DENOTES CP DIMENSIONS, -MINIMUM CP VALUE MUST BE WITHIN THE DIMENSIONAL LIMITATIONS SHOWN ON DRAWING AND INITIALLY LOCATED TO ALLOW FOR MAXIMUM TOOL LIFE.

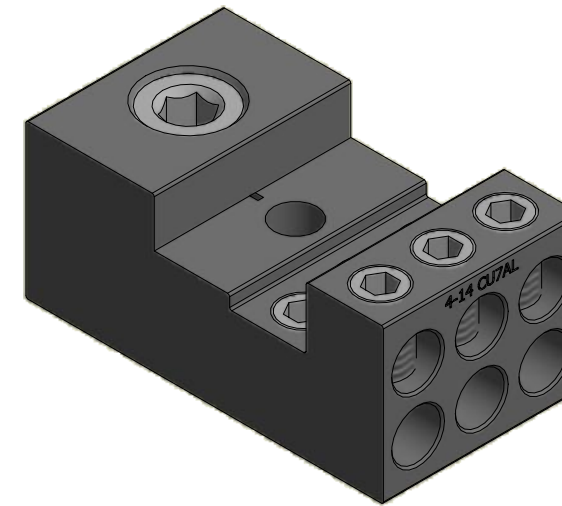
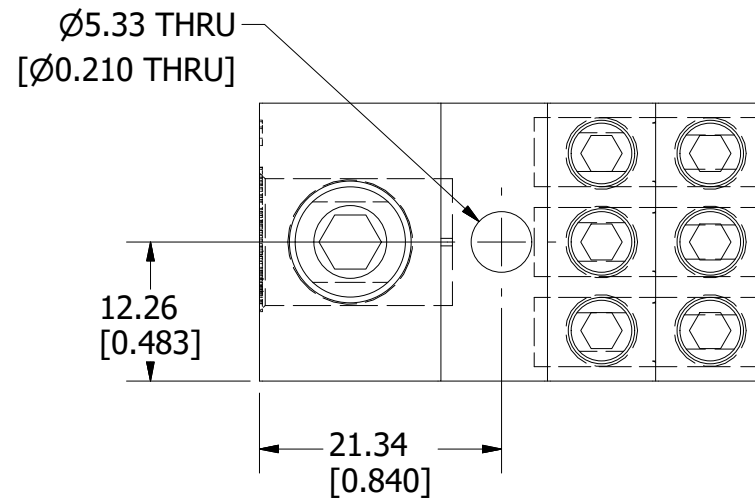
B

MATL SPEC		FINISH	
DRW myork	DATE 8/17/2018	SCALE NTS	FINISH GOOD WT GRAMS/PIECE

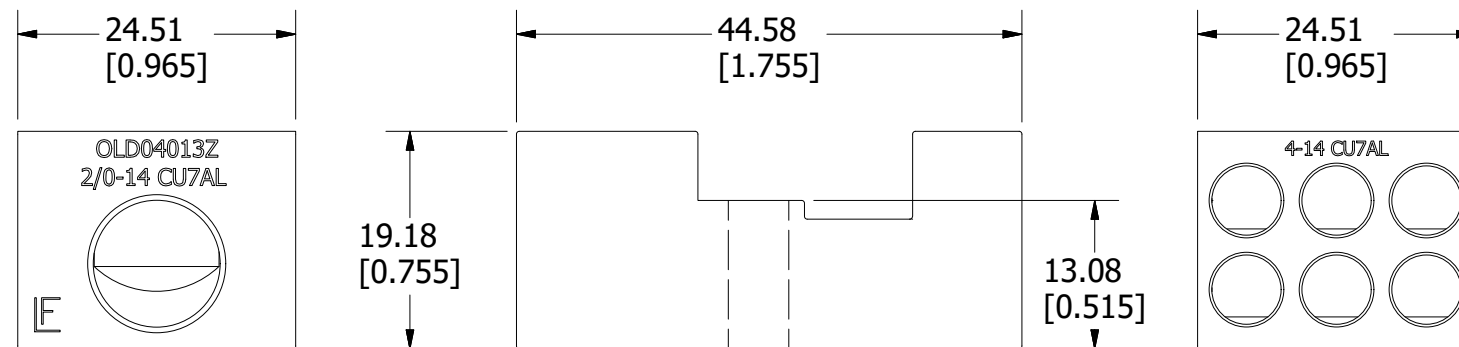
UNLESS OTHERWISE SPECIFIED, DIMENSIONS ARE IN MILLIMETERS, DIMENSIONS IN BRACKETS [] ARE INCHES DIMENSIONING AND DO NOT INCLUDE PLATING. TOLERANCING TO BE INTERPRETED IN ACCORDANCE WITH ANSI Y14.5M-1994



TITLE		WCL011 OUTLINE	
		REVISION	DRWG NO.
		B	OL-WCL011
			SHEET 1 OF 1



REVISION		
REV	DATE	DESCRIPTION
A	9/19/18	519868GCP - RELEASE PER EM3052 MRY
B	10/26/20	522955ECP/D - ADD MOUNTING HOLE DIMENSIONS MRY



SPECIFICATIONS:

VOLTAGE RATING: 600V

AMPERE RATING: 175 AMP CU; 135 AMP AL

SUGGESTED TORQUE (LINE): 13.6 N-m (120 IN-LBS) 2/0-6 AWG
4.5 N-m (40 IN-LBS) 8-14 AWG

SUGGESTED TORQUE (LOAD): 4 N-m (35 IN-LBS) 4-14 AWG

WIRE RANGE (LINE): 2/0-14 AWG Cu/Al
SOLID/STRANDED

WIRE RANGE (LOAD): 4-14 AWG Cu/Al
SOLID/STRANDED

FASTENER: M5 (#10)

APPROVALS: cULus (FILE NO. E502265)

●	DENOTES CRITICAL CHARACTERISTICS.
CPK	DENOTES CPK DIMENSIONS, -MINIMUM CPK VALUE
⬡	DENOTES A CHARACTERISTIC THAT PROVIDES AN INDICATION OF PROCESS PERFORMANCE. PROCEDURE FOR MEASUREMENT AND TRACKING TO BE DEFINED IN LITTELFUSE INSPECTION INSTRUCTIONS.
CP	DENOTES CP DIMENSIONS, -MINIMUM CP VALUE MUST BE WITHIN THE DIMENSIONAL LIMITATIONS SHOWN ON DRAWING AND INITIALLY LOCATED TO ALLOW FOR MAXIMUM TOOL LIFE.

B

MATL SPEC		FINISH	
DRW myork	DATE 8/17/2018	SCALE NTS	FINISH GOOD WT GRAMS/PIECE

UNLESS OTHERWISE SPECIFIED, DIMENSIONS ARE IN MILLIMETERS, DIMENSIONS IN BRACKETS [] ARE INCHES DIMENSIONING AND DO NOT INCLUDE PLATING. TOLERANCING TO BE INTERPRETED IN ACCORDANCE WITH ANSI Y14.5M-1994

3RD ANGLE PROJECTION	
----------------------	--

TITLE	WCL012 OUTLINE		
	REVISION	DRWG NO.	SHEET 1 OF 1
CHICAGO, ILLINOIS 60631	B	OL-WCL012	