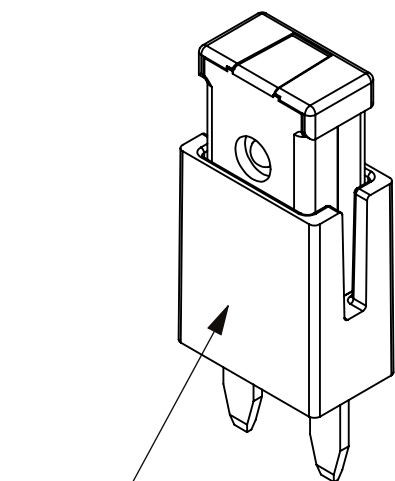
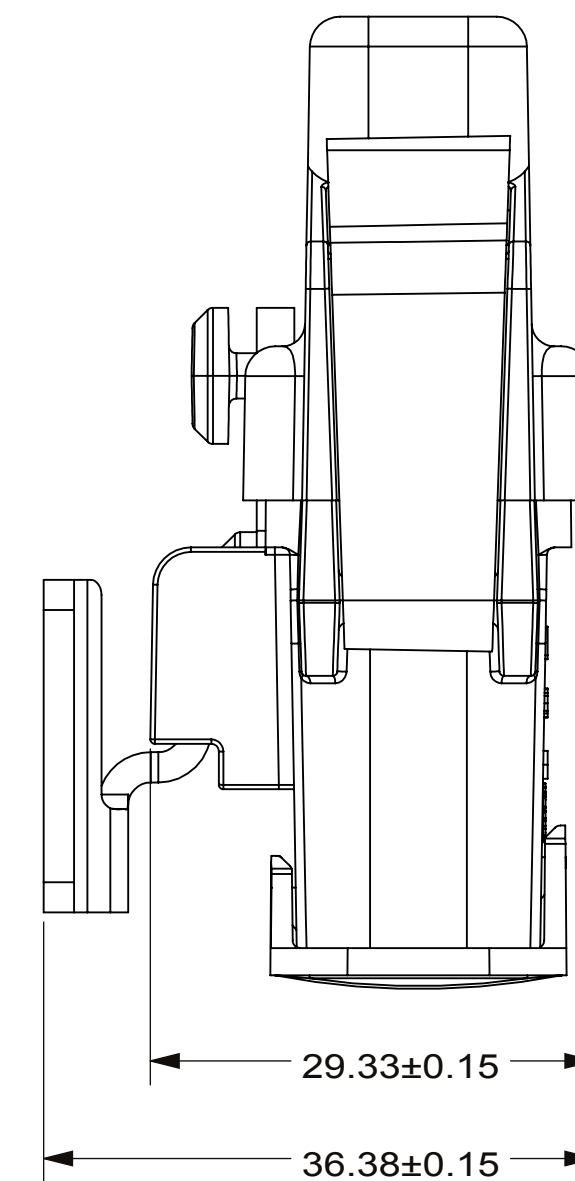
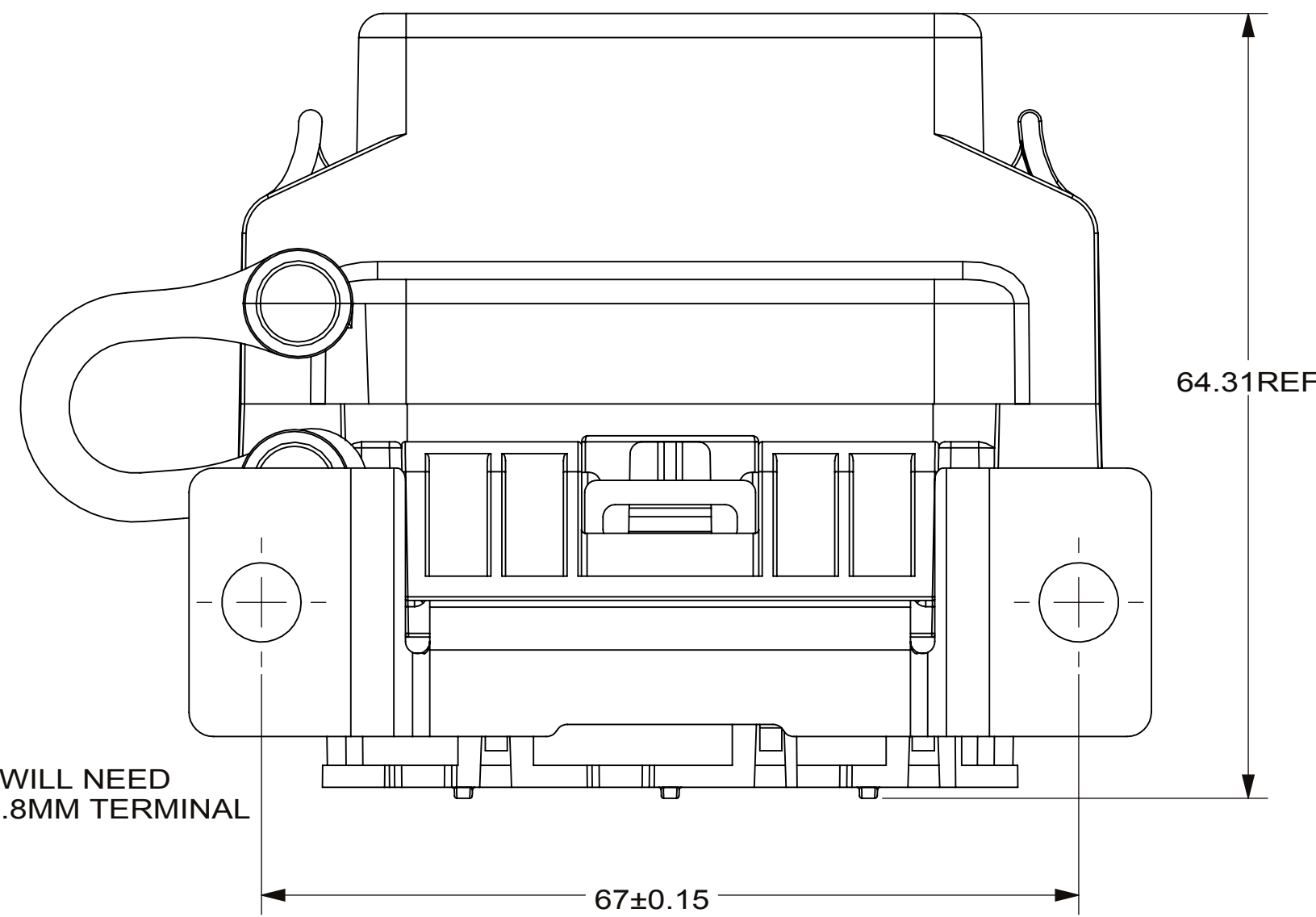
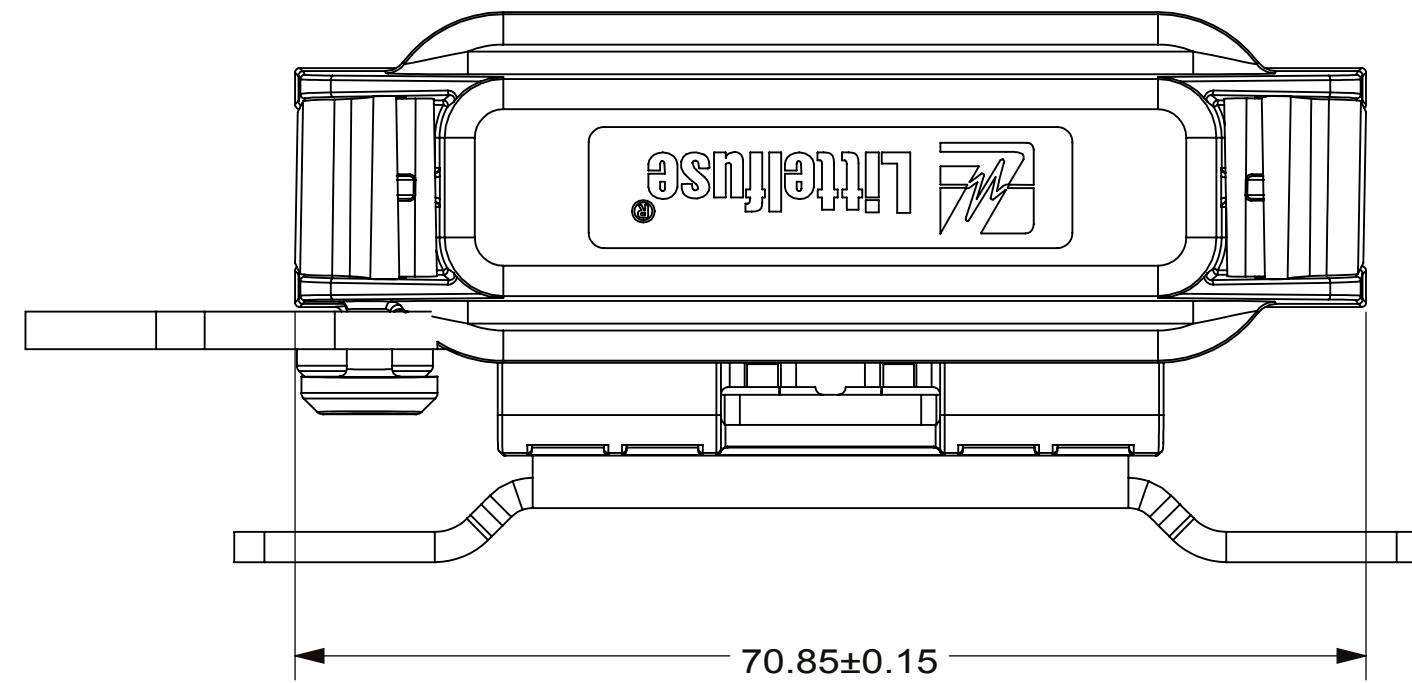


THIS DRAWING AND THE INFORMATION CONTAINED WITHIN IT ARE CONFIDENTIAL AND MAY NOT BE COPIED OR DISCLOSED WITHOUT THE WRITTEN PERMISSION OF LITTELFUSE.

PDM NOTES:

1. MATERIAL: THERMOPLASTIC, UL94 V-0
2. OPERATING TEMPERATURE RANGE: -40 °C TO +85 °C
3. MATE WITH TYCO AMP MCP 2.8 FEMALE TERMINAL, FLR CABLE FOLLOW ISO 6722 CLASS C AND DIN 72511, DETAIL SEE CHART BELOW
4. SIX (6) TERMINAL PORTS ARE CAPABLE OF HOLDING THREE (3) MINI FUSES OR A COMBINATION OF MIMI FUSES, MCASE, AND MINI CIRCUIT BREAKERS
5. 2.8MM BLADES RATED FOR MAXIMUM 40A (AT 20°C AMBIENT TEMPERATURE), TOTAL MAXIMUM CURRENT 120A
6. TPAS AND METAL BRACKET(868-964) TO BE PACKED ALONG WITH THE HOLDER SEPARATELY IN BULK, AND THE BASE WITH COVER, YELLOW LATCH, AND SEAL INSTALLED
7. OPTIONAL TETHER (890009470) TO BE INSTALLED WITH THE PIN ON COVER AND THE PIN ON THE BASE
8. OPTIONAL BRACKET (868-964) CAN BE SOLD SEPARATELY
9. CAPABLE OF 25A CONTINUOUS CURRENT
10. MOUNTING TORQUE: 5.5-6.5NM, USING M6 BOLT & LOCK WASHER
11. INGRESS PROTECTION RATING: IP67
12. IN EACH SINGLE CIRCUIT OF THIS HOLDER, THE MAX CONTINUOUS CURRENT WHICH CAN CARRY IS 30A.

REVISIONS				
ZONE	REV.	DESCRIPTION	DATE	APPROVED
	A	PER EC # 515567: INITIAL RELEASE	3/30/2016	D.CHENG
	B	ECA# 516382 CHANGE DIMENSION 64.31+/-0.2 TO 64.31REF	9/21/2016	D.CHENG
	C	ECA# 518749 ADD PDM32005ZXM INTO TABLE DRAWING	05/Feb/2018	D.CHENG
	D	ECA# 520270 ADD THE MAX CONTINUOUS CURRENT IN NOTES	09/JAN/2019	D.CHENG



OPTIONAL:
MCASE ADAPTER (875-584) WILL NEED
IF USING MCASE FUSE IN 2.8MM TERMINAL

NOTE: DESIGN AND APPLICATION FOR TE AMP MCP 2.8 FEMALE TERMINAL, DETAILS AS BELOW
WIRE SPEC: DIN 72551 AND ISO 6722, CLASS B

Wire Size range(mm2)	Insulation Diameter(mm) FLR	Material and Finish	Part Number Strip Form	TE Cable Seal Part Number	Cable Seal Color
0.35-0.50	1.2-1.4	1-xxx-1/1-xxx-3	968882	828904-1	Blue
0.5-1.0	1.4-2.1	1-xxx-1/1-xxx-2/1-xxx-3	968855	828904-2	
1.0-2.5	2.2-3.0	1-xxx-1/1-xxx-3	968857	828905-1	White
			Cable Seal Plug	828922-1	Natural

Material and Finish: 1-xxx-1 = CuNiSi, pre-tin plated
: 1-xxx-2 = CuNiSi, selective gold plated
: 1-xxx-3 = CuNiSi, selective silver plated

DIMENSIONS ARE SHOWN IN MILLIMETERS. DIMENSIONS AND TOLERANCES ARE DEFINED ACCORDING TO ANSIS/ASME Y14.5-1994.

- DENOTES PRODUCTS CRITICAL CHARACTERISTICS
- CPK DENOTES CPK DIMENSIONS MINIMUM CPK VALUE
- ST DENOTES A CHARACTERISTIC THAT PROVIDES AN INDICATION OF PROCESS PERFORMANCE PROCEDURE FOR MEASUREMENT AND TRACKING TO BE DEFINED IN LITTELFUSE INSPECTION INSTRUCTIONS
- CP DENOTES CP DIMENSIONS, -MINIMUM CP VALUE MUST BE WITHIN THE DIMENSIONAL LIMITATIONS SHOWN ON DRAWING AND INITIALLY LOCATED TO ALLOW FOR MAXIMUM TOOL LIFE

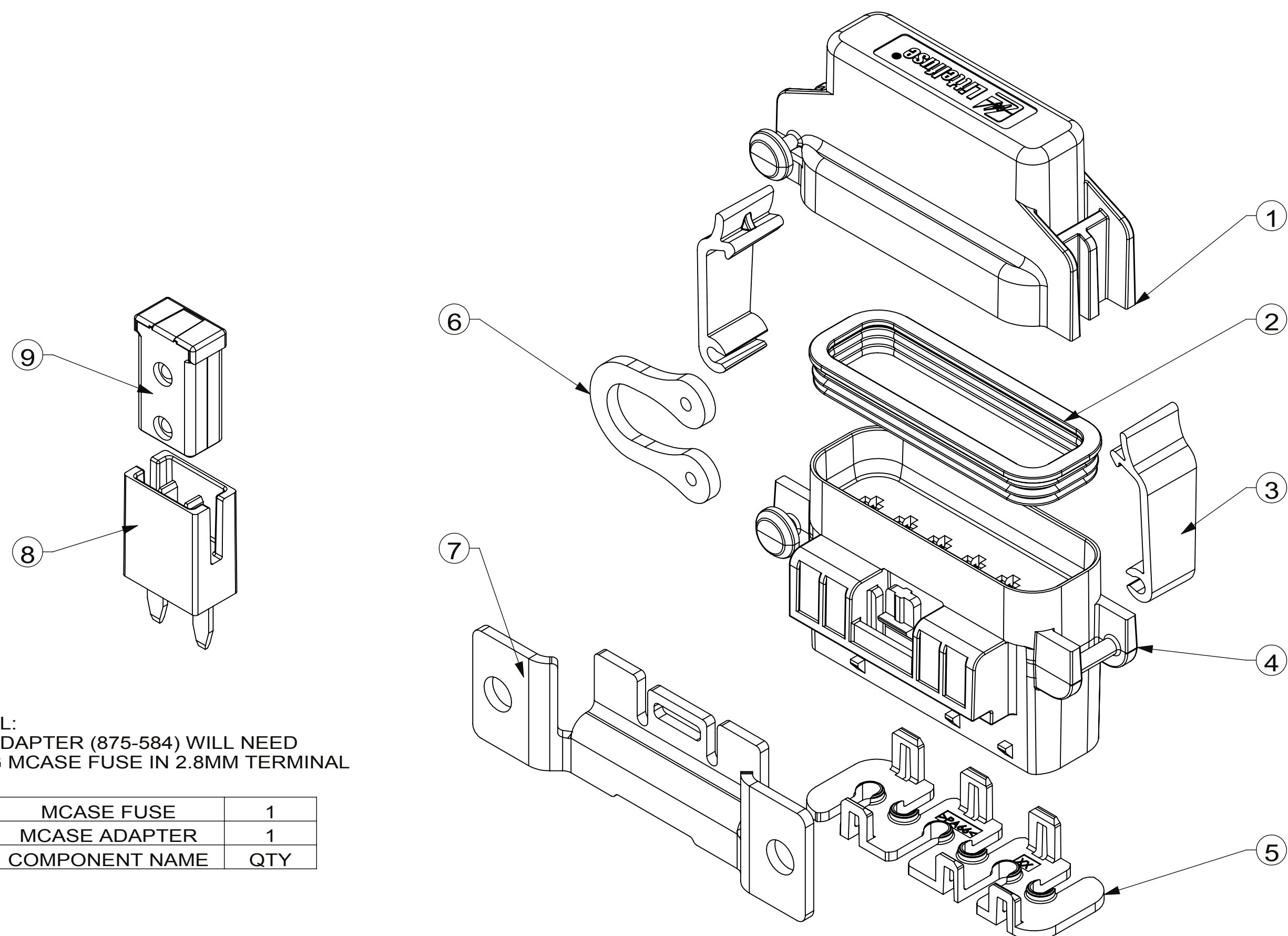
TOLERANCES UNLESS OTHERWISE SPECIFIED (REF. ISO2768-M)

DIMENSION	UP TO 0.5	OVER 0.5 - 3	UP TO 3	OVER 3 - 6	UP TO 6	OVER 6 - 30	UP TO 30	OVER 30 - 120	UP TO 120	OVER 120 - 400	ANGLE
TOLERANCES	±0.1	±0.1	±0.2	±0.2	±0.3	±0.5	±0.5	±0.5	±0.5	±0.5	±0.5°

NAME	DATE	<p>Excerpte Applicat Answer's Be. word No.6 Xinghai Street, Suzhou Industry Park, China Phone +86 512 6761 3189 Fax +86 512 6781 1489</p>
DRAWN	D.CHENG 2/18/2016	
CHECKED		
TITLE		HWB6 ASSY MARKET
THIRD ANGLE PROJECTION		
SIZE	DWG. NO.	REV.
C	OL-PDM32000ZXM	D
DO NOT SCALE DRAWING		SHEET 1 OF 3

THIS DRAWING AND THE INFORMATION CONTAINED WITHIN IT ARE CONFIDENTIAL AND MAY NOT BE COPIED OR DISCLOSED WITHOUT THE WRITTEN PERMISSION OF LITTELFUSE.

REVISIONS				
ZONE	REV.	DESCRIPTION	DATE	APPROVED
	A	PER EC # 515567: INITIAL RELEASE	3/30/2016	D.CHENG
	B	ECA# 516382 CHANGE DIMENSION 64.31+/-0.2 TO 64.31REF	9/21/2016	D.CHENG
	C	ECA# 518749 ADD PDM32005ZXM INTO TABLE DRAWING	05/Feb/2018	D.CHENG
	D	ECA# 520270 ADD THE MAX CONTINUOUS CURRENT IN NOTES	09/Jan/2019	D.CHENG



OPTIONAL:
MCASE ADAPTER (875-584) WILL NEED
IF USING MCASE FUSE IN 2.8MM TERMINAL

NO.	COMPONENT NAME	QTY
9	MCASE FUSE	1
8	MCASE ADAPTER	1

NO.	COMPONENT NAME	QTY
7	BRACKET NEW	1
6	TETHER HOLDER	1
5	TPA	1
4	BASE	1
3	YELLOW LATCH WITH GRIP	2
2	SILICON RUBBER	1
1	COVER	1

MARKET VERSION

HWB6 P/N	COVER TALLER CLEAR	COVER TALLER BLAC	BRACKET	COVER SHORT LF LOGO(BLK)
PDM32001ZXM	X			
PDM32002ZXM		X		
PDM32003ZXM	X		X	
PDM32004ZXM		X	X	
PDM32005ZXM				X

DIMENSIONS ARE SHOWN IN MILLIMETERS. DIMENSIONS AND TOLERANCES ARE DEFINED ACCORDING TO ANSIS/ASME Y14.5-1994.

- DENOTES PRODUCTS CRITICAL CHARACTERISTICS
- CPK DENOTES CPK DIMENSIONS MINIMUM CPK VALUE
- ST DENOTES A CHARACTERISTIC THAT PROVIDES AN INDICATION OF PROCESS PERFORMANCE PROCEDURE FOR MEASUREMENT AND TRACKING TO BE DEFINED IN LITTELFUSE INSPECTION INSTRUCTIONS
- CP DENOTES CP DIMENSIONS. -MINIMUM CP VALUE MUST BE WITHIN THE DIMENSIONAL LIMITATIONS SHOWN ON DRAWING AND INITIALLY LOCATED TO ALLOW FOR MAXIMUM TOOL LIFE

TOLERANCES UNLESS OTHERWISE SPECIFIED (REF. ISO2768-M)

DIMENSION	UP TO 0.5	OVER 0.5 - 3	UP TO 3 - 6	OVER 3 - 6	UP TO 6 - 30	OVER 6 - 30	UP TO 30 - 120	OVER 30 - 120	UP TO 120 - 400	OVER 120 - 400	ANGLE
TOLERANCES	±0.1	±0.1	±0.2	±0.2	±0.3	±0.3	±0.5	±0.5	±0.5	±0.5	±0.5°

NAME	DATE
DRAWN D.CHENG	2/18/2016
CHECKED	

Littelfuse
 Exactrite Applied | Anhui's Best
 No.6 Xinghai Street, Suzhou Industry Park, China
 Phone +86 512 6761 3189 Fax +86 512 6761 1489

TITLE
HWB6 ASSY MARKET

THIRD ANGLE PROJECTION

DO NOT SCALE DRAWING

SCALE 1:1

DWG. NO. OL-PDM32000ZXM

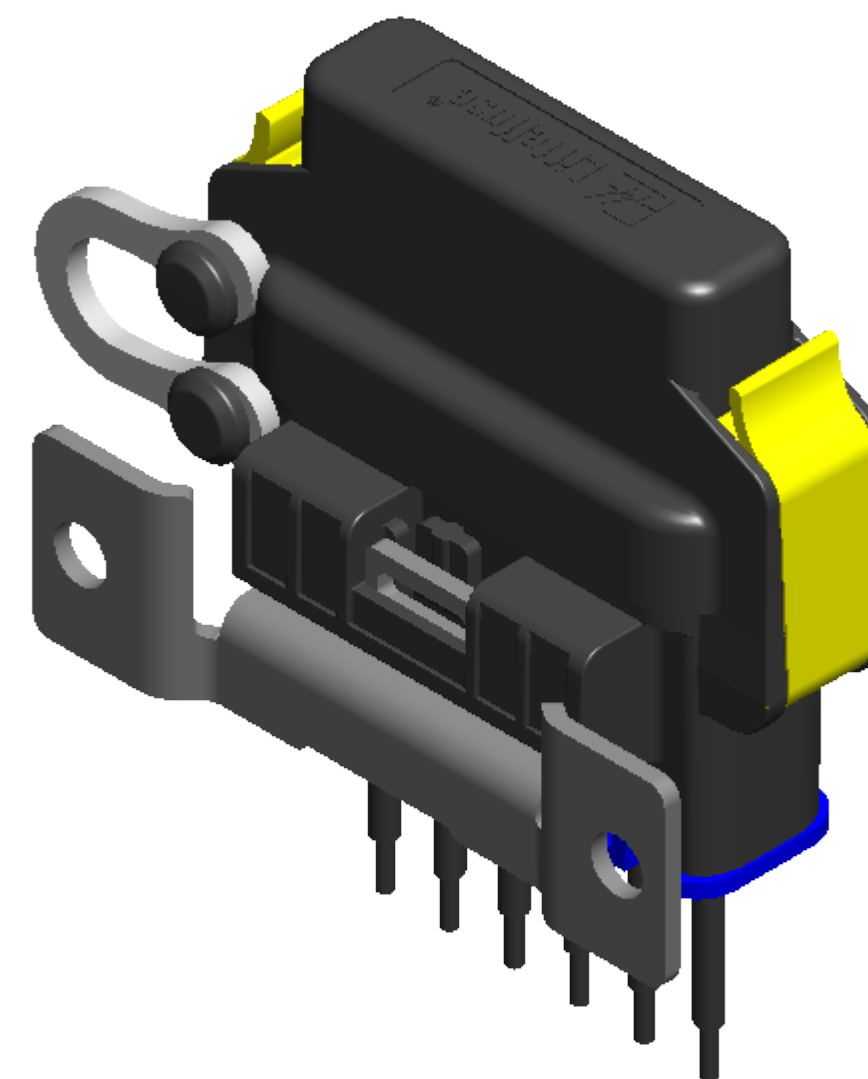
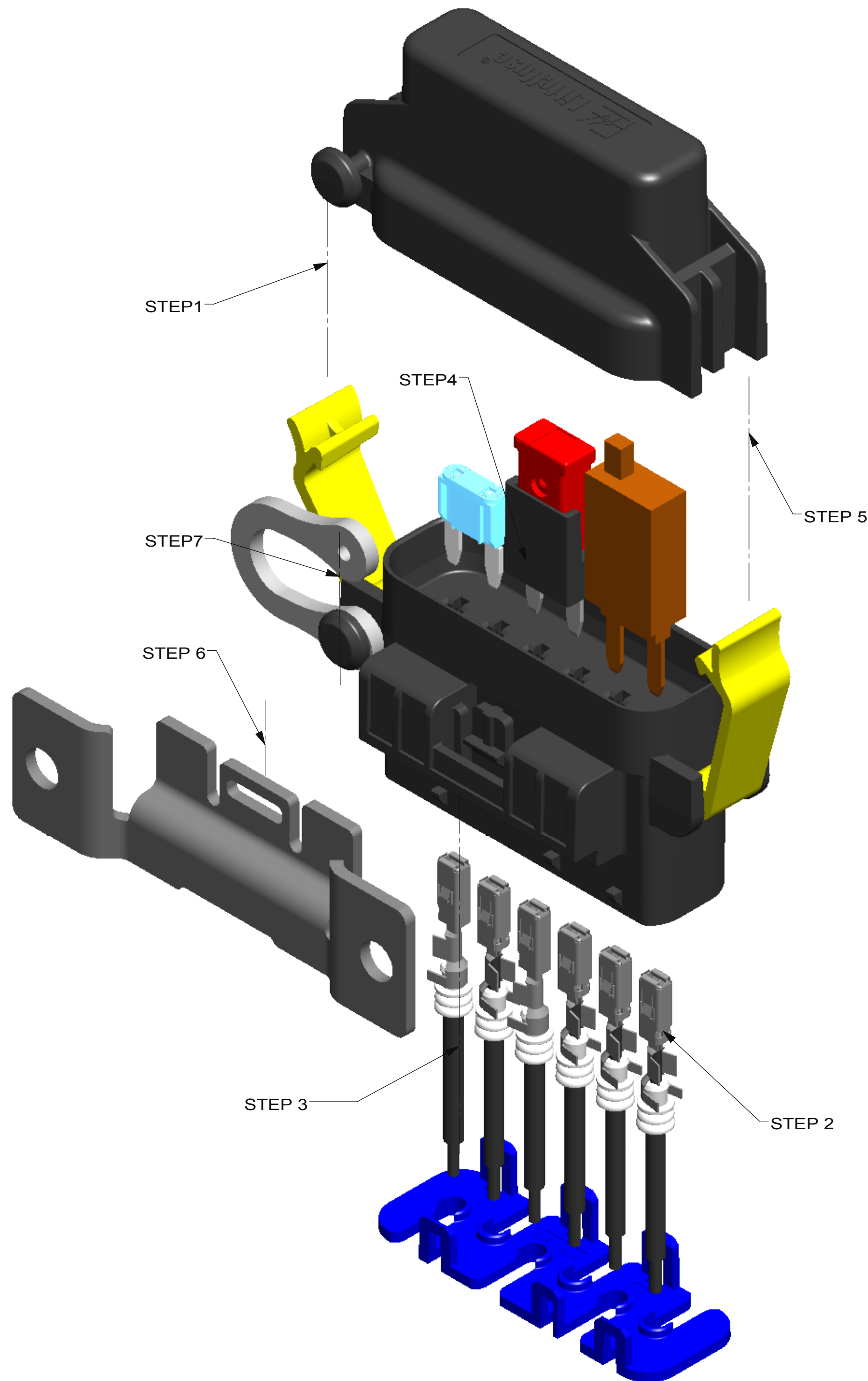
REV. D

SHEET 2 OF 3

REVISIONS				
ZONE	REV.	DESCRIPTION	DATE	APPROVED
	A	PER EC # 515567: INITIAL RELEASE	3/30/2016	D.CHENG
	B	ECA# 516382 CHANGE DIMENSION 64.31+/-0.2 TO 64.31REF	9/21/2016	D.CHENG
	C	ECA# 518749 ADD PDM32005ZXM INTO TABLE DRAWING	05/Feb/2018	D.CHENG
	D	ECA# 520270 ADD THE MAX CONTINOUS CURRENT IN NOTES	09/Jan/2019	D.CHENG

ASSEMBLY STEPS(FOR CUSTOMER ASSEMBLY USE ONLY)

- STEP1: OPEN THE YELLOW LATCHES BY HAND OR A SIMPLE TOOL LIKE SCREW DRIVER, AND REMOVE COVER,
- STEP2: PUT CABLE THROUGH THE CABLE SEAL AND STRIP THE CABLE AND CRIIMP THE CABLE AND CABLE SEAL WITH TYCO 2.8MM TERMINAL.
- STEP3: BEND THE CABLE TO 2 LINES AND MAKE THE TPA GO THROUGH SMOOTHLY AND THEN PUSH THE CABLE AND TERMINAL TO BASE CABLE CAVITIES UNTIL HEAR A CLICK SOUND, THEN SNAPPING TPA TO BASE,
- STEP4: INSERT 3 MINI FUSES OR COMBINATION OF MINI FUSE, MCASE FUSE(NEED ADAPTER), AND MINI CIRCUIT BREAKER,
- STEP5: ASSEMBLE THE COVER (SEAL SEATED BY LATCHES) WITH BASE AND SNAPPING THE YELLOW LATCH,
- STEP6: OPTIONAL: ASSEMBLE THE BRACKET TO BASE.
- STEP7: OPTIONAL: ASSEMBLE THE TETHER TO PIN OF BASE AND COVER.



DIMENSIONS ARE SHOWN IN MILLIMETERS. DIMENSIONS AND TOLERANCES ARE DEFINED ACCORDING TO ANSIS/ASME Y14.5-1994.	
●	DENOTES PRODUCTS CRITICAL CHARACTERISTICS
CPK	DENOTES CPK DIMENSIONS MINIMUM CPK VALUE
ST	DENOTES A CHARACTERISTIC THAT PROVIDES AN INDICATION OF PROCESS PERFORMANCE PROCEDURE FOR MEASUREMENT AND TRACKING TO BE DEFINED IN LITTELFUSE INSPECTION INSTRUCTIONS
CP	DENOTES CP DIMENSIONS, -MINIMUM CP VALUE MUST BE WITHIN THE DIMENSIONAL LIMITATIONS SHOWN ON DRAWING AND INITIALLY LOCATED TO ALLOW FOR MAXIMUM TOOL LIFE
TOLERANCES UNLESS OTHERWISE SPECIFIED (REF. ISO2768-M)	
DIMENSION	UP TO 0.5 - 3 OVER 3 - 6 OVER 6 - 30 OVER 30 - 120 OVER 120 - 400 ANGLE
TOLERANCES	±0.1 ±0.1 ±0.2 ±0.3 ±0.5 ±0.5°
DRAWN	D.CHENG 2/18/2016
CHECKED	
 No.6 Xinghai Street, Suzhou Industry Park, China Phone +86 512 6761 3189 Fax +86 512 6761 1489	
TITLE HWB6 ASSY MARKET	
THIRD ANGLE PROJECTION	
SIZE	C
DWG. NO.	OL-PDM32000ZXM
REV.	D
DO NOT SCALE DRAWING	SCALE 1:1
SHEET 3 OF 3	