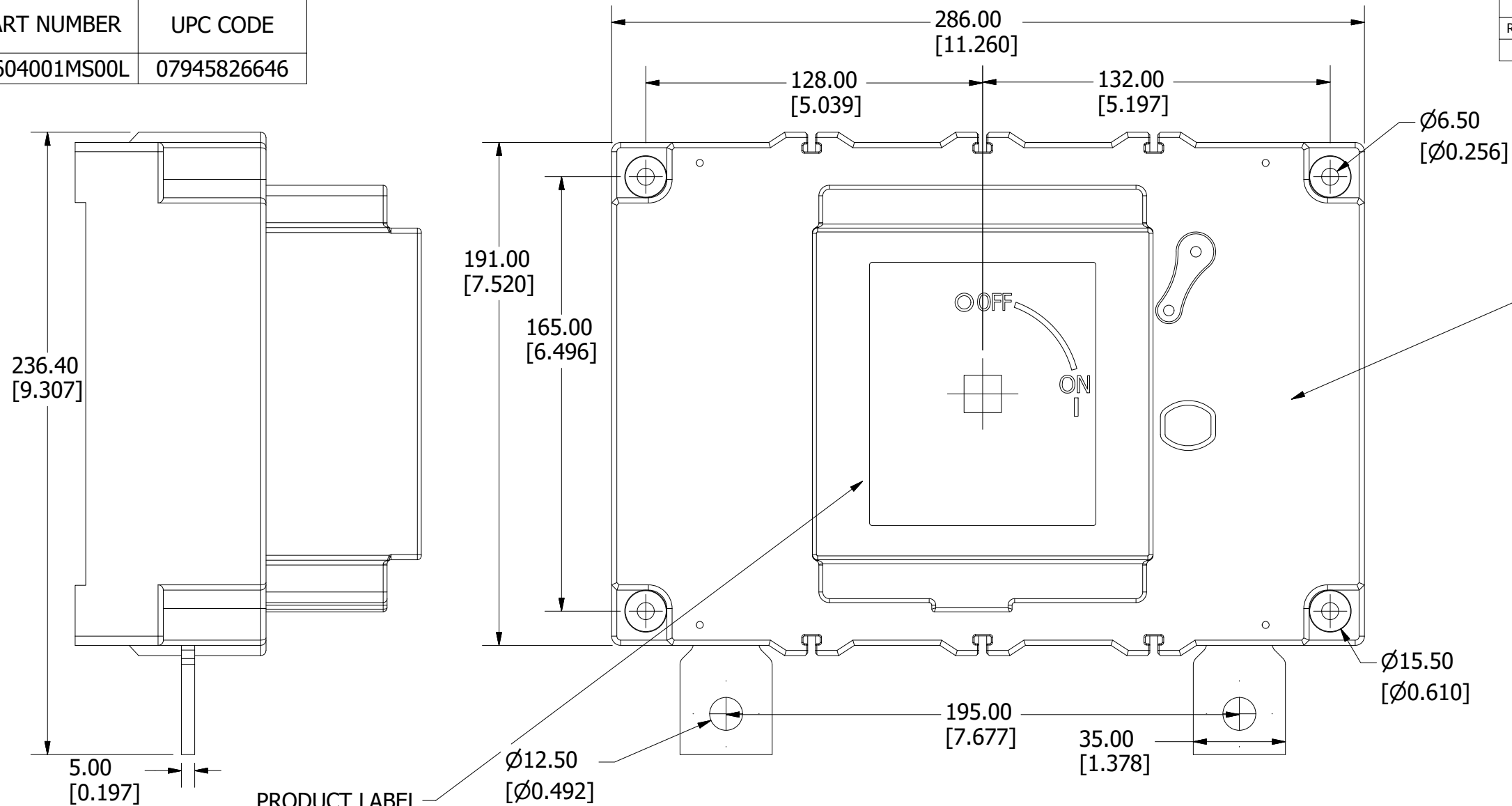


PART NUMBER	UPC CODE
LS604001MS00L	07945826646

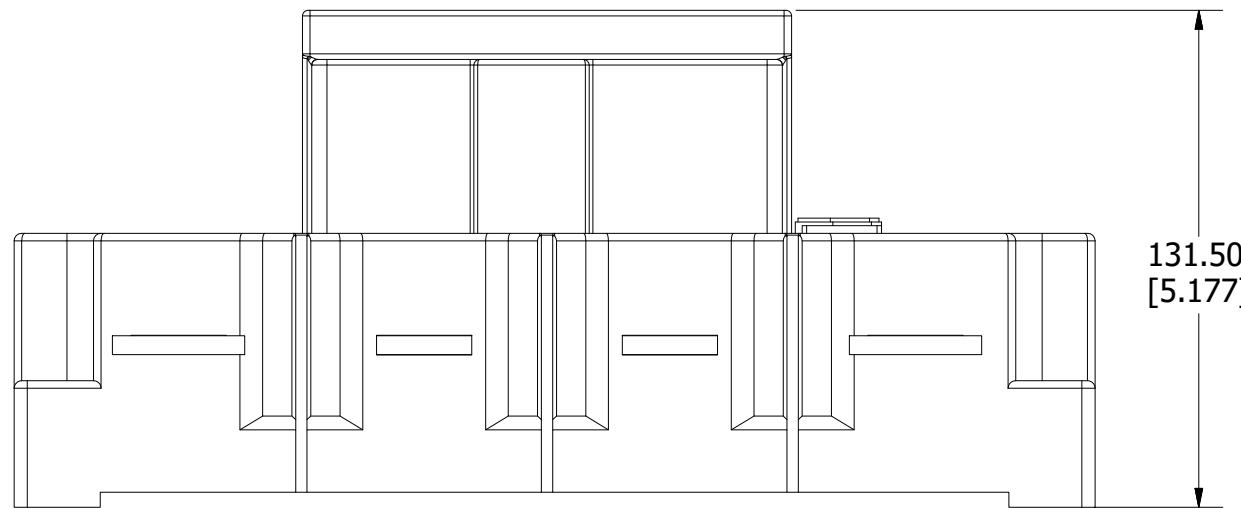
REVISION		
REV	DATE	DESCRIPTION
A	4/21/20	522213GCP - RELEASE MRY



SPEC LABEL

Par apriete terminal lugs	
Terminal torque	24 Nxm
Couple de serrage	212 lbf.in
des terminaux	
Bolsa terminales	
Kit terminal lugs	LDRTL22W
Kit de terminaux	
Tipo cable	
Wire type	Cu
Type de câble	
Rango de temperatura	
Temperature rating	75 °C
Intervale de temperaturas	
Fecha de fabricación	
Manufacture date	01/08/20
Date de fabrication	

PRODUCT LABEL



<S>	CRITICAL CHARACTERISTIC FOR PART SAFETY/COMPLIANCE
●	DENOTES CRITICAL CHARACTERISTICS.
CPK	DENOTES CPK DIMENSIONS, -MINIMUM CPK VALUE
⊆	DENOTES A CHARACTERISTIC THAT PROVIDES AN INDICATION OF PROCESS PERFORMANCE. PROCEDURE FOR MEASUREMENT AND TRACKING TO BE DEFINED IN LITTELFUSE INSPECTION INSTRUCTIONS.
CP	DENOTES CP DIMENSIONS, -MINIMUM CP VALUE MUST BE WITHIN THE DIMENSIONAL LIMITATIONS SHOWN ON DRAWING AND INITIALLY LOCATED TO ALLOW FOR MAXIMUM TOOL LIFE.

B

MATL SPEC	FINISH		
DRW myork	DATE 10/23/2019	SCALE NTS	FINISH GOOD WT GRAMS/PIECE
UNLESS OTHERWISE SPECIFIED, DIMENSIONS ARE IN MILLIMETERS, DIMENSIONS IN BRACKETS [] ARE INCHES DIMENSIONING AND DO NOT INCLUDE PLATING. TOLERANCING TO BE INTERPRETED IN ACCORDANCE WITH ANSI Y14.5M-1994			
3RD ANGLE PROJECTION	TOLERANCE UNLESS OTHERWISE SPECIFIED ONE PLACE DEC ± .25 [.01] FRACTION ± TWO PLACE DEC ± .100 [.004] ANGULAR ±1°		

TITLE	DISCONNECT SWITCH 400A 1000VDC 1 POLE OUTLINE		
Littelfuse CHICAGO, ILLINOIS 60631	REVISION A	DRWG NO. OL-LS604001MS00L	SHEET 1 OF 1