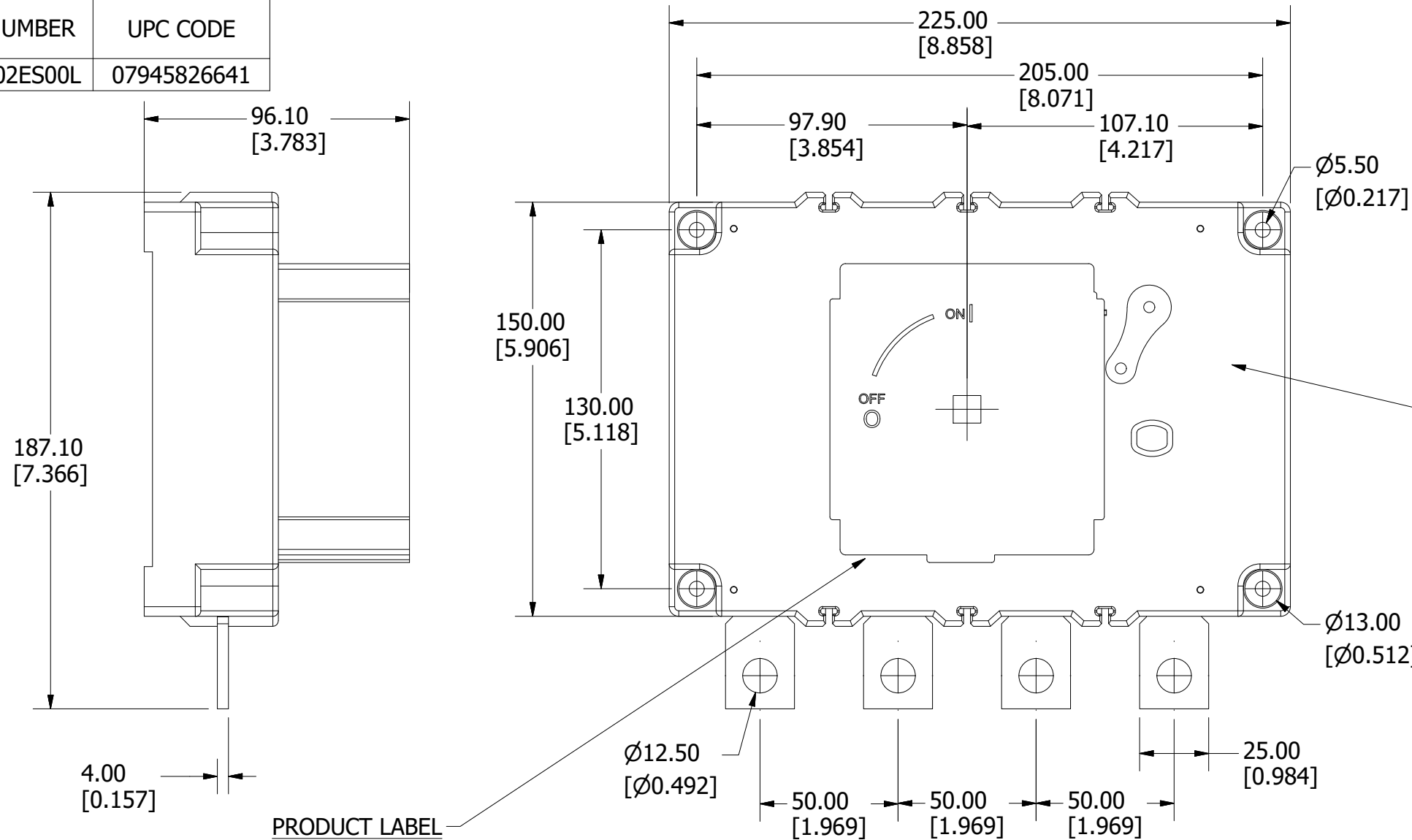


PART NUMBER	UPC CODE
LS602502ES00L	07945826641

REVISION		
REV	DATE	DESCRIPTION
A	4/21/20	522213GCP - RELEASE MRY
B	7/20/20	522414ECP/D - ADD DIMENSIONS MRY



**SPEC LABEL**

See instructions 44072012

Par apriete terminal lugs  
Terminal torque  
Couple de serrage 18 Nxm  
des terminaux 159 lbfxin

Bolsa terminales  
Kit terminal lugs LDRTL11W  
Kit de terminaux

Tipo cable  
Wire type Cu  
Type de câble

Rango de temperatura  
Temperature rating  
Intervale de  
temperatures 75 °C

Fecha de fabricación  
Manufacture date 01/08/20  
Date de fabrication

**PRODUCT LABEL**

UL LISTED E511898  
MADE IN SPAIN  
LS602502ES00L  
Littelfuse

Open Type PV switch

CE

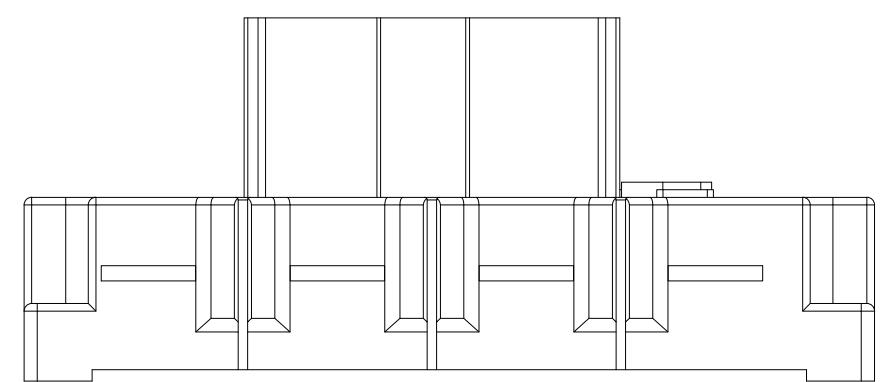
ON OFF

1 1 1 2

IEC-60947-3  
Uimp 12 kV  
DC21B-1000 V dc-250 A  
Ui 1500 V dc lth 250 A

LS6

Conforms to UL98B. -20 °C to 50 °C. PV disconnect switch. Location category B  
1000 V dc 250 A. Short circuit rating: 10 kA. Torque: 159 lbf.in.  
Suitable for use in PV systems in accordance with article 690 of the NEC.  
This switch is suitable for use in a PV system capable of delivering not more than  
10 kA, when protected by a PV fuse or PV circuit breaker.



<S>	CRITICAL CHARACTERISTIC FOR PART SAFETY/COMPLIANCE
●	DENOTES CRITICAL CHARACTERISTICS.
CPK	DENOTES CPK DIMENSIONS, -MINIMUM CPK VALUE
⬡	DENOTES A CHARACTERISTIC THAT PROVIDES AN INDICATION OF PROCESS PERFORMANCE. PROCEDURE FOR MEASUREMENT AND TRACKING TO BE DEFINED IN LITTELFUSE INSPECTION INSTRUCTIONS.
CP	DENOTES CP DIMENSIONS, -MINIMUM CP VALUE MUST BE WITHIN THE DIMENSIONAL LIMITATIONS SHOWN ON DRAWING AND INITIALLY LOCATED TO ALLOW FOR MAXIMUM TOOL LIFE.

MATL SPEC	FINISH		
DRW myork	DATE 11/11/2019	SCALE NTS	FINISH GOOD WT GRAMS/PIECE

UNLESS OTHERWISE SPECIFIED, DIMENSIONS ARE IN MILLIMETERS, DIMENSIONS IN BRACKETS [ ] ARE INCHES DIMENSIONING AND DO NOT INCLUDE PLATING. TOLERANCING TO BE INTERPRETED IN ACCORDANCE WITH ANSI Y14.5M-1994



**TITLE** DISCONNECT SWITCH 250A 1000VDC 2 POLE OUTLINE

<b>Littelfuse</b> CHICAGO, ILLINOIS 60631	REVISION B	DRWG NO. OL-LS602502ES00L	SHEET 1 OF 1
--	---------------	------------------------------	--------------