

PART NUMBER

LPBC13

REVISION

REV

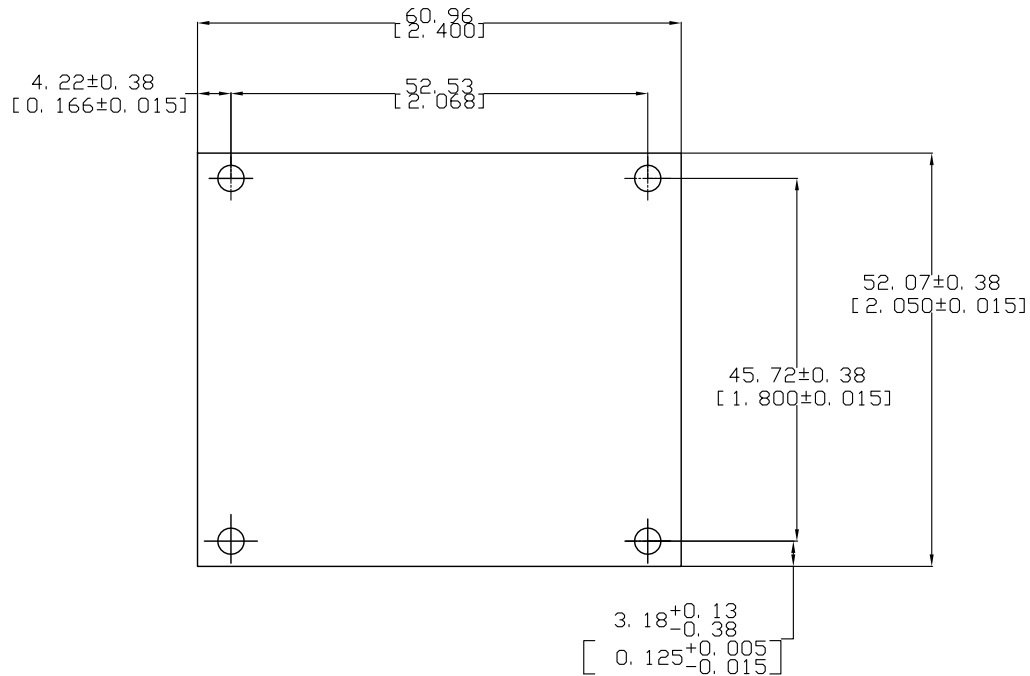
DATE

DESCRIPTION

A

4/22/16

515747GCP - RELEASE PER EM2806 MRY



NOTES

- MATERIAL-CLEAR POLYCARBONATE 1.52 [0.06] THICK
UL RECOGNIZED QMFZ2, RTI-125%, FLAMMABILITY V-2
- EACH COVER INCLUDES (4) #4 SELF TAPPING SCREWS

TOLERANCE (UNLESS OTHERWISE SPECIFIED):

- PLACE ± 2.5 mm [0.1]
- PLACE ± 0.76 mm [0.03]
- PLACE ± 0.381 mm [0.015]

NO	COMPONENT NO	DESCRIPTION	QTY/M	U/M	
BILL OF MATERIAL					
●		DENOTES CRITICAL CHARACTERISTICS.			
CPK		DENOTES CPK DIMENSIONS, -MINIMUM CPK VALUE			
ST		DENOTES A CHARACTERISTIC THAT PROVIDES AN INDICATION OF PROCESS PERFORMANCE. PROCEDURE FOR MEASUREMENT AND TRACKING TO BE DEFINED IN LITTELFUSE INSPECTION INSTRUCTIONS.			
CP		DENOTES CP DIMENSIONS, -MINIMUM CP VALUE MUST BE WITHIN THE DIMENSIONAL LIMITATIONS SHOWN ON DRAWING AND INITIALLY LOCATED TO ALLOW FOR MAXIMUM TOOL LIFE.		A	
MATL SPEC		FINISH			
DRW M. YORK	DATE 1/5/2016	SCALE NTS	FINISH GOOD WT GRAMS/PIECE		
UNLESS OTHERWISE SPECIFIED, DIMENSIONS ARE IN MILLIMETERS, DIMENSIONS IN BRACKETS [] ARE INCHES DIMENSIONING AND DO NOT INCLUDE PLATING. TOLERANCING TO BE INTERPRETED IN ACCORDANCE WITH ANSI Y14.5M-1994					
3RD ANGLE PROJECTION					
TITLE POWER BLOCK COVER OUTLINE					
Littelfuse [®] CHICAGO, ILLINOIS 60631		REVISION A	DRWG NO. OL-LPBC13	SHEET 1 OF 1	