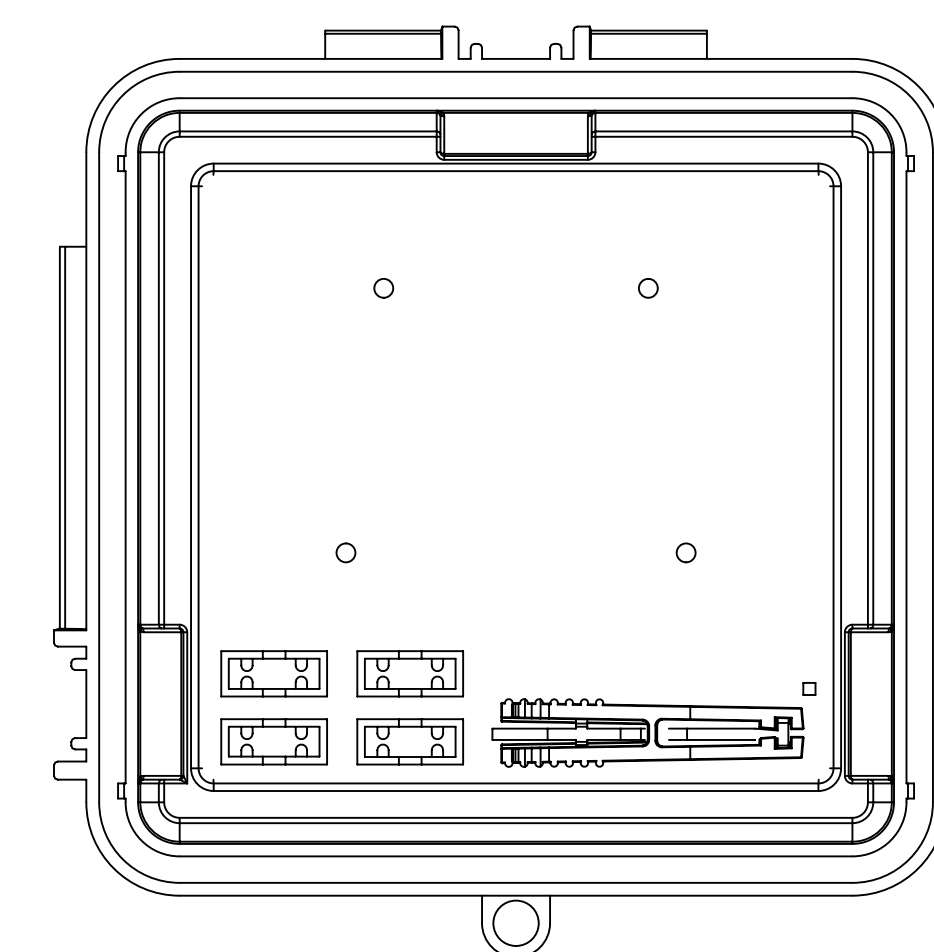
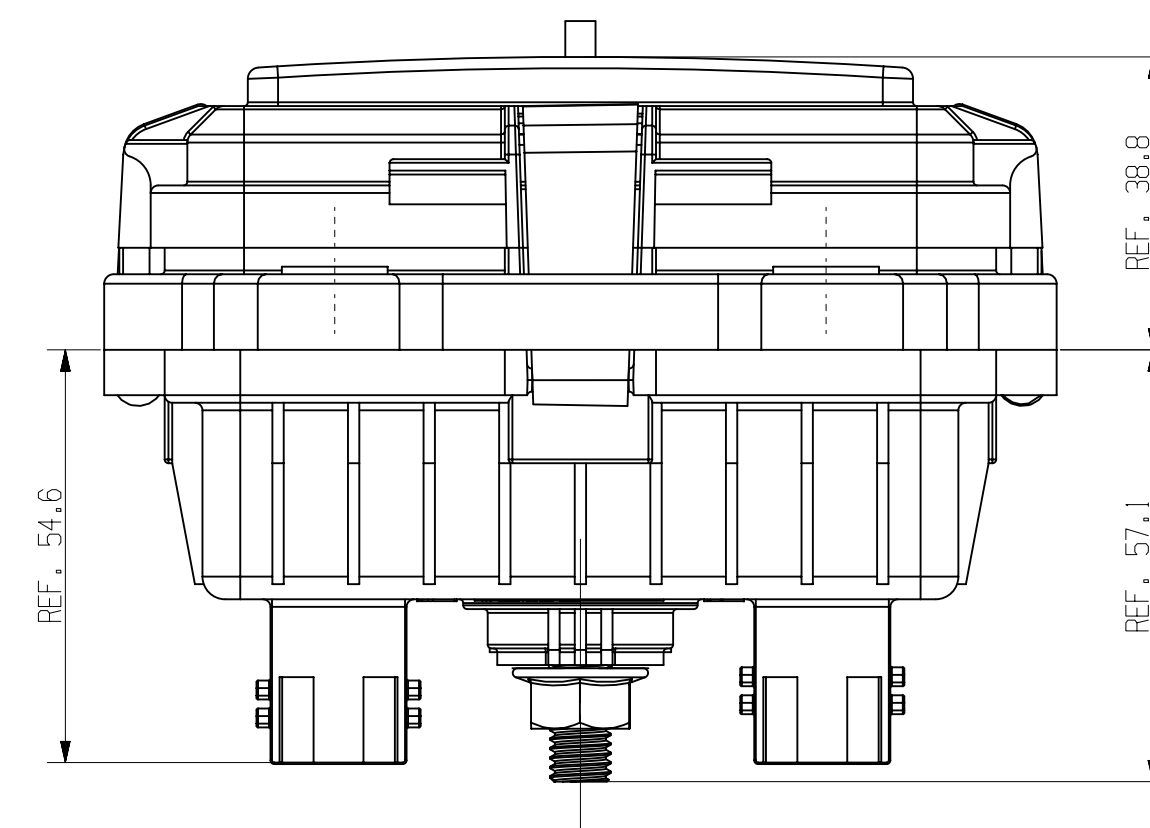
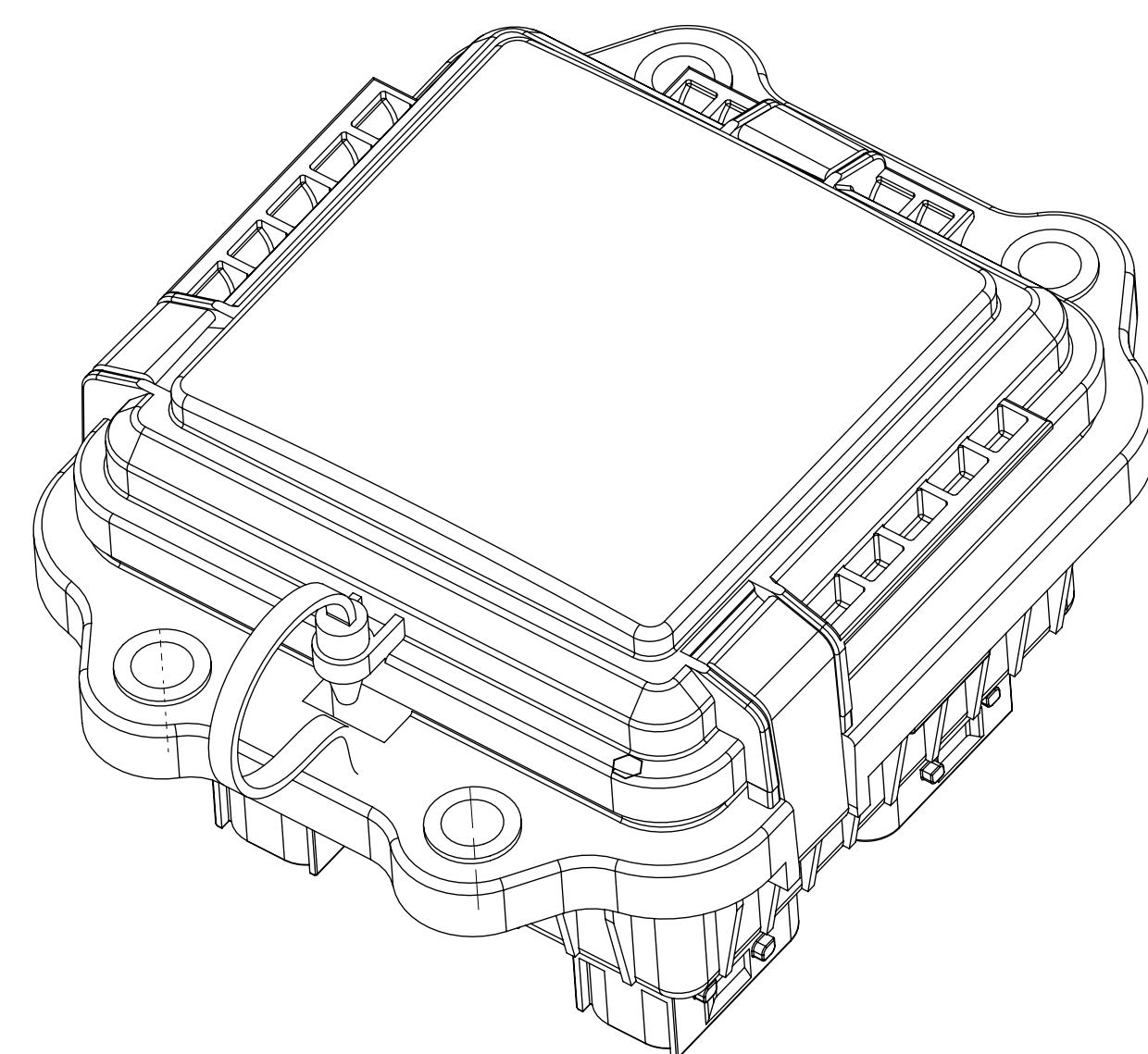
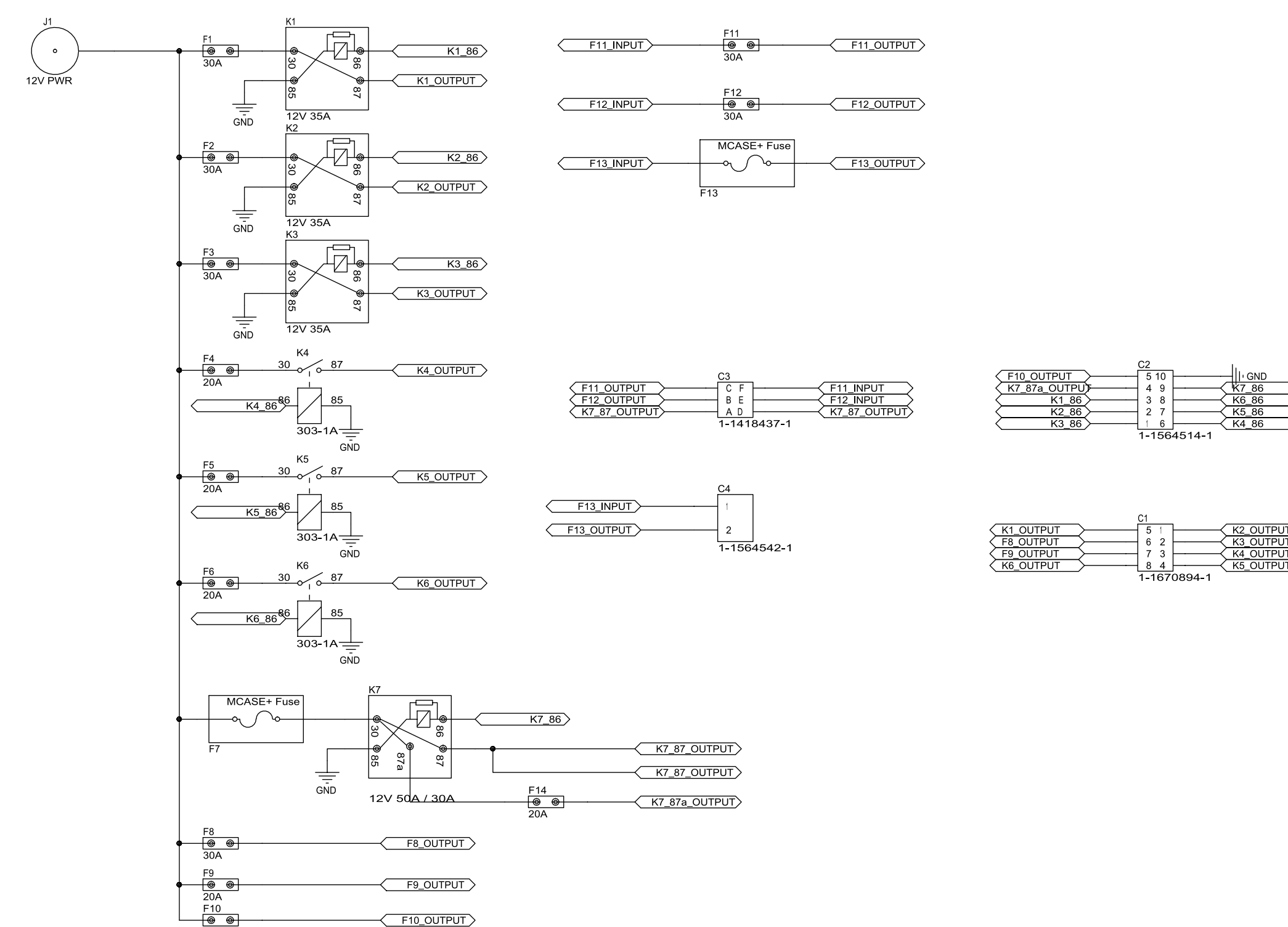
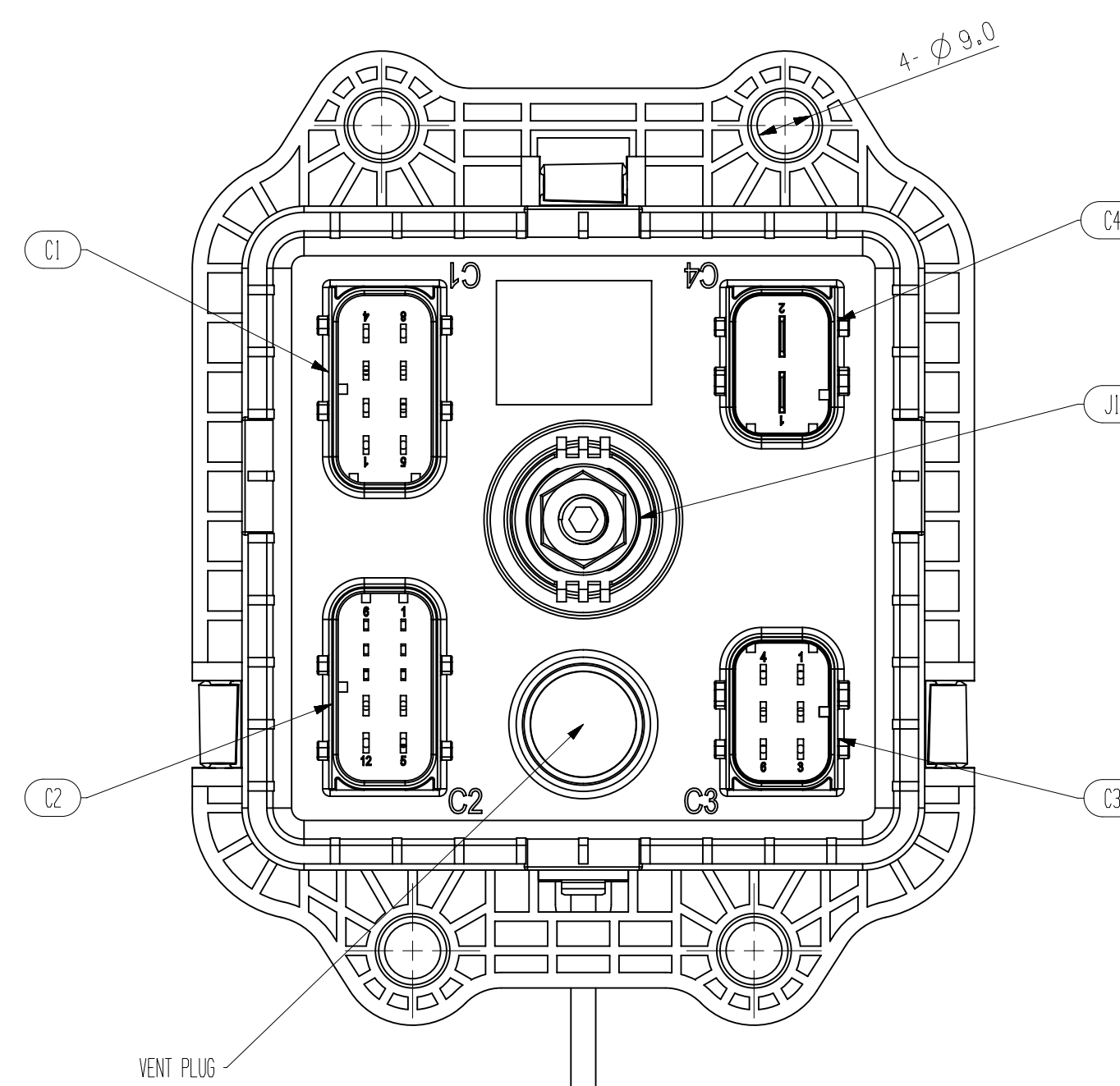
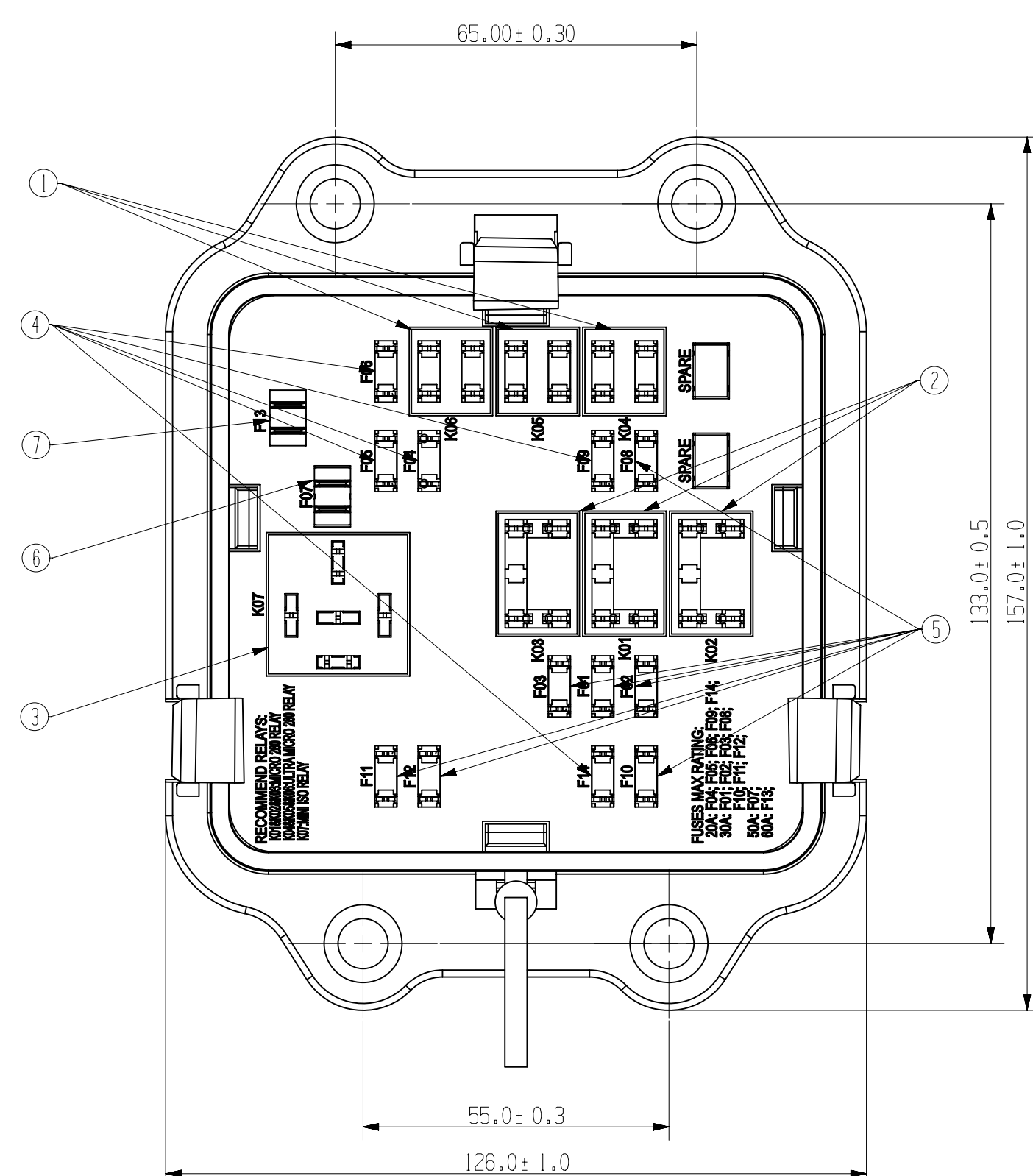


THIS DRAWING AND THE INFORMATION CONTAINED WITHIN IT ARE CONFIDENTIAL AND MAY NOT BE COPIED OR DISCLOSED WITHOUT THE WRITTEN PERMISSION OF LITTELFUSE.

REVISION				
ZONE	REV.	DESCRIPTION	DATE	APPROVED
	A	GCF:518617 NEW RELEASE	09/07/17	
	B	ECN519144 REMOVE RELAYS AND FUSES FOR MARKETING APPLICATION		



SCALE:1:2  
COVER WITH BACK UP FUSES AND FUSE PULLER



NOTES:  
A. MATERIAL: COVER/HOUSING/: PA66GF30IUL94-V0), TETHER: TPE GASKET: SILICON RUBBER  
B. ALL FUSE MUST NOT EXCEED 70% OF RATED CURRENT.  
C. MAX. MAIN INPUT: 150A  
D. OPERATING TEMPERATURE RANGE: -40 C. TO +85 C.  
E. RELAY AND FUSES INSERT ACCORDING TO LABEL.  
F. WB MOUNTING TORQUE: 12-15NM.  
G. INPUT STUD TERMINAL TORQUE: 12-15NM.  
H. INGRESS PROTECTION RATING: IP67.  
I. THE MATED CONNECTOR: SEE DIAGRAM  
J. RECOMMEND RELAYS AND MAX FUSES RATING: SEE THE CHART

NO	POSITION	DESCRIPTION	LITTELFUSE PART #
8	COVER	FUSE PULLER	009700322
ACCESSORY			
7	F13	50A WCASE FUSE 32V	086500.PMPS
6	F07	50A WCASE FUSE 32V	086500.PMPS
5	F01; F02; F03; F08; F10; F11; F12	30A MINI FUSE 32V	029700.WNV
4	F04; F05; F06; F09; F14	20A MINI FUSE 32V	029700.WNV
MAX. FUSES RATING			
3	K7	MINI 150 RELAY	00400802
2	K04; K05; K06	ULTRA MICRO 280 RELAY	00400802
1	K01; K02; K03	MICRO 280 RELAY	00400802
RELAYS			
RECOMMEND RELAYS LITTELFUSE PART #			

C4	1-1564542-1
C3	1-1418437-1
C2	2-1564514-1
C1	1-1670894-1
J1	MB STUD
CONNECTOR	

INTERPRET DRAWING TO ANSI/ASME Y14.5-1994.

- DENOTES PRODUCTS CRITICAL CHARACTERISTICS
- CPK DENOTES CPK DIMENSIONS MINIMUM CPK VALUE
- ST DENOTES A CHARACTERISTIC THAT PROVIDES AN INDICATION OF PROCESS PERFORMANCE PROCEDURE FOR MEASUREMENT TRACKING TO BE DEFINED IN LITTELFUSE INSPECTION INSTRUCTIONS
- CP DENOTES CP DIMENSIONS - MINIMUM CP VALUE MUST BE WITHIN THE DIMENSIONAL LIMITATIONS SHOWN ON DRAWING AND INITIALLY LOCATED TO ALLOW FOR MAXIMUM TOOL LIFE

TOLERANCES UNLESS OTHERWISE SPECIFIED:  
ONE PLACE DECIMAL: ± 0.5  
TWO PLACES DECIMAL: ± 0.20  
THREE PLACES DECIMAL: ± 0.100  
ANGULAR: ± 2°

DRWN	NAME	DATE
CHECKED		

**Littelfuse**  
Expertise Applied / Answers Delivered

TITLE: MARKET FLM

THIRD ANGLE PROJECTION

SIZE: 01  
SCALE: 1:1  
SHEET: 1 OF 1