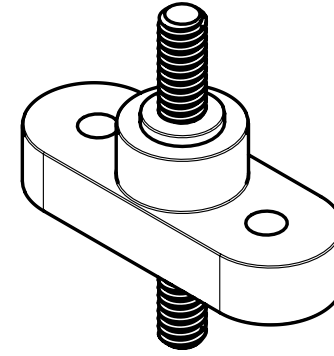
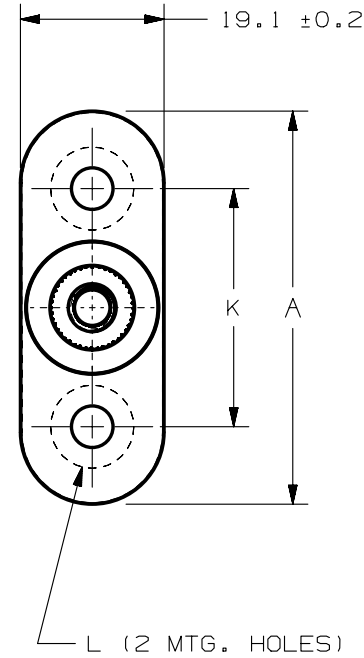
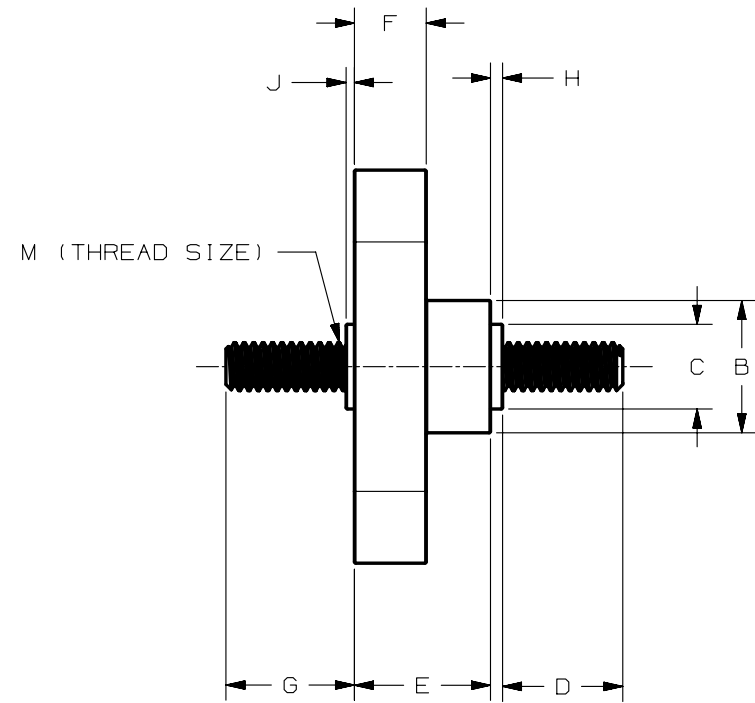


PART NO.	A	B	C	D	E	F	G	H	J	K	L	M	MAX. TORQUE (in-lb/N-m)	MAX. CURRENT RATING (AMPS)	COLOR
JBPT4P01ZXB	52.4 [2.06]	17.5 [0.69]	11.2 [0.44]	15.9 [0.63]	17.5±0.15 [0.69]	7.9 [0.31]	17.5 [0.69]	1.6 [0.06]	1.6 [0.06]	33.3 [1.31]	5.6(0.22) dia. HOLE w/ 10.4(0.41) dia. C'bore x 3.6(0.14) deep	1/4-20	30 [3.4]	100	BLACK



METRIC
ASSEMBLY

NOTES:

- ALL DIMENSIONS ARE FOR REFERENCE ONLY.
- MATERIAL: BODY-> PA66A0520FN-03NC, UL94 V-0
STUD-> STEEL ZN PLATED
- MAXIMUM MOUNTING TORQUE 45 IN.LBS (5 N-m)
- TEMPERATURE RATING: -40°C TO 125°C

UNLESS OTHERWISE SPECIFIED, DIMENSIONS ARE IN MILLIMETERS.
DIMENSIONS IN BRACKETS [] ARE INCHES

UNLESS OTHERWISE SPECIFIED, DIMENSIONS DO NOT INCLUDE PLATING.

⊙ DENOTES CRITICAL CHARACTERISTICS.

CPK DENOTES CPK DIMENSIONS, -MINIMUM CPK VALUE

ST DENOTES A CHARACTERISTIC THAT PROVIDES AN INDICATION OF PROCESS PERFORMANCE. PROCEDURE FOR MEASUREMENT AND TRACKING TO BE DEFINED IN LITTELFUSE INSPECTION INSTRUCTIONS

CP DENOTES CP DIMENSIONS, -MINIMUM CP VALUE MUST BE WITHIN THE DIMENSIONAL LIMITATIONS SHOWN ON DRAWING AND INITIALLY LOCATED TO ALLOW FOR MAXIMUM TOOL LIFE

COPIES TO	1	9	18	MATERIAL SPEC	SEE NOTES
	2	10	19		FINISH
3	12	20	DRW N.ROQUE	DATE	08/09/10
4	13	21	CHK	DATE	
5	14	23	APPD	DATE	
6	15	33	TOLERANCES UNLESS OTHERWISE SPECIFIED (REF. ISO 2768-FH)		
7	16	43	DIMENSION	UP TO	OVER
8	17	53	TOLERANCE	±0.05	±0.1
3RD ANGLE PROJECTION			TITLE		
JUNCTION BLOCKS 1/4"-20 (PASS-THRU)			GRAMS/PIECE		
LITTLEFUSE			REVISION		
LIPA CITY, BATANGAS, PHILIPPINES			DRWG. NO.		
LITTLEFUSE			OUTLINE		
LIPA CITY, BATANGAS, PHILIPPINES			OL-JBPT4		

LTR	DATE	REVISION	CHK	APD
A	5/2/11	502161ERA-RELEASED	NR	
B	7/29/13	509321ERA STUD UNIFY ZPENG		