

PART NO.	FIGURE	A	B	C	D	E	F	G	H	J	K	L	M	MAX. TORQUE (in-lb/N-m)	MAX. CURRENT RATING (AMPS)	WEIGHT	COLOR
JBPT3P01ZXB	1	52.4 (2.06)	23.8 (0.94)	17.5 (0.69)	22.2 (0.87)	17.5 (0.69)	7.9 (0.31)	23.8 (0.94)	1.6 (0.06)	1.6 (0.06)	33.3 (1.31)	5.6(0.22) dia. hole w/ 10.4(0.41) dia. C'bore x 3.6(0.14) deep	3/8-16	150 (17)	250	68.8g	BLACK
JBPT3P02ZXB	1	52.4 (2.06)	22.2 (0.87)	15.9 (0.63)	15.9 (0.63)	28.6 (1.13)	7.9 (0.31)	23.8 (0.94)	1.6±0.15 (0.06)	1.6±0.15 (0.06)	33.3 (1.31)	5.6(0.22) dia. hole w/ 10.4(0.41) dia. C'bore x 3.6(0.14) deep	3/8-16	150 (17)	250	80.5g	BLACK
JBPT3N03ZXB	2	54.0 (2.06)	24.9 (0.98)	15.9 (0.63)	22.2 (0.87)	17.5 (0.69)	7.9 (0.31)	None	1.6 (0.06)	None	34.9 (1.37)	5.6(0.22) dia. hole w/ 9.4(0.37) dia. C'bore x 3.6(0.14) deep	3/8-16	150 (17)	250	43.7g	BLACK
JBPT3N03ZXR	2	54.0 (2.06)	24.9 (0.98)	15.9 (0.63)	22.2 (0.87)	17.5 (0.69)	7.9 (0.31)	None	1.6 (0.06)	None	34.9 (1.37)	5.6(0.22) dia. hole w/ 9.4(0.37) dia. C'bore x 3.6(0.14) deep	3/8-16	150 (17)	250	43.7g	RED
JBPT3N04ZXB	2	54.0 (2.06)	24.9 (0.98)	15.9 (0.63)	22.2 (0.87)	17.5 (0.69)	7.9 (0.31)	None	1.6 (0.06)	None	34.9 (1.37)	5.6(0.22) dia. hole w/ 9.4(0.37) dia. C'bore x 3.6(0.14) deep	M8*1.25	150 (17)	250	43.7g	BLACK
JBPT3N04ZXR	2	54.0 (2.06)	24.9 (0.98)	15.9 (0.63)	22.2 (0.87)	17.5 (0.69)	7.9 (0.31)	None	1.6 (0.06)	None	34.9 (1.37)	5.6(0.22) dia. hole w/ 9.4(0.37) dia. C'bore x 3.6(0.14) deep	M8*1.25	150 (17)	250	43.7g	RED

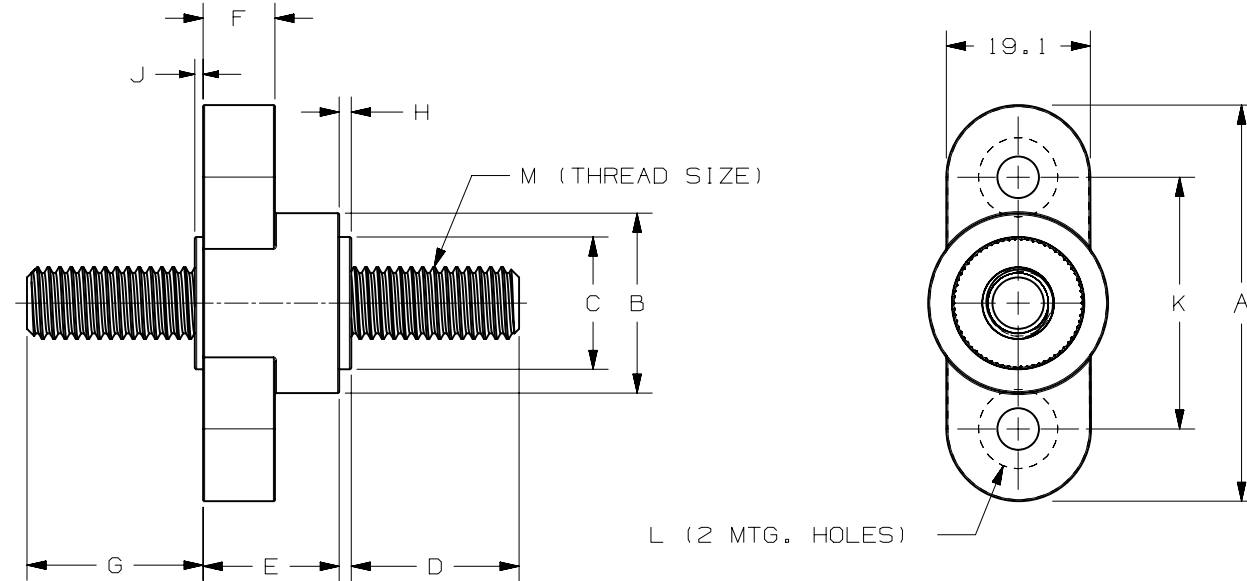


FIGURE 1

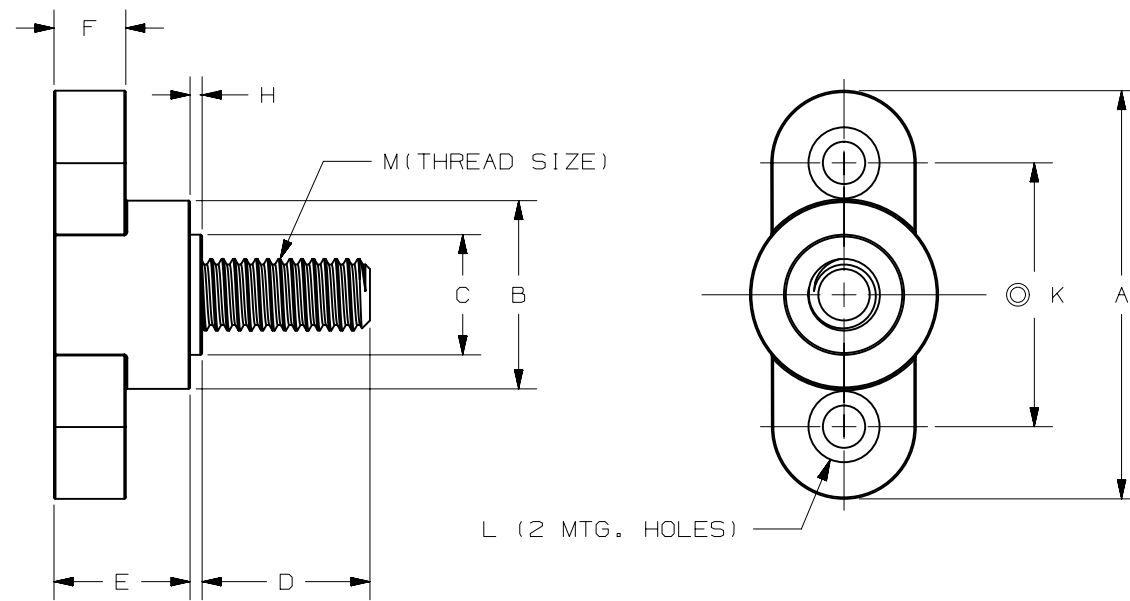
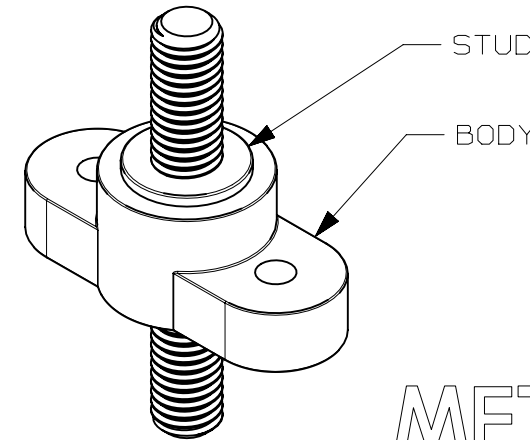


FIGURE 2

- NOTES:
- ALL DIMENSIONS ARE FOR REFERENCE ONLY.
 - MATERIAL: BODY-> THERMOPLASTIC, PA66
STUD-> STEEL Zn Plated
 - MAXIMUM MOUNTING TORQUE 45 IN.LBS (5 N-m).
 - TEMPERATURE RATING: -40°C TO 125°C



METRIC
ASSEMBLY

UNLESS OTHERWISE SPECIFIED, DIMENSIONS ARE IN MILLIMETERS.
DIMENSIONS IN BRACKETS [] ARE INCHES

UNLESS OTHERWISE SPECIFIED, DIMENSIONS DO NOT INCLUDE PLATING.

⊙ DENOTES CRITICAL CHARACTERISTICS.

CPK DENOTES CPK DIMENSIONS, -MINIMUM CPK VALUE

ST DENOTES A CHARACTERISTIC THAT PROVIDES AN INDICATION OF PROCESS PERFORMANCE. PROCEDURE FOR MEASUREMENT AND TRACKING TO BE DEFINED IN LITTELFUSE INSPECTION INSTRUCTIONS

CP DENOTES CP DIMENSIONS, -MINIMUM CP VALUE MUST BE WITHIN THE DIMENSIONAL LIMITATIONS SHOWN ON DRAWING AND INITIALLY LOCATED TO ALLOW FOR MAXIMUM TOOL LIFE

COPIES TO		MATERIAL SPEC		FINISH		SCALE		DATE		DATE		DATE		TOLERANCES UNLESS OTHERWISE SPECIFIED (REF. ISO 2768-FH)		TITLE		REVISION		OUTLINE	
LTR	DATE	DATE	DATE	DATE	DATE	DATE	DATE	DATE	DATE	DATE	DATE	DATE	DATE	DATE	DATE	DATE	DATE	DATE	DATE	DATE	DATE
1	9	18	19	20	21	23	33	43	53	0.5	UP TO	3	UP TO	6	UP TO	30	UP TO	120	UP TO	400	±0.2
2	10	19	20	21	23	33	43	53	0.05	UP TO	3	UP TO	6	UP TO	30	UP TO	120	UP TO	400	±0.1	±0.15
3	12	20	21	23	33	43	53	0.05	UP TO	3	UP TO	6	UP TO	30	UP TO	120	UP TO	400	±0.1	±0.15	±0.2
4	13	21	23	33	43	53	0.05	UP TO	3	UP TO	6	UP TO	30	UP TO	120	UP TO	400	±0.1	±0.15	±0.2	±0.2
5	14	23	33	43	53	0.05	UP TO	3	UP TO	6	UP TO	30	UP TO	120	UP TO	400	±0.1	±0.15	±0.2	±0.2	±0.2
6	15	33	43	53	0.05	UP TO	3	UP TO	6	UP TO	30	UP TO	120	UP TO	400	±0.1	±0.15	±0.2	±0.2	±0.2	±0.2
7	16	43	53	0.05	UP TO	3	UP TO	6	UP TO	30	UP TO	120	UP TO	400	±0.1	±0.15	±0.2	±0.2	±0.2	±0.2	±0.2
8	17	53	0.05	UP TO	3	UP TO	6	UP TO	30	UP TO	120	UP TO	400	±0.1	±0.15	±0.2	±0.2	±0.2	±0.2	±0.2	±0.2
SEE NOTES		SEE NOTES		SCALE 1:1		SUPER DR		FINISH GOOD WT		GRAMS/PIECE		JUNCTION BLOCKS 3/8"-16 (PASS-THRU & NON-PASS-THRU)		REVISION		DRWG. NO.		OUTLINE		SERIES	
SEE NOTES		SEE NOTES		SCALE 1:1		SUPER DR		FINISH GOOD WT		GRAMS/PIECE		JUNCTION BLOCKS 3/8"-16 (PASS-THRU & NON-PASS-THRU)		REVISION		DRWG. NO.		OUTLINE		SERIES	
SEE NOTES		SEE NOTES		SCALE 1:1		SUPER DR		FINISH GOOD WT		GRAMS/PIECE		JUNCTION BLOCKS 3/8"-16 (PASS-THRU & NON-PASS-THRU)		REVISION		DRWG. NO.		OUTLINE		SERIES	
SEE NOTES		SEE NOTES		SCALE 1:1		SUPER DR		FINISH GOOD WT		GRAMS/PIECE		JUNCTION BLOCKS 3/8"-16 (PASS-THRU & NON-PASS-THRU)		REVISION		DRWG. NO.		OUTLINE		SERIES	
SEE NOTES		SEE NOTES		SCALE 1:1		SUPER DR		FINISH GOOD WT		GRAMS/PIECE		JUNCTION BLOCKS 3/8"-16 (PASS-THRU & NON-PASS-THRU)		REVISION		DRWG. NO.		OUTLINE		SERIES	
SEE NOTES		SEE NOTES		SCALE 1:1		SUPER DR		FINISH GOOD WT		GRAMS/PIECE		JUNCTION BLOCKS 3/8"-16 (PASS-THRU & NON-PASS-THRU)		REVISION		DRWG. NO.		OUTLINE		SERIES	
SEE NOTES		SEE NOTES		SCALE 1:1		SUPER DR		FINISH GOOD WT		GRAMS/PIECE		JUNCTION BLOCKS 3/8"-16 (PASS-THRU & NON-PASS-THRU)		REVISION		DRWG. NO.		OUTLINE		SERIES	
SEE NOTES		SEE NOTES		SCALE 1:1		SUPER DR		FINISH GOOD WT		GRAMS/PIECE		JUNCTION BLOCKS 3/8"-16 (PASS-THRU & NON-PASS-THRU)		REVISION		DRWG. NO.		OUTLINE		SERIES	
SEE NOTES		SEE NOTES		SCALE 1:1		SUPER DR		FINISH GOOD WT		GRAMS/PIECE		JUNCTION BLOCKS 3/8"-16 (PASS-THRU & NON-PASS-THRU)		REVISION		DRWG. NO.		OUTLINE		SERIES	
SEE NOTES		SEE NOTES		SCALE 1:1		SUPER DR		FINISH GOOD WT		GRAMS/PIECE		JUNCTION BLOCKS 3/8"-16 (PASS-THRU & NON-PASS-THRU)		REVISION		DRWG. NO.		OUTLINE		SERIES	
SEE NOTES		SEE NOTES		SCALE 1:1		SUPER DR		FINISH GOOD WT		GRAMS/PIECE		JUNCTION BLOCKS 3/8"-16 (PASS-THRU & NON-PASS-THRU)		REVISION		DRWG. NO.		OUTLINE		SERIES	
SEE NOTES		SEE NOTES		SCALE 1:1		SUPER DR		FINISH GOOD WT		GRAMS/PIECE		JUNCTION BLOCKS 3/8"-16 (PASS-THRU & NON-PASS-THRU)		REVISION		DRWG. NO.		OUTLINE		SERIES	
SEE NOTES		SEE NOTES		SCALE 1:1		SUPER DR		FINISH GOOD WT		GRAMS/PIECE		JUNCTION BLOCKS 3/8"-16 (PASS-THRU & NON-PASS-THRU)		REVISION		DRWG. NO.		OUTLINE		SERIES	
SEE NOTES		SEE NOTES		SCALE 1:1		SUPER DR		FINISH GOOD WT		GRAMS/PIECE		JUNCTION BLOCKS 3/8"-16 (PASS-THRU & NON-PASS-THRU)		REVISION		DRWG. NO.		OUTLINE		SERIES	
SEE NOTES		SEE NOTES		SCALE 1:1		SUPER DR		FINISH GOOD WT		GRAMS/PIECE		JUNCTION BLOCKS 3/8"-16 (PASS-THRU & NON-PASS-THRU)		REVISION		DRWG. NO.		OUTLINE		SERIES	
SEE NOTES		SEE NOTES		SCALE 1:1		SUPER DR		FINISH GOOD WT		GRAMS/PIECE		JUNCTION BLOCKS 3/8"-16 (PASS-THRU & NON-PASS-THRU)		REVISION		DRWG. NO.		OUTLINE		SERIES	
SEE NOTES		SEE NOTES		SCALE 1:1		SUPER DR		FINISH GOOD WT		GRAMS/PIECE		JUNCTION BLOCKS 3/8"-16 (PASS-THRU & NON-PASS-THRU)		REVISION		DRWG. NO.		OUTLINE		SERIES	
SEE NOTES		SEE NOTES		SCALE 1:1		SUPER DR		FINISH GOOD WT		GRAMS/PIECE		JUNCTION BLOCKS 3/8"-16 (PASS-THRU & NON-PASS-THRU)		REVISION		DRWG. NO.		OUTLINE		SERIES	
SEE NOTES		SEE NOTES		SCALE 1:1		SUPER DR		FINISH GOOD WT		GRAMS/PIECE		JUNCTION BLOCKS 3/8"-16 (PASS-THRU & NON-PASS-THRU)		REVISION		DRWG. NO.		OUTLINE		SERIES	
SEE NOTES		SEE NOTES		SCALE 1:1		SUPER DR		FINISH GOOD WT		GRAMS/PIECE		JUNCTION BLOCKS 3/8"-16 (PASS-THRU & NON-PASS-THRU)		REVISION		DRWG. NO.		OUTLINE		SERIES	
SEE NOTES		SEE NOTES		SCALE 1:1		SUPER DR		FINISH GOOD WT		GRAMS/PIECE		JUNCTION BLOCKS 3/8"-16 (PASS-THRU & NON-PASS-THRU)		REVISION		DRWG. NO.		OUTLINE		SERIES	
SEE NOTES		SEE NOTES		SCALE 1:1		SUPER DR		FINISH GOOD WT		GRAMS/PIECE		JUNCTION BLOCKS 3/8"-16 (PASS-THRU & NON-PASS-THRU)		REVISION		DRWG. NO.		OUTLINE		SERIES	
SEE NOTES		SEE NOTES		SCALE 1:1		SUPER DR		FINISH GOOD WT		GRAMS/PIECE		JUNCTION BLOCKS 3/8"-16 (PASS-THRU & NON-PASS-THRU)		REVISION		DRWG. NO.		OUTLINE		SERIES	
SEE NOTES		SEE NOTES		SCALE 1:1		SUPER DR		FINISH GOOD WT		GRAMS/PIECE		JUNCTION BLOCKS 3/8"-16 (PASS-THRU & NON-PASS-THRU)		REVISION		DRWG. NO.		OUTLINE		SERIES	
SEE NOTES		SEE NOTES		SCALE 1:1		SUPER DR		FINISH GOOD WT		GRAMS/PIECE		JUNCTION BLOCKS 3/8"-16 (PASS-THRU & NON-PASS-THRU)		REVISION		DRWG. NO.		OUTLINE		SERIES	
SEE NOTES		SEE NOTES		SCALE 1:1		SUPER DR		FINISH GOOD WT		GRAMS/PIECE		JUNCTION BLOCKS 3/8"-16 (PASS-THRU & NON-PASS-THRU)		REVISION		DRWG. NO.		OUTLINE		SERIES	
SEE NOTES		SEE NOTES		SCALE 1:1		SUPER DR		FINISH GOOD WT		GRAMS/PIECE		JUNCTION BLOCKS 3/8"-16 (PASS-THRU & NON-PASS-THRU)		REVISION		DRWG. NO.		OUTLINE		SERIES	
SEE NOTES		SEE NOTES		SCALE 1:1		SUPER DR		FINISH GOOD WT		GRAMS/PIECE		JUNCTION BLOCKS 3/8"-16 (PASS-THRU & NON-PASS-THRU)		REVISION		DRWG. NO.		OUTLINE		SERIES	
SEE NOTES		SEE NOTES		SCALE 1:1		SUPER DR		FINISH GOOD WT		GRAMS/PIECE		JUNCTION BLOCKS 3/8"-16 (PASS-THRU & NON-PASS-THRU)		REVISION		DRWG. NO.		OUTLINE		SERIES	
SEE NOTES		SEE NOTES		SCALE 1:1		SUPER DR		FINISH GOOD WT		GRAMS/PIECE		JUNCTION BLOCKS 3/8"-16 (PASS-THRU & NON-PASS-THRU)		REVISION		DRWG. NO.		OUTLINE		SERIES	
SEE NOTES		SEE NOTES		SCALE 1:1		SUPER DR		FINISH GOOD WT		GRAMS/PIECE		JUNCTION BLOCKS 3/8"-16 (PASS-THRU & NON-PASS-THRU)		REVISION		DRWG. NO.		OUTLINE		SERIES	
SEE NOTES		SEE NOTES		SCALE 1:1		SUPER DR		FINISH GOOD WT		GRAMS/PIECE		JUNCTION BLOCKS 3/8"-16 (PASS-THRU & NON-PASS-THRU)		REVISION		DRWG. NO.		OUTLINE		SERIES	
SEE NOTES		SEE NOTES		SCALE 1:1		SUPER DR		FINISH GOOD WT		GRAMS/PIECE		JUNCTION BLOCKS 3/8"-16 (PASS-THRU & NON-PASS-THRU)		REVISION		DRWG. NO.		OUTLINE		SERIES	
SEE NOTES		SEE NOTES		SCALE 1:1		SUPER DR		FINISH GOOD WT		GRAMS/PIECE		JUNCTION BLOCKS 3/8"-16 (PASS-THRU & NON-PASS-THRU)		REVISION		DRWG. NO.		OUTLINE		SERIES	
SEE NOTES		SEE NOTES		SCALE 1:1		SUPER DR		FINISH GOOD WT		GRAMS/PIECE		JUNCTION BLOCKS 3/8"-16 (PASS-THRU & NON-PASS-THRU)		REVISION		DRWG. NO.		OUTLINE		SERIES	
SEE NOTES		SEE NOTES		SCALE 1:1		SUPER DR		FINISH GOOD WT		GRAMS/PIECE		JUNCTION BLOCKS 3/8"-16 (PASS-THRU & NON-PASS-THRU)		REVISION		DRWG. NO.		OUTLINE		SERIES	
SEE NOTES		SEE NOTES		SCALE 1:1		SUPER DR		FINISH GOOD WT		GRAMS/PIECE		JUNCTION BLOCKS 3/8"-16 (PASS-THRU & NON-PASS-THRU)		REVISION		DRWG. NO.		OUTLINE		SERIES	
SEE NOTES		SEE NOTES		SCALE 1:1		SUPER DR		FINISH GOOD WT		GRAMS/PIECE		JUNCTION BLOCKS 3/8"-16 (PASS-THRU & NON-PASS-THRU)		REVISION		DRWG. NO.		OUTLINE		SERIES	
SEE NOTES		SEE NOTES		SCALE 1:1		SUPER DR		FINISH GOOD WT		GRAMS/PIECE		JUNCTION BLOCKS 3/8"-16 (PASS-THRU & NON-PASS-THRU)		REVISION		DRWG. NO.		OUTLINE		SERIES	
SEE NOTES		SEE NOTES		SCALE 1:1		SUPER DR		FINISH GOOD WT		GRAMS/PIECE		JUNCTION BLOCKS 3/8"-16 (PASS-THRU & NON-PASS-THRU)		REVISION		DRWG. NO.		OUTLINE		SERIES	
SEE NOTES		SEE NOTES		SCALE 1:1		SUPER DR		FINISH GOOD WT		GRAMS/PIECE		JUNCTION BLOCKS 3/8"-16 (PASS-THRU & NON-PASS-THRU)		REVISION		DRWG. NO.		OUTLINE		SERIES	
SEE NOTES		SEE NOTES		SCALE 1:1		SUPER DR		FINISH GOOD WT		GRAMS/PIECE		JUNCTION BLOCKS 3/8"-16 (PASS-THRU & NON-PASS-THRU)		REVISION		DRWG. NO.		OUTLINE		SERIES	
SEE NOTES		SEE NOTES		SCALE 1:1		SUPER DR		FINISH GOOD WT		GRAMS/PIECE		JUNCTION BLOCKS 3/8"-16 (PASS-THRU & NON-PASS-THRU)		REVISION		DRWG. NO.		OUTLINE		SERIES	
SEE NOTES		SEE NOTES		SCALE 1:1		SUPER DR		FINISH GOOD WT		GRAMS/PIECE		JUNCTION BLOCKS 3/8"-16 (PASS-THRU & NON-PASS-THRU)		REVISION		DRWG. NO.		OUTLINE		SERIES	
SEE NOTES		SEE NOTES		SCALE 1:1		SUPER DR		FINISH GOOD WT		GRAMS/PIECE		JUNCTION BLOCKS 3/8"-16 (PASS-THRU & NON-PASS-THRU)		REVISION		DRWG. NO.		OUTLINE		SERIES	
SEE NOTES		SEE NOTES		SCALE 1:1		SUPER DR		FINISH GOOD WT		GRAMS/PIECE		JUNCTION BLOCKS 3/8"-16 (PASS-THRU & NON-PASS-THRU)		REVISION		DRWG. NO.		OUTLINE		SERIES	
SEE NOTES		SEE NOTES		SCALE 1:1		SUPER DR		FINISH GOOD WT		GRAMS/PIECE		JUNCTION BLOCKS 3/8"-16 (PASS-THRU & NON-PASS-THRU)		REVISION		DRWG. NO.		OUTLINE		SERIES	
SEE NOTES		SEE NOTES		SCALE 1:1		SUPER DR		FINISH GOOD WT		GRAMS/PIECE		JUNCTION BLOCKS 3/8"-16 (PASS-THRU & NON-PASS-THRU)									