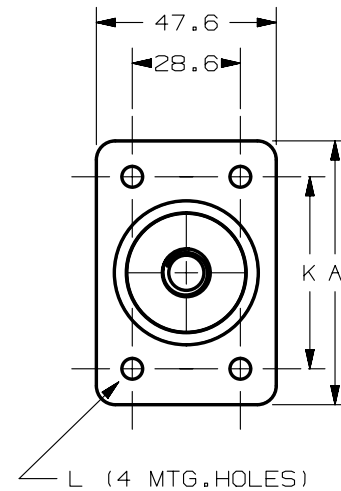
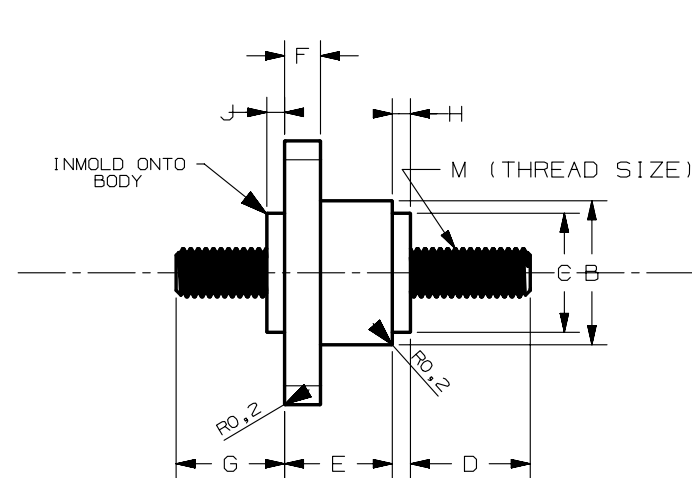
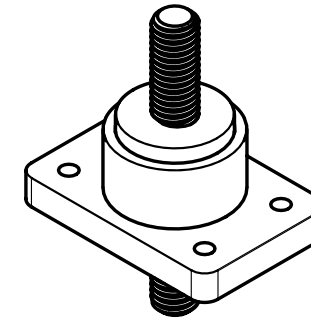


PART NO.	A	B	C	D	E	F	G	H	J	K	L	M	MAX. TORQUE (in-lb/N-m)	MAX. CURRENT RATING (AMPS)	COLOR
JBPT2P01ZXR	69.8 (2.75)	38.1 (1.50)	31.7 (1.25)	31.7 (1.25)	28.6 (1.13)	9.5 (0.37)	28.6 (1.13)	4.8 (0.19)	4.8±0.15 (0.19)	50.8 (2.00)	5.6(0.22) dia. hole w/ 11.2(0.44) dia. C'bore x 4.1(0.16) deep	1/2-13	300 (33.9)	400	RED
JBPT2N02ZXB	69.8 (2.75)	36.6 (1.44)	31.7 (1.25)	38.1 (1.50)	28.6 (1.13)	9.5 (0.37)	None	4.8 (0.19)	None	50.8 (2.00)	5.6(0.22) dia.	1/2-13	300 (33.9)	400	BLACK
JBPT2N03ZXB	69.8 (2.75)	36.3 (1.43)	31.7 (1.25)	38.1 (1.50)	28.6 (1.13)	9.5 (0.37)	None	4.8 (0.19)	None	50.8 (2.00)	5.6(0.22) dia.	5/16-18	75 (8.5)	200	BLACK



METRIC
ASSEMBLY

NOTES:

- ALL DIMENSIONS ARE FOR REFERENCE ONLY.
- MATERIAL :BODY-> THERMOPLASTIC,PA66
STUD-> STEEL ZN Plated
- MAXIMUM MOUNTING TORQUE 45 IN.LBS.(5 N-m).
- TEMPERATURE RATING: -40°C TO 125°C

UNLESS OTHERWISE SPECIFIED, DIMENSIONS ARE IN MILLIMETERS.
DIMENSIONS IN BRACKETS [] ARE INCHES

UNLESS OTHERWISE SPECIFIED, DIMENSIONS DO NOT INCLUDE PLATING.

⊙	DENOTES CRITICAL CHARACTERISTICS.
CPK	DENOTES CPK DIMENSIONS, -MINIMUM CPK VALUE
ST	DENOTES A CHARACTERISTIC THAT PROVIDES AN INDICATION OF PROCESS PERFORMANCE. PROCEDURE FOR MEASUREMENT AND TRACKING TO BE DEFINED IN LITTELFUSE INSPECTION INSTRUCTIONS
CP	DENOTES CP DIMENSIONS, -MINIMUM CP VALUE MUST BE WITHIN THE DIMENSIONAL LIMITATIONS SHOWN ON DRAWING AND INITIALLY LOCATED TO ALLOW FOR MAXIMUM TOOL LIFE

COPIES TO		MTRL SPEC		SEE NOTES	
1	9	18	18	18	18
2	10	19	19	19	19
3	12	20	20	20	20
4	13	21	21	21	21
5	14	23	23	23	23
6	15	33	33	33	33
7	16	43	43	43	43
8	17	53	53	53	53
TOLERANCES UNLESS OTHERWISE SPECIFIED (REF. ISO 2768-FH)		DATE		SCALE	
DIMENSION		N. ROQUE		1:1	
TOLERANCE		CHK		DATE	
3RD ANGLE PROJECTION		APPD		FINISH GOOD WT	
0.5 - 3		DATE		GRAMS/PIECE	
UP TO OVER		DATE		UP TO OVER	
3 - 6		DATE		120 - 400	
±0.05		DATE		±0.15	
±0.05		DATE		±0.2	
TITLE					
JUNCTION BLOCKS 1/2"-13 & 5/16"-13 (PASS-THRU & NON-PASS-THRU)					
LITTELFUSE		REVISION		OUTLINE	
LIPA CITY, BATANGAS, PHILIPPINES		B		OL-JBPT2	
SERIES		NO.		SERIES	