

PART NUMBER	FIGURE	"A"	"B"	"C"	"D"	LEAD "A" COLOR	LEAD "B" COLOR	INSULATION TYPE	WIRE SIZE	RATING MARK	PKG QTY
HLJC1001G	1	102.0±5.0	102.0±5.0	9.0±2.0	9.0±2.0	RED	RED	GXL (STANDARD)	10 AWG	40A	250
HLJC1002G	1	102.0±5.0	102.0±5.0	9.0±2.0	9.0±2.0	RED	RED	GXL (STANDARD)	B AWG	60A	250
HLJC1002GA	1	480.0±5.0	100.0±5.0	NO END STRIP	NO END STRIP	RED	RED	UL1569 (17/95/36)	B AWG	60A	25
HLJC1001GXD	1	180.0±5.0	180.0±5.0	9.0±2.0	15.0±2.0	RED	RED	GXL (STANDARD)	10 AWG	40A	250
HLJC1002L	1	102.0±5.0	102.0±5.0	9.0±2.0	9.0±2.0	RED	RED	GXL (STANDARD)	B AWG	60A	50
HLJC2001G	2	102.0±5.0	102.0±5.0	9.0±2.0	9.0±2.0	RED	RED	GXL (STANDARD)	10 AWG	40A	250
HLJC2002G	2	102.0±5.0	102.0±5.0	9.0±2.0	9.0±2.0	RED	RED	GXL (STANDARD)	B AWG	60A	250
HLJC2002L	2	102.0±5.0	102.0±5.0	9.0±2.0	9.0±2.0	RED	RED	GXL (STANDARD)	B AWG	60A	50

LTR	DATE	REVISION	CHK	APP
A	11/18/09	000847ER-RELEASED	CAD	
B	04/28/11	502071ERA-RELEASE HLJC1001GXHD ADD PACKAGING NOTES	OPL	
C	08/17/12	505866CA-REMOVAL OF MOUNTING HOLE	OPL	
D	04/16/15	511793ECA-COMPILED ALL HLJC HOLDERS ONTO ONE PRINT; ADDED PKG NOTES; ADDED BRACKET VERSION VIEWS; PRINT NAME CHANGED FROM HLJC1000G TO HLJC00000; FYUE		
E	28/JAN/15	5207515CC-RELEASE HLJC1002GA PROTOTYPE	FYUE	

- NOTES:
- HOLDER MATERIAL: BLACK TPV MATERIAL
 - CONTACTS: TIN-PLATED COPPER ALLOY
 - WIRE SIZE & LENGTH: SEE CHART
 - MAX TEMPERATURE: 125°C (105°C FOR HLJC1002GA)
 - RATING MARKING: SEE CHART
 - FUSE HOLDERS SHOULD NOT BE PLACED UNDER TENSION IN FINAL APPLICATION.
 - ALL PARTS PACKAGED BULK IN QTY SHOWN.

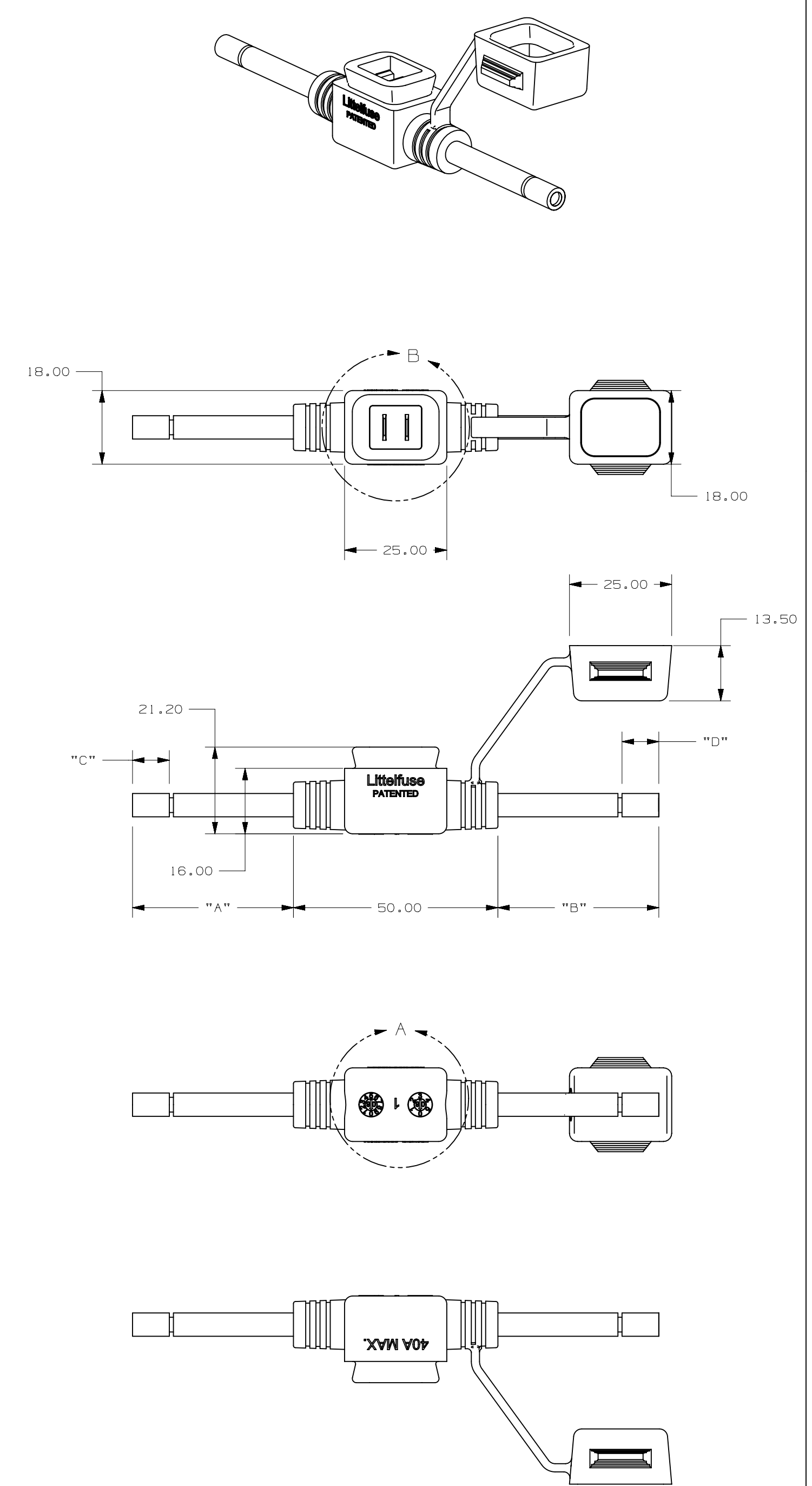


FIGURE 1. STANDARD HOLDER

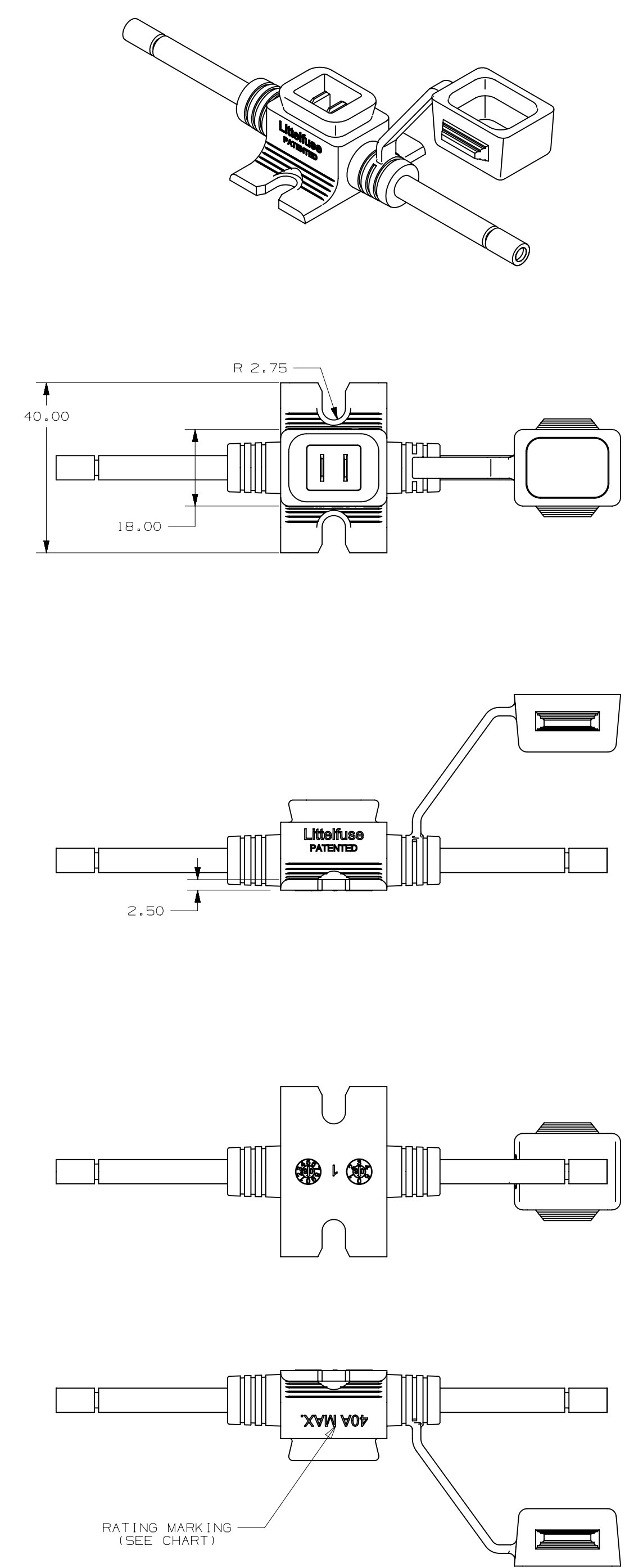
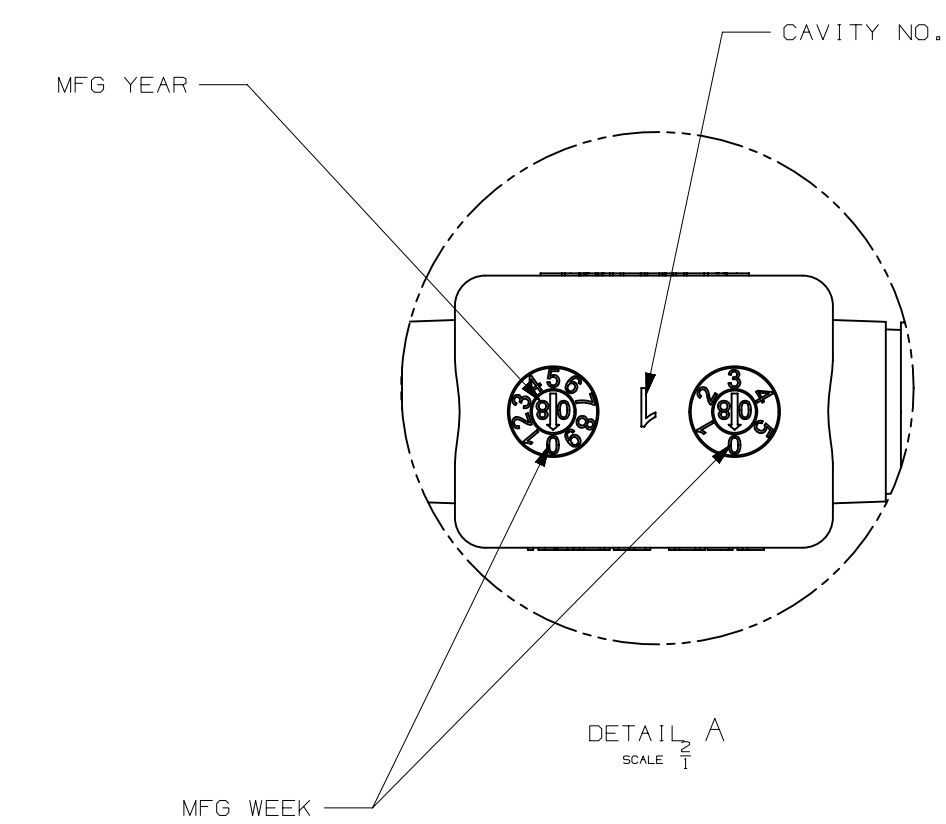
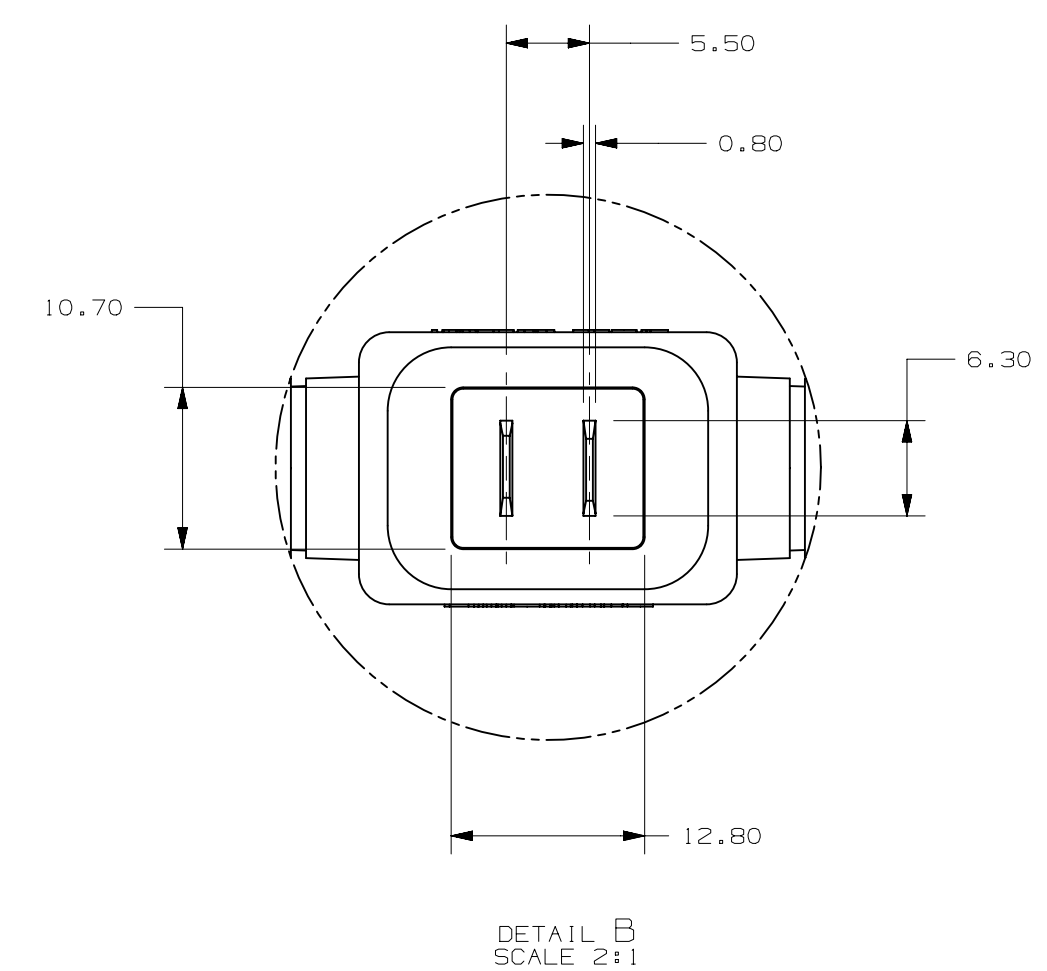


FIGURE 2. HOLDER WITH MOUNTING BRACKET



NO	COMPONENT NO	DESCRIPTION	QTY/M	U/M	
BILL OF MATERIAL					
UNLESS OTHERWISE SPECIFIED, DIMENSIONS ARE IN MILLIMETERS.					
DIMENSIONS IN BRACKETS () ARE INCHES					
UNLESS OTHERWISE SPECIFIED, DIMENSIONS DO NOT INCLUDE PLATING.					
⊙	DENOTES CRITICAL CHARACTERISTICS.				
CPK	DENOTES CPK DIMENSIONS, -MINIMUM CPK VALUE				
ST	DENOTES A CHARACTERISTIC THAT PROVIDES AN INDICATION OF PROCESS PERFORMANCE. PROCEDURE FOR MEASUREMENT AND TRACKING TO BE DEFINED IN LITTELFUSE INSPECTION INSTRUCTIONS				
CP	DENOTES CP DIMENSIONS, -MINIMUM CP VALUE MUST BE WITHIN THE DIMENSIONAL LIMITATIONS SHOWN ON DRAWING AND INITIALLY LOCATED TO ALLOW FOR MAXIMUM TOOL LIFE				
COPIES TO					
1	9	18	FINISH		
2	10	19			
3	12	20			
4	13	21	DRW	CAD	
5	14	23	CHK	DATE 11/18/09	
6	15	33	APPD	SCALE 1:1	
7	16	43	DATE	SUPER DR	
8	17	53	DATE	FINISH GOOD WT	
GRAMS/PIECE					
TOLERANCES UNLESS OTHERWISE SPECIFIED (REF. ISO 2768-PTH)					
DIMENSION	0.5 - .51	.5 - .6	.6 - .30	.30 - .120	.120 - .400
TOLERANCE	+0.1	+0.1	+0.2	+0.3	+0.5
3RD ANGLE PROJECTION	TITLE				
METRIC		INLINE LOW-PROFILE JCASE		OUTLINE	
ASSEMBLY		HOLDER WITH COVER			
LITTELFUSE		REVISION	DRWG. NO.	DATE	
DES PLAINES, ILLINOIS 60544		E	OL-HLJC00000		

METRIC ASSEMBLY

LITTELFUSE

REVISION DRWG. NO. DATE
E OL-HLJC00000

CAD GENERATED DRAWING - NO PENCIL CHANGES ALLOWED