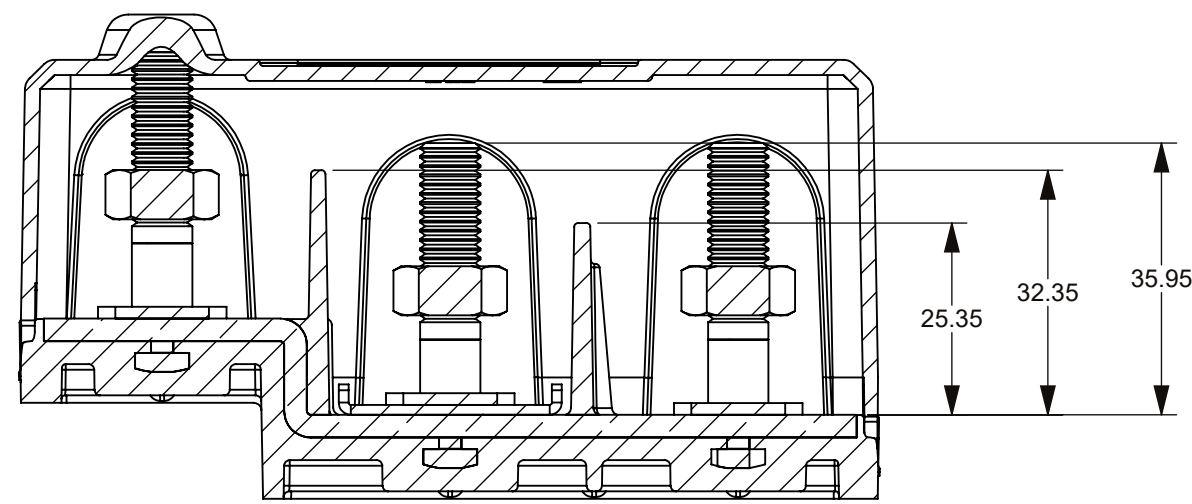
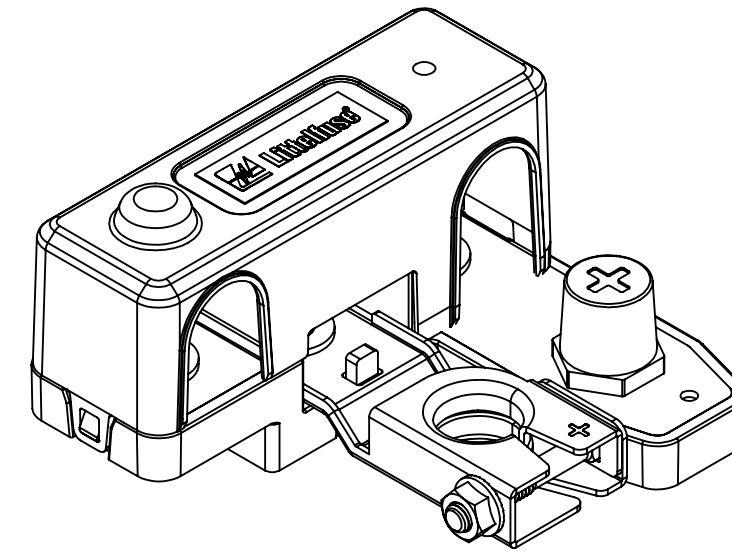


REVISIONS				
ZONE	REV.	DESCRIPTION	DATE	APPROVED
	A	GCF 523452 - INITIAL RELEASE	3/9/2021	R. OLSZEWSKI

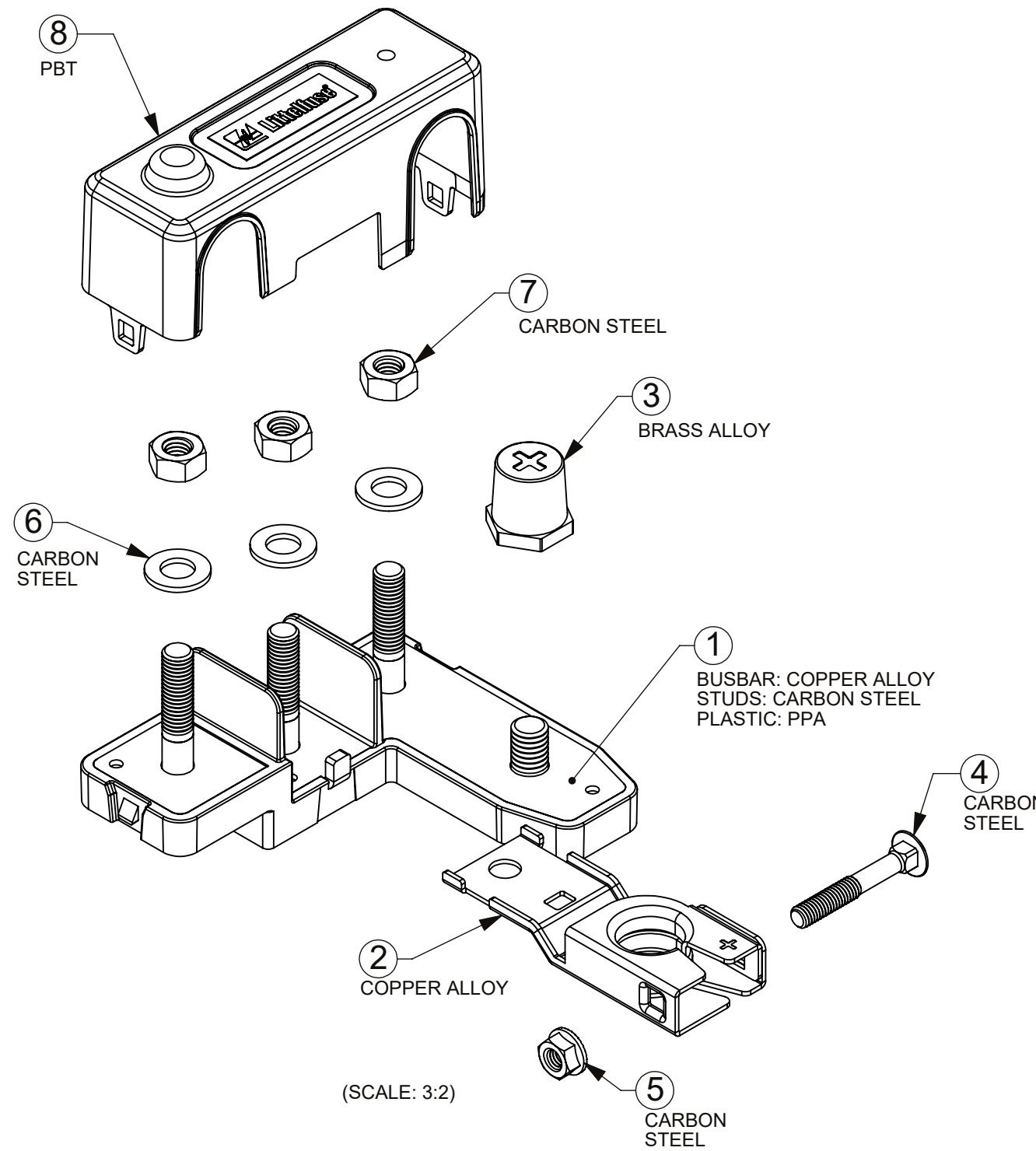
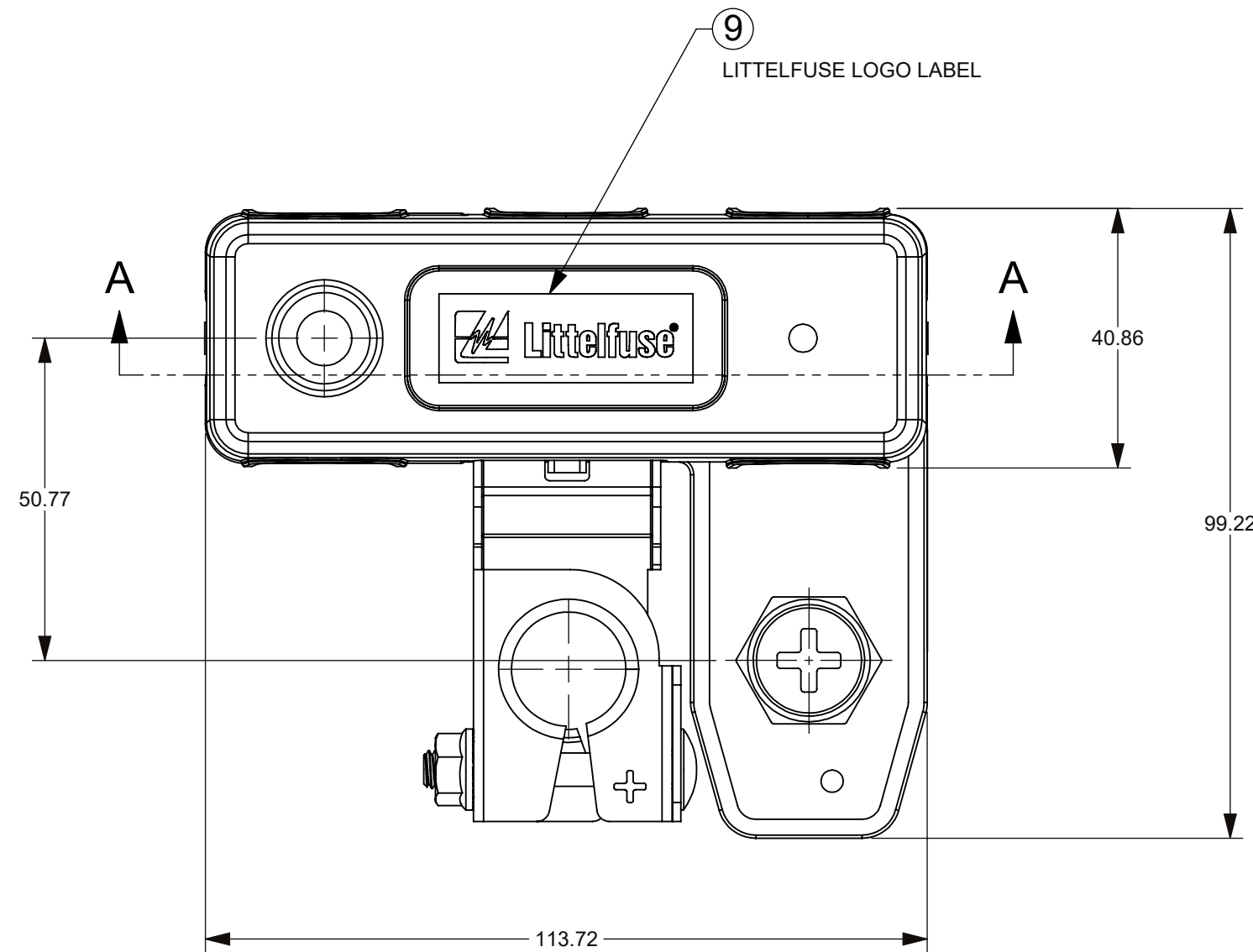


SECTION A-A



(SCALE: 3:2)

- NOTES:
- MATERIAL:  
BASE: PPA-GF30, UL94 V-0  
COVER: PBT, UL94 V-0
  - MAX CONTINUOUS CURRENT: 600A @ <math>-50^{\circ}\text{C}</math> TEMP RISE
  - MAX VOLTAGE: 32V
  - MOUNTING TORQUE WITH M8 NUT:  $14 \pm 2$  N-m (10.3  $\pm$  1.5 FT-LBS)
  - BATTERY TERMINAL TORQUE WITH M6 NUT:  $5.4 \pm 0.9$  N-m (4.0  $\pm$  0.7 FT-LBS) @ 540 RPM
  - BATTERY ADAPTER TORQUE:  $16 \pm 2$  N-m (11.8  $\pm$  1.5 FT-LBS)
  - TRACEABILITY LABEL:  
LITTELFUSE P/N: FHZ310  
SERIAL #: REVISION LETTER/FHZ310-MONTH/YEAR



(SCALE: 3:2)

NO.	COMPONENT NAME	QTY	U
10	3 POS TRACEABILITY LABEL, MKT	1	EA
9	LF LABEL	1	EA
8	3 POS TOP COVER	1	EA
7	NUT, M8x1.25, HEX	3	EA
6	WASHER, M8, FLAT	3	EA
5	NUT, M6x1.0, SERRATED FLANGE	1	EA
4	BOLT, M6x1.0, CUP HEAD SQUARE NECK	1	EA
3	POSITIVE CHARGING CABLE ADAPTER	1	EA
2	POSTIVE TOP POST BATTERY TERMINAL	1	EA
1	3 POS FH BASE SA	1	EA

DIMENSIONS ARE SHOWN IN MILLIMETERS; DIMENSIONS AND TOLERANCES ARE DEFINED ACCORDING TO ANSI/ASME Y14.5-1994.

● FIT FUNCTION CRITICAL CHARACTERISTICS SYMBOL

<S> SAFETY/ COMPLIANCE CRITICAL CHARACTERISTICS SYMBOL

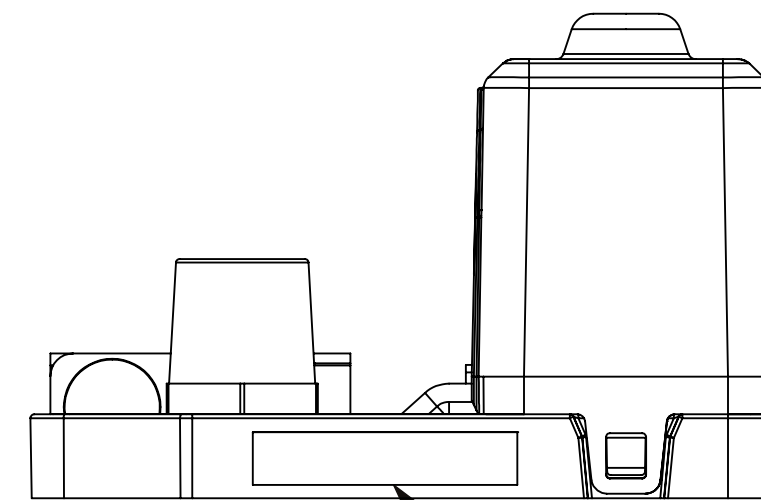
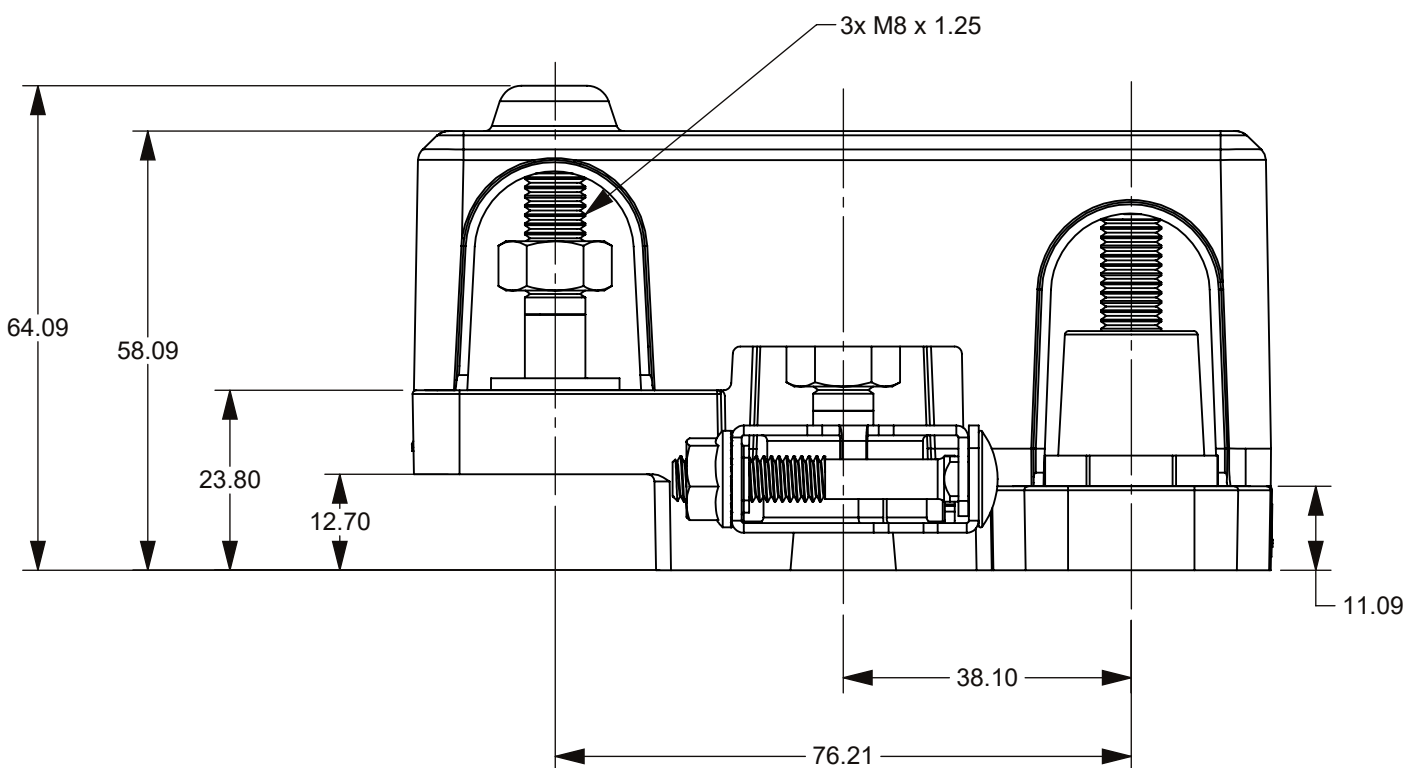
CPK DENOTES CPK DIMENSIONS MINIMUM CPK VALUE

(ST) DENOTES A CHARACTERISTIC THAT PROVIDES AN INDICATION OF PROCESS PERFORMANCE PROCEDURE FOR MEASUREMENT AND TRACKING TO BE DEFINED IN LITTELFUSE INSPECTION INSTRUCTIONS

CP DENOTES CP DIMENSIONS - MINIMUM CP VALUE MUST BE WITHIN THE DIMENSIONAL LIMITATIONS SHOWN ON DRAWING AND INITIALLY LOCATED TO ALLOW FOR MAXIMUM TOOL LIFE

DIMENSION: MM TOLERANCES UNLESS OTHERWISE SPECIFIED  
 ONE PLACE DECIMAL  $\pm 0.5$  THREE PLACES DECIMAL  $\pm 0.100$   
 TWO PLACES DECIMAL  $\pm 0.20$  ANGULAR  $\pm 2^{\circ}$

NAME	DATE	 Expertise Applied   Answers Delivered
DRAWN: JEH	3/9/2021	
CHECKED: -	-	TITLE BATT MOUNT, 3POS, BUSSED, FUSE HOLDER
FORM NO: CVP-PE40-0006 REV A	-	
THIRD ANGLE PROJECTION	-	SIZE: C DWG. NO.: OL-FHZ310 OUTLINE: REV. A DO NOT SCALE DRAWING SCALE: 1:1 SHEET 1 OF 1



10 TRACEABILITY LABEL SEE NOTE 7