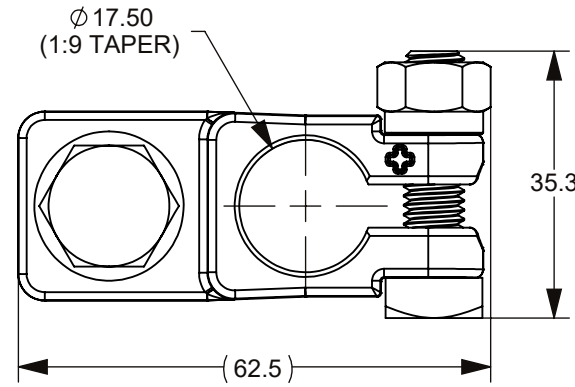


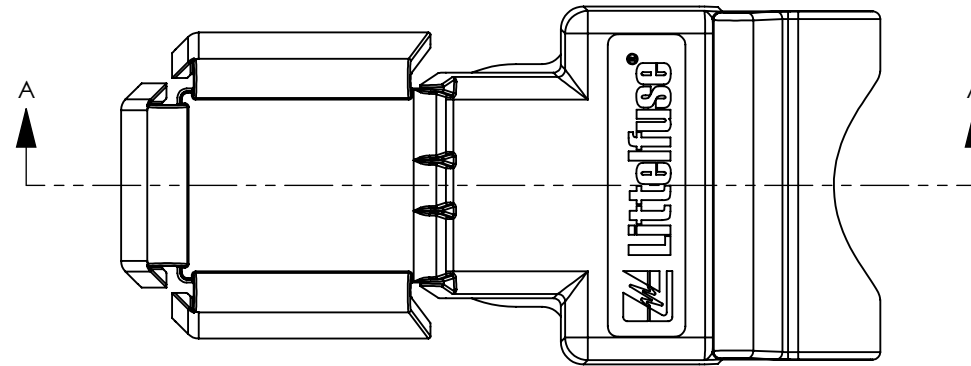
THIS DRAWING AND THE INFORMATION CONTAINED WITHIN IT ARE CONFIDENTIAL AND MAY NOT BE COPIED OR DISCLOSED WITHOUT THE WRITTEN PERMISSION OF LITTELFUSE.

NOTES

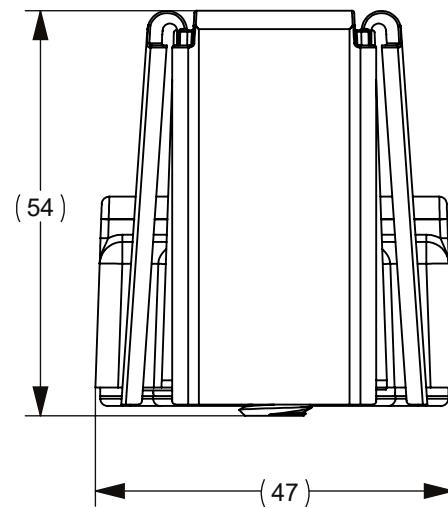
- MATERIAL:  
BASE: COPPER ALLOY PLATED WITH TIN OVER NICKEL  
BOLTS AND NUTS: 304 STAINLESS STEEL  
COVER: TPV; UL94, V0 RATED
- BMZF MUST BE USED WITH LITTELFUSE SUPPLIED  
M10 ISOLATED BOLT ONLY (890010900)  
M10 BOLT TORQUE: 16±2 N·m
- M8 SHOULDER NUT TORQUE: 12±1 N·m B
- MAXIMUM CONTINUOUS CURRENT: 250A
- VOLTAGE RATING: 32V
- OPERATING TEMPERATURE: -40°C TO 105°C
- STORAGE TEMPERATURE: -50°C TO 125°C



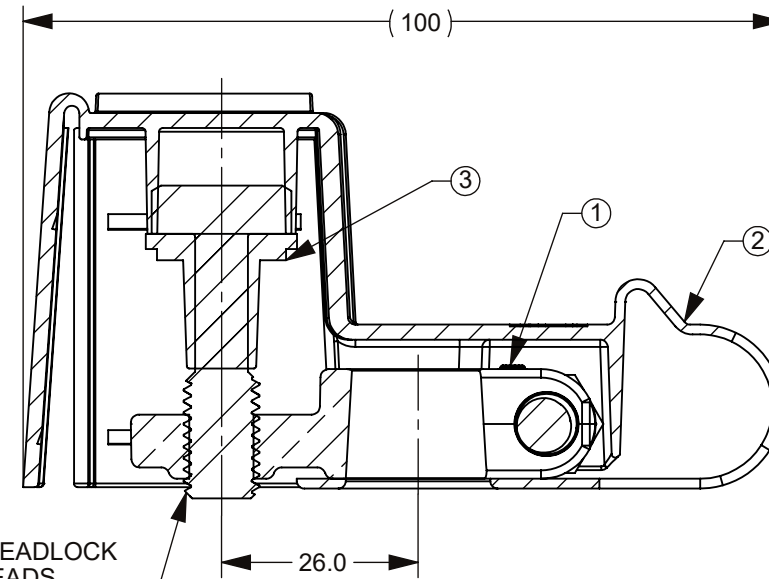
SHOWN WITHOUT COVER  
FOR REFERENCE



THE COVER OUTER DIMENSIONS ARE  
SUBJECT TO VARIABILITY  
ASSEMBLY HEIGHT IS DEPENDENT ON THE  
CUSTOMER SUPPLIED RING TERMINAL USED



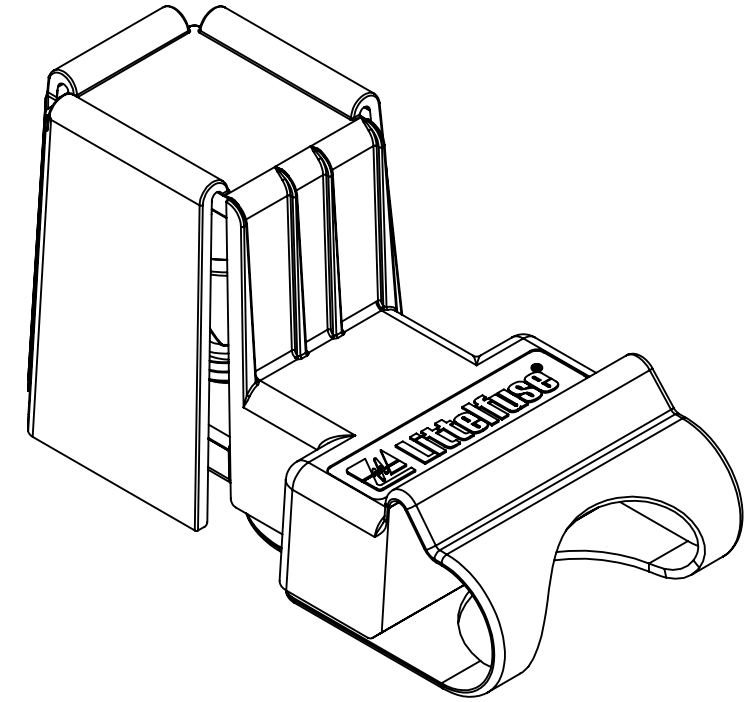
B ORANGE COLORED THREADLOCK  
ON THE BOLT THREADS  
RETENTION TORQUE DEGRADES  
WITH EACH DISASSEMBLY



SECTION A-A

REVISIONS

ZONE	REV.	DESCRIPTION	DATE	APPROVED
	A	INITIAL RELEASE, GCF 520582	1/24/2019	
	B	ECO 521647 INCREASE M8 BOLT TORQUE, ADD PN, REVISE THREADLOCK DESCRIPTION, ADD FIGURE 2	12/11/2019	A.HOANG A.MENZER



B

3	890010900	BMZF M10 Isolated Bolt Assy	1	ea.
2	901-704	BMZF 1 POS Cover	1	ea.
1	890010990	Base Assy, BMZF 1 POS	1	ea.
NO.	PART NUMBER	COMPONENT NAME	QTY	U

INTERPRET DRAWING TO ANSI/ASME Y14.5-1994.

●	FIT/ FUNCTION CRITICAL CHARACTERISTICS SYMBOL
<S>	SAFETY/ COMPLIANCE CRITICAL CHARACTERISTICS SYMBOL
CPK	DENOTES CPK DIMENSIONS MINIMUM CPK VALUE
ST	DENOTES A CHARACTERISTIC THAT PROVIDES AN INDICATION OF PROCESS PERFORMANCE PROCEDURE FOR MEASUREMENT AND TRACKING TO BE DEFINED IN LITTELFUSE INSPECTION INSTRUCTIONS
CP	DENOTES CP DIMENSIONS, -MINIMUM CP VALUE MUST BE WITHIN THE DIMENSIONAL LIMITATIONS SHOWN ON DRAWING AND INITIALLY LOCATED TO ALLOW FOR MAXIMUM TOOL LIFE

DIMENSION: MM TOLERANCES UNLESS OTHERWISE SPECIFIED  
ONE PLACE DECIMAL ± 0.5      THREE PLACES DECIMAL ± 0.100  
TWO PLACES DECIMAL ± 0.20      ANGULAR ± 2°

	NAME	DATE
DRAWN	L.VOGL	1/24/2019
CHECKED	-	-
	-	-
	-	-



FORM NO: CVP-PE40-0004 REV A  
THIRD ANGLE PROJECTION

TITLE  
BMZF 1 POSITION ASSEMBLY

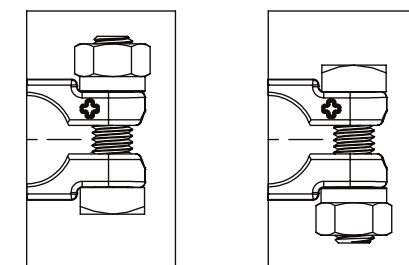
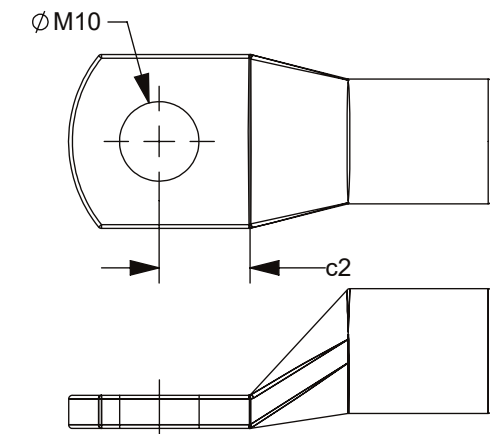
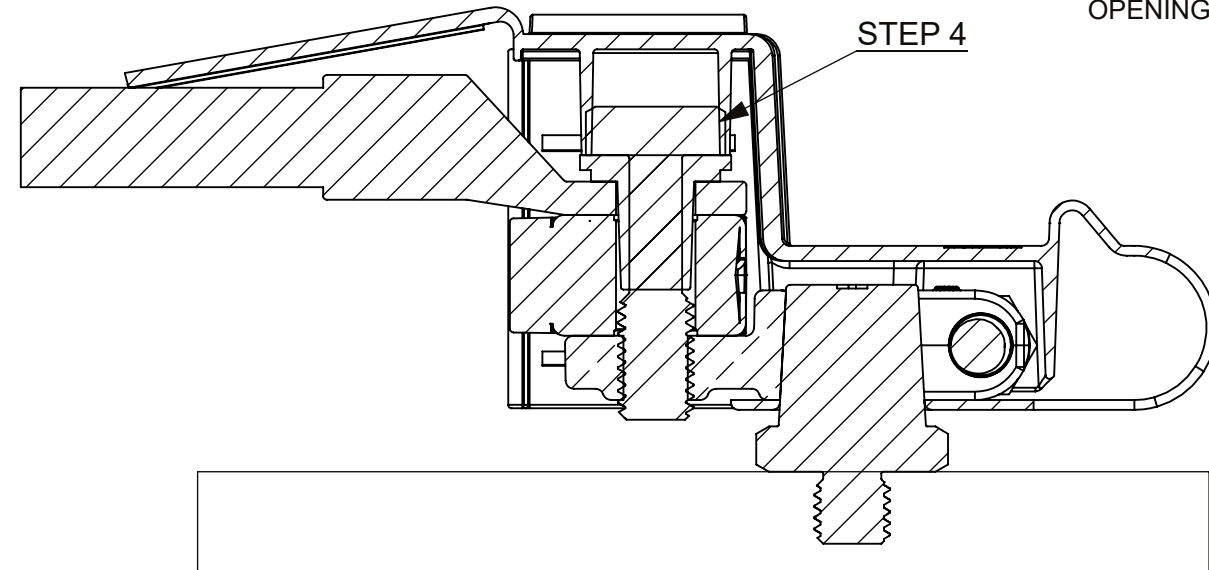
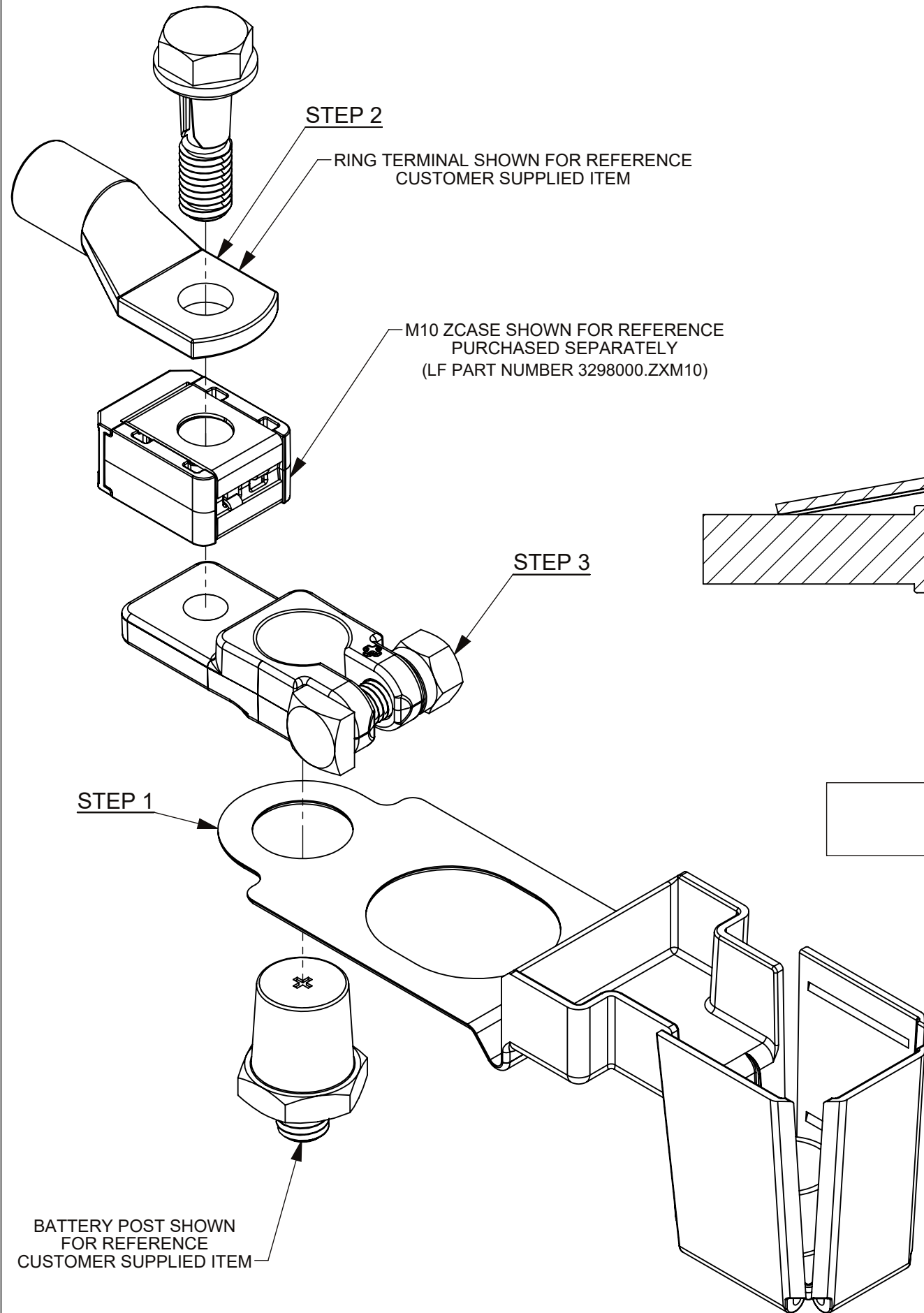
DO NOT SCALE DRAWING	SCALE 1:1	SHEET 1 OF 2
SIZE B	DWG. NO. OL-FHZ00855	REV. B

THIS DRAWING AND THE INFORMATION CONTAINED WITHIN IT ARE CONFIDENTIAL AND MAY NOT BE COPIED OR DISCLOSED WITHOUT THE WRITTEN PERMISSION OF LITTELFUSE.

ASSEMBLY STEPS (FOR CUSTOMER USE ONLY)

(RING TERMINAL AND BATTERY POST ARE CUSTOMER SUPPLIED ITEMS)  
(M10 ZCASE SOLD SEPARATELY; LITTELFUSE PART NUMBER 3298000.ZXM10)

1. PLACE THE TAIL END OF THE COVER ONTO THE POSITIVE BATTERY POST (1:9 TAPER) WITH THE COVER FACING UPWARDS.
2. ASSEMBLE THE ISOLATED BOLT, M10 RING TERMINAL, & M10 ZCASE TO THE BASE ASSEMBLY. SECURE THE BOLT TO  $16 \pm 2 \text{ N}\cdot\text{m}$ . BE SURE THE RING TERMINAL DIMENSIONS MATCH THE FOLLOWING REQUIREMENTS (FIGURE 1):  
 $c2 \geq 11 \text{ mm}$
3. ATTACH THE BASE ASSEMBLY TO THE POSITIVE BATTERY POST OVER THE COVER. SECURE THE ASSEMBLY BY TIGHTENING THE M8 SHOULDER HEX NUT TO  $12 \pm 1 \text{ N}\cdot\text{m}$ . M8 NUT AND BOLT CAN BE ASSEMBLED IN LEFT OR RIGHT HAND ORIENTATION FOR BEST ACCESS DURING ASSEMBLY (FIGURE 2)
4. WRAP THE COVER AROUND THE ASSEMBLY AND SECURE IT TO THE BOLT HEAD (AS SHOWN IN THE FULL ASSEMBLY CROSS SECTION). THE RING TERMINAL AND WIRE WILL EXTEND OUT OF ONE OF THE THREE COVER OPENINGS.



ASSEMBLED WITH M8 BOLT IN THE LEFT HAND ORIENTATION (LEFT HAND IMAGE)

M8 NUT AND BOLT CAN BE ASSEMBLED IN LEFT OR RIGHT HAND ORIENTATION

INTERPRET DRAWING TO ANSI/ASME Y14.5-1994.			
●	FIT/ FUNCTION CRITICAL CHARACTERISTICS SYMBOL		
<S>	SAFETY/ COMPLIANCE CRITICAL CHARACTERISTICS SYMBOL		
CPK	DENOTES CPK DIMENSIONS MINIMUM CPK VALUE		
ST	DENOTES A CHARACTERISTIC THAT PROVIDES AN INDICATION OF PROCESS PERFORMANCE PROCEDURE FOR MEASUREMENT AND TRACKING TO BE DEFINED IN LITTELFUSE INSPECTION INSTRUCTIONS		
CP	DENOTES CP DIMENSIONS. -MINIMUM CP VALUE MUST BE WITHIN THE DIMENSIONAL LIMITATIONS SHOWN ON DRAWING AND INITIALLY LOCATED TO ALLOW FOR MAXIMUM TOOL LIFE		
DIMENSION: MM TOLERANCES UNLESS OTHERWISE SPECIFIED ONE PLACE DECIMAL $\pm 0.5$ THREE PLACES DECIMAL $\pm 0.100$ TWO PLACES DECIMAL $\pm 0.20$ ANGULAR $\pm 2^\circ$			
DRAWN	NAME	DATE	<p><b>Expertise Applied   Answers Delivered</b></p> <p>TITLE BMZF 1 POSITION ASSEMBLY</p>
CHECKED	L.VOGL	1/24/2019	
FORM NO: CVP-PE40-0004 REV A			SIZE
THIRD ANGLE PROJECTION			DWG. NO.
			REV.
DO NOT SCALE DRAWING			B
SCALE 1:1			OL-FHZ00855
			SHEET 2 OF 2