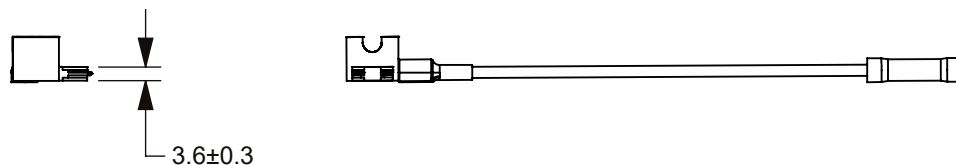
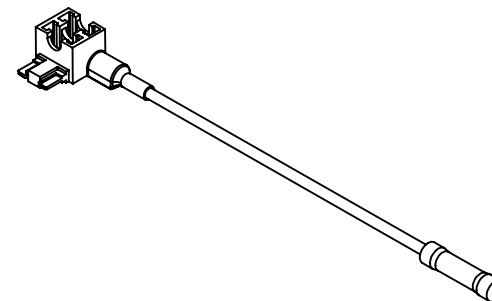
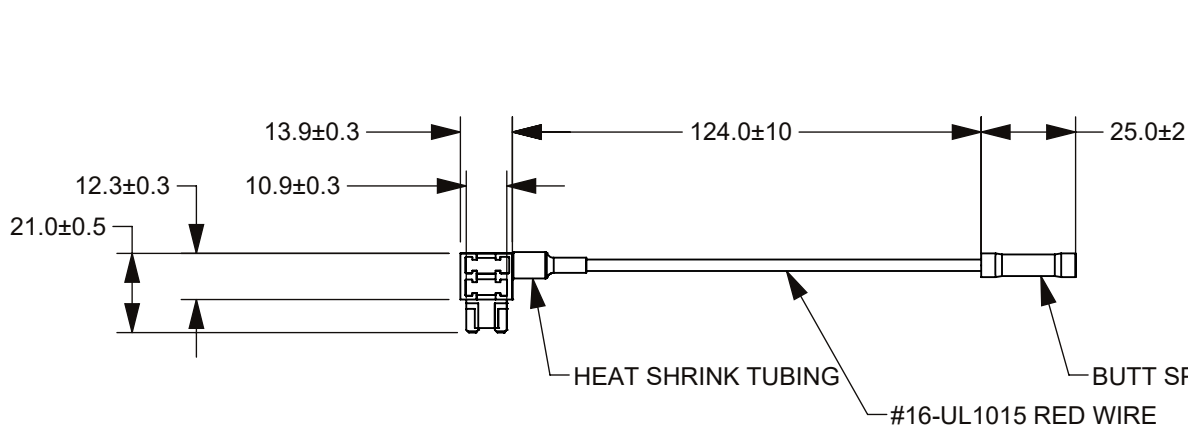


THIS DRAWING AND THE INFORMATION CONTAINED WITHIN IT ARE CONFIDENTIAL AND MAY NOT BE COPIED OR DISCLOSED WITHOUT THE WRITTEN PERMISSION OF LITTELFUSE.

| REVISIONS | | | | |
|-----------|------|---|-----------|----------|
| ZONE | REV. | DESCRIPTION | DATE | APPROVED |
| | A | GCF #524724 INITIAL RELEASED. D.SILVA. | 1/25/2022 | L.ARGIL |



| NO. | COMPONENT NO. | COMPONENT NAME | QTY | U |
|-----|---------------|----------------|-----|---|
|-----|---------------|----------------|-----|---|

| TOLERANCES OTHERWISE SPECIFIED (REF. ISO 2768-mK) | | | | | | | | | | |
|---|---------|----------|------------|-------------|--|--|--|--|--|-------|
| .5 to 3 | >3 to 6 | >6 to 30 | >30 to 120 | >120 to 400 | | | | | | ANGLE |
| ±0.10 | ±0.10 | ±0.20 | ±0.30 | ±0.50 | | | | | | NONE |

DIMENSIONS ARE SHOWN IN MILLIMETERS. DIMENSIONS AND TOLERANCES ARE DEFINED ACCORDING TO ANSI/ASME Y14.5-1994.

| | | |
|------------------------------|-----|---|
| PER CH1-NPD20-0008 PROCEDURE | ● | FIT/ FUNCTION CRITICAL CHARACTERISTICS |
| | <S> | SAFETY/ COMPLIANCE CRITICAL CHARACTERISTICS SYMBOL |
| | CPK | DENOTES CPK DIMENSIONS MINIMUM CPK VALUE |
| | ST | DENOTES A CHARACTERISTIC THAT PROVIDES AN INDICATION OF PROCESS PERFORMANCE. PROCEDURE FOR MEASUREMENT AND TRACKING TO BE DEFINED IN LITTELFUSE INSPECTION INSTRUCTIONS |
| | CP | DENOTES CP DIMENSIONS, -MINIMUM CP VALUE MUST BE WITHIN THE DIMENSIONAL LIMITATIONS SHOWN ON DRAWING AND INITIALLY LOCATED TO ALLOW FOR MAXIMUM TOOL LIFE |

NOTES:

- ASSOCIATED 3D CAD FILE DEFINE ALL NON DIMENSIONED FEATURES.
- THIS IN-LINE FUSEHOLDER IS DESIGNED FOR TURNS ONE FUSE SLOT INTO TWO.
- INSTALLATION RATING UP TO 10AMPS.
- BUTT SPLICE CONNECTOR PULL OUT FORCE 15KGF MIN.

| | | |
|------------------------------|----------------------------|---|
| NAME | DATE | <p>Expertise Applied Answers Delivered</p> |
| DRAWN D.SILVA | 1/4/2022 | |
| CHECKED - | - | |
| - | - | |
| FORM NO: CVP-PE40-0001 REV B | | TITLE HOLDER LP MINI ADD-A-CIRCUIT 10A |
| THIRD ANGLE PROJECTION | | |
| | SIZE B DWG. NO. OUTLINE | OL-FHLM0200Z REV. A |
| DO NOT SCALE DRAWING | | SCALE 1:2 SHEET 1 OF 1 |