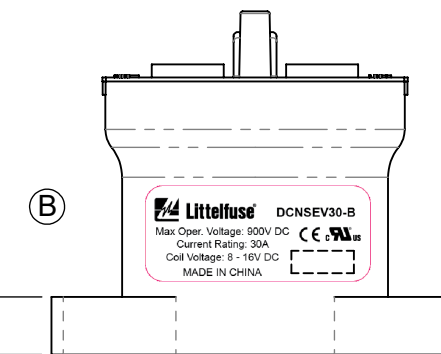
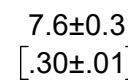
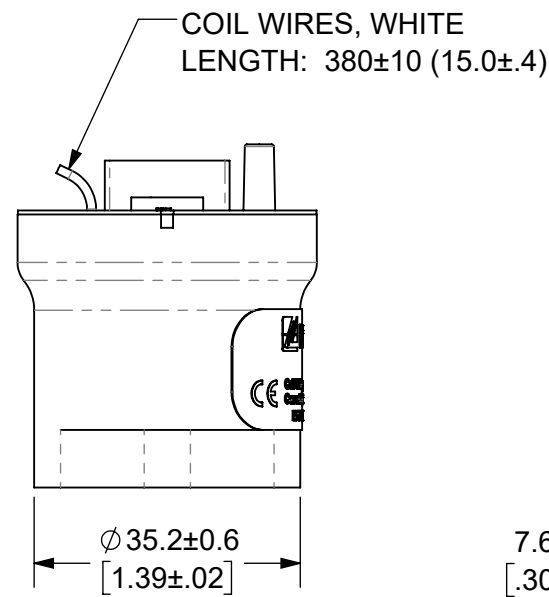
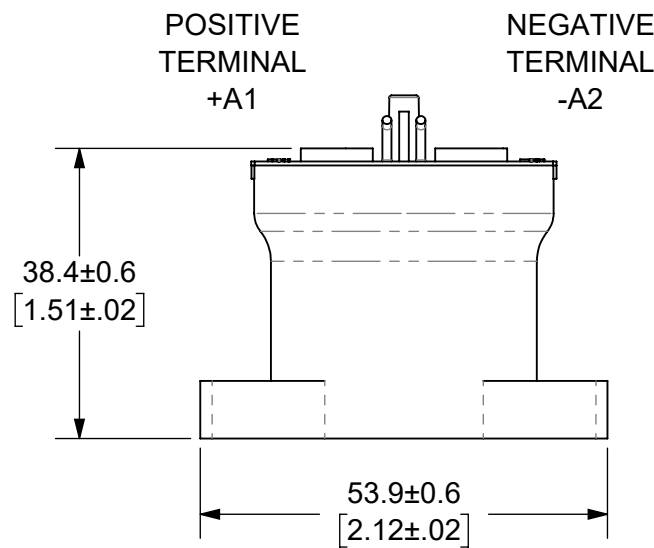
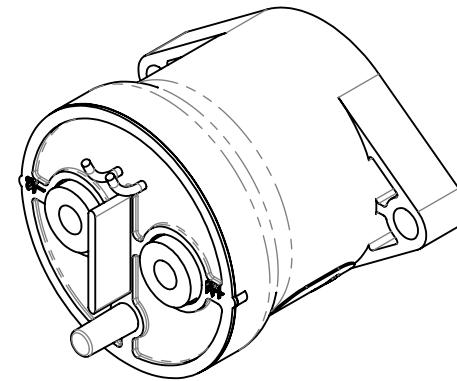
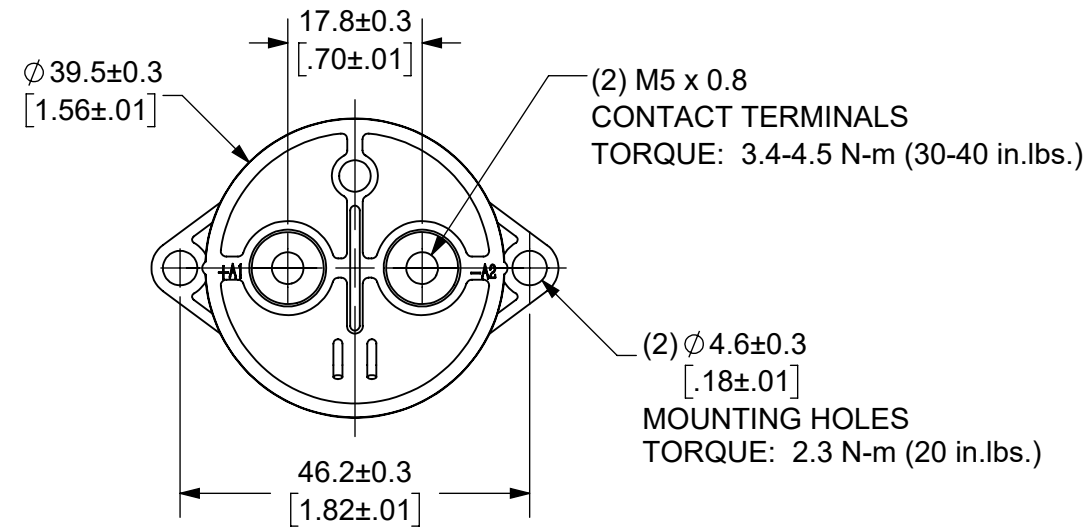


THIS DRAWING AND THE INFORMATION CONTAINED WITHIN IT ARE CONFIDENTIAL AND MAY NOT BE COPIED OR DISCLOSED WITHOUT THE WRITTEN PERMISSION OF LITTELFUSE.

REVISIONS

ZONE	REV.	DESCRIPTION	DATE	APPROVED
	A	INITIAL RELEASE. GCF 500000021765	12/10/2019	DGK
C4, D3	B	UPDATED LABEL AND NOTE 7. ECR 522500	7/29/2020	DGK



NOTES: UNLESS OTHERWISE SPECIFIED

- CONTACT ARRANGEMENT: SPST-NO
- CONTINUOUS CURRENT RATING: 30 AMPS
- CONTACT VOLTAGE RATING: 12 - 900 VDC
- CONTACT TERMINALS POLARIZED
- HARDWARE: NONE
- WEIGHT: 130 GRAMS (4.6 OZ.)
- CERTIFICATIONS:
 (B)
 UL RECOGNIZED FOR CANADA AND THE UNITED STATES
 EUROPEAN ECONOMIC AREA RECOGNIZED.
 RoHS COMPLIANT

●		FIT/ FUNCTION CRITICAL CHARACTERISTICS SYMBOL
<S>		SAFETY/ COMPLIANCE CRITICAL CHARACTERISTICS SYMBOL
CPK		DENOTES CPK DIMENSIONS MINIMUM CPK VALUE
ST		DENOTES A CHARACTERISTIC THAT PROVIDES AN INDICATION OF PROCESS PERFORMANCE PROCEDURE FOR MEASUREMENT AND TRACKING TO BE DEFINED IN LITTELFUSE INSPECTION INSTRUCTIONS
CP		DENOTES CP DIMENSIONS, -MINIMUM CP VALUE MUST BE WITHIN THE DIMENSIONAL LIMITATIONS SHOWN ON DRAWING AND INITIALLY LOCATED TO ALLOW FOR MAXIMUM TOOL LIFE
DIMENSION: MM TOLERANCES UNLESS OTHERWISE SPECIFIED ONE PLACE DECIMAL ± 0.5 THREE PLACES DECIMAL ± 0.100 TWO PLACES DECIMAL ± 0.20 ANGULAR ± 2°		
NAME	DATE	 Expertise Applied Answers Delivered
DRAWN DGK	11/13/2019	
CHECKED AH	12/11/2019	
-	-	
FORM NO: CVP-PE40-0004 REV A		TITLE
THIRD ANGLE PROJECTION		DC CONTACTOR, 30 AMP 12 VDC
SIZE B	DWG. NO. OL-DCNSEV30-B	OUTLINE REV. B
DO NOT SCALE DRAWING		SCALE 1:1 SHEET 1 OF 1

ENGINEERING DESIGN DATA

COIL DATA						SHORT CIRCUIT	DIELECTRIC VOLTAGE	ELECTRICAL LIFE
COIL VOLTAGE (VDC)	NOMINAL POWER (WATTS)	PICK-UP VOLTAGE (VDC)	DROP-OUT VOLTAGE (VDC)	MAX. VOLTAGE (VDC)	INRUSH CURRENT (MAX)	MAX, 1/2 CYCLE, 60Hz	(VRMS)	30A @ 450VDC (CYCLES)
12	6.0	8	1.2	16	0.48A	1,250 A	2,200	10,000