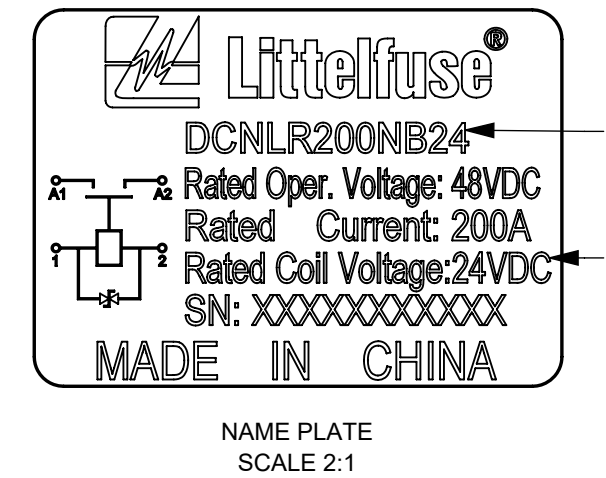
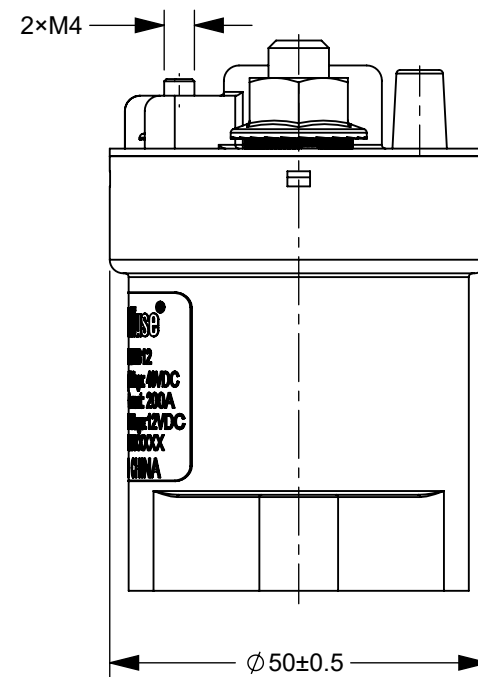
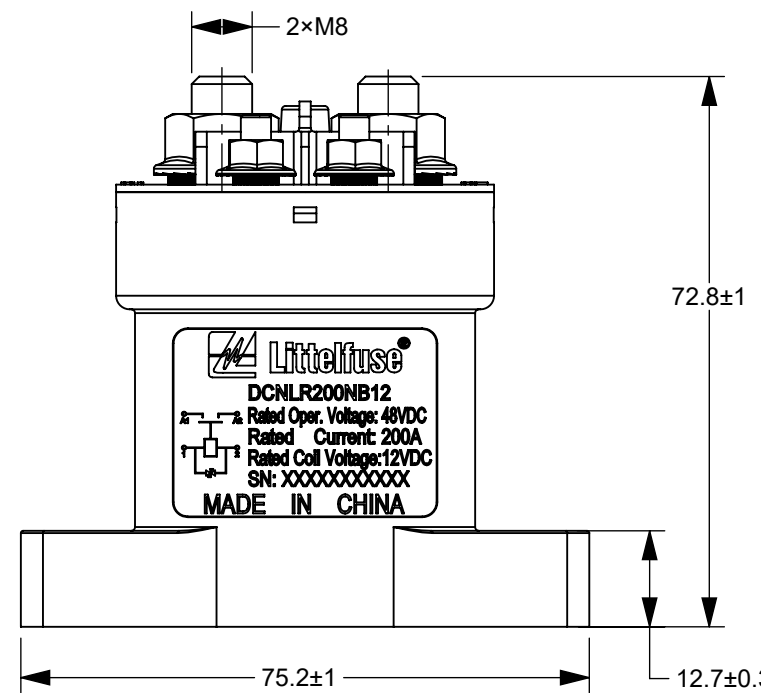
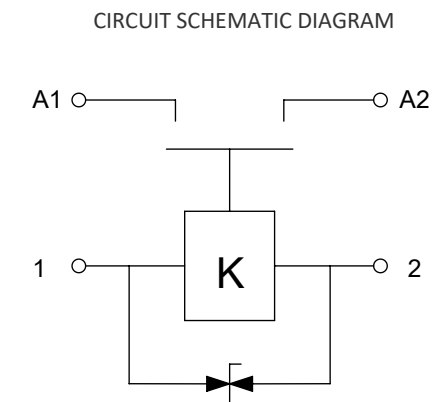
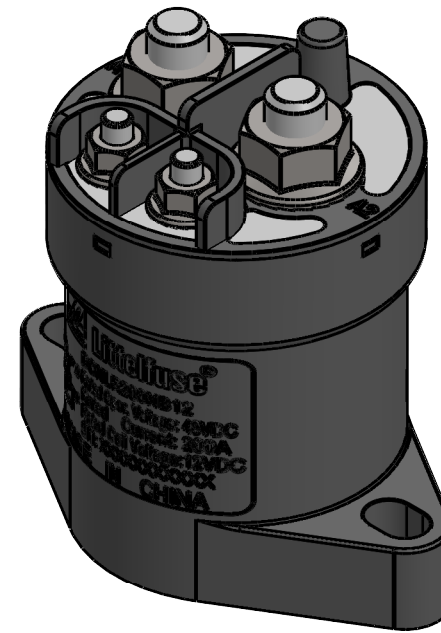
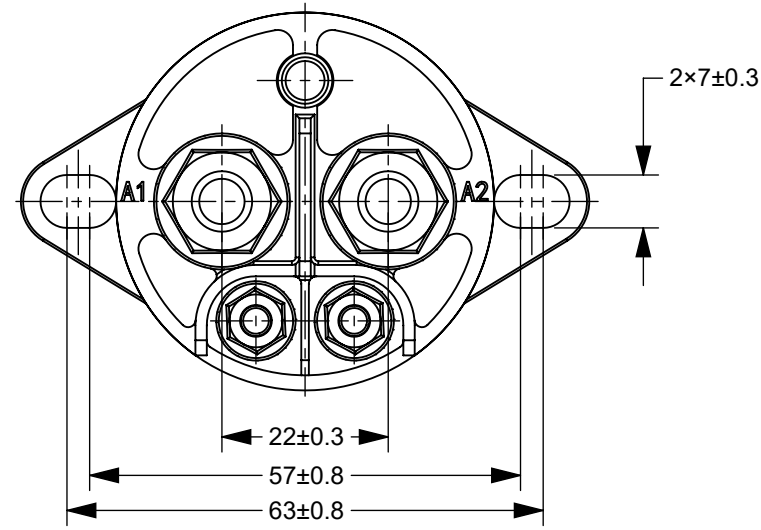


REVISIONS				
ZONE	REV.	DESCRIPTION	DATE	APPROVED
	A	GCF#524714 INITIAL RELEASE	JAN./10/2022	D. ZHANG



PART NUMBER	DCNLR200NB12	DCNLR200NB24	DCNLR200NB48	DCNLR200NB60	
HOLD POWER	9.5W				
MAXIMUM CONTACT VOLTAGE	60V DC				
RETARD CONTACT VOLTAGE	48V DC				
RATED CONTACT CURRENT (@25°C)	200A				
RATED COIL VOLTAGE	12V DC	24V DC	48V DC	60V DC	
OPERATING VOLTAGE (COLD STATE @ 25°C)	PICKUP	9V MAX	18V MAX	36V MAX	45V MAX
	RELEASE	1V MIN	2V MIN	4V MIN	5V MIN
OPERATING TIME (COLD STATE @ 25°C)	OPERATE TIME	MAX 25ms			
	RELEASE TIME	MAX 12ms			
	BOUNCE TIME	MAX 7ms			
CONTACT VOLTAGE DROP	≤80mV @ 200A				
INSULATION RESISTANCE@ 500V (INITIAL)	≥100MΩ				
DIELECTRIC STRENGTH (LEAKAGE CURRENT≤1mA)	2200V AC, 1 MINUTE				
ELECTRIC LIFE (CYCLES)	30, 000 CYCLES (200A @ 48V DC)				
	50, 000 CYCLES (200A @ 24V DC)				
MECHANICAL LIFE (NO LOAD, CYCLES)	200,000				
WORKING DUTY	CONTINUOUS				

NO.	PN	NAME PLATE		REMARK
		"A"	"B"	
1	DCNLR200NB12	DCNLR200NB12	Rated Coil Voltage:12VDC	
2	DCNLR200NB24	DCNLR200NB24	Rated Coil Voltage:24VDC	
3	DCNLR200NB48	DCNLR200NB48	Rated Coil Voltage:48VDC	
4	DCNLR200NB60	DCNLR200NB60	Rated Coil Voltage:60VDC	

- NOTES:
- ALL DIMENSIONS ARE REFERENCE ONLY.
 - PRODUCT TYPE: SPST-NO.
 - SEE TABLE 2 FOR CONFIGURATION OF NAME PLATE, RATED COIL VOLTAGE AND PNs.
 - MATERIALS AND FINISH:
 - HOUSING : THERMOPLASTIC PLASTICS.
 - CONTACTS: COPPER ALLOY.
 - CONTACT STUDS: COPPER ALLOY.
 - COIL STUDS: COPPER ALLOY.
 - MAIN CONTACT M8 STUD, TORQUE: 8~12N·m, COIL CONTACT M4 STUD, TORQUE: 1.0~1.6N·m.
 - MOUNTING: M5 BOLT, RECOMMENDED TORQUE: 4~6N·m.
 - CONTACTOR PARAMETERS ARE SHOWN IN TABLE 1.

DIMENSIONS ARE SHOWN IN MILLIMETERS. DIMENSIONS AND TOLERANCES ARE DEFINED ACCORDING TO ANSIA/SME Y14.5-1994.

●	FTI / FUNCTION CRITICAL CHARACTERISTICS
<S>	SAFETY / COMPLIANCE CRITICAL CHARACTERISTICS SYMBOL
CPK	DENOTES CPK DIMENSIONS MINIMUM CPK VALUE
(ST)	DENOTES A CHARACTERISTIC THAT PROVIDES AN INDICATION OF PROCESS PERFORMANCE PROCEDURE FOR MEASUREMENT AND TRACKING TO BE DEFINED IN LITTELFUSE INSPECTION INSTRUCTIONS
CP	DENOTES CP DIMENSIONS. MINIMUM CP VALUE MUST BE WITHIN THE DIMENSIONAL LIMITATIONS SHOWN ON DRAWING AND INITIALLY LOCATED TO ALLOW FOR MAXIMUM TOOL LIFE

NAME	DATE	<p>Expertise Applied Answers Delivered</p>
DRAWN: JY. SHI	May/19/2021	
CHECKED: J. LI	May/26/2021	TITLE: DCNLR 200A 48V NP CONTACTOR
FORM NO. CVP-PE40-0005 REV B		
THIRD ANGLE PROJECTION		SIZE: C DWG. NO.: OL-DCNLR200NB,CHT REV. B
DO NOT SCALE DRAWING		
SCALE: 1:1		SHEET 1 OF 1