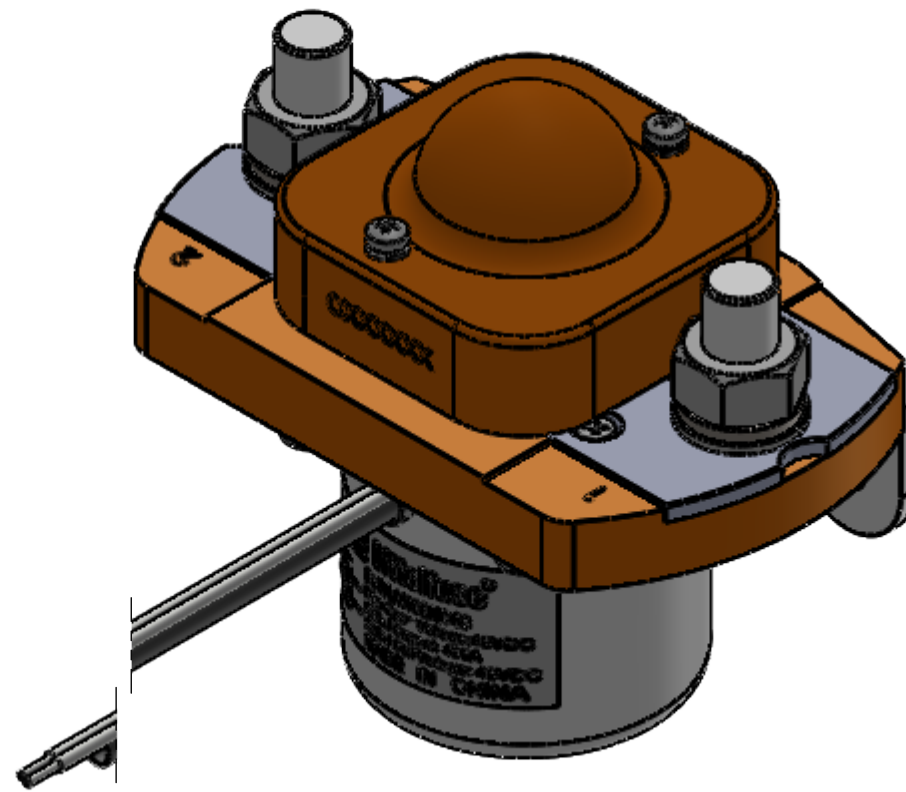
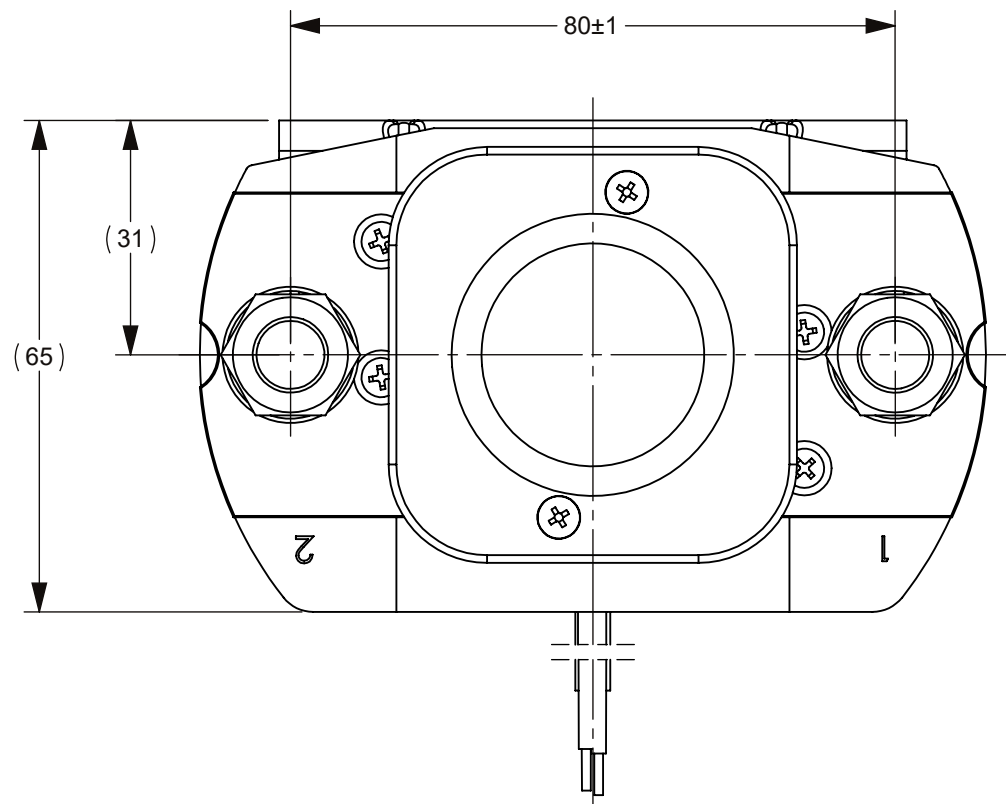
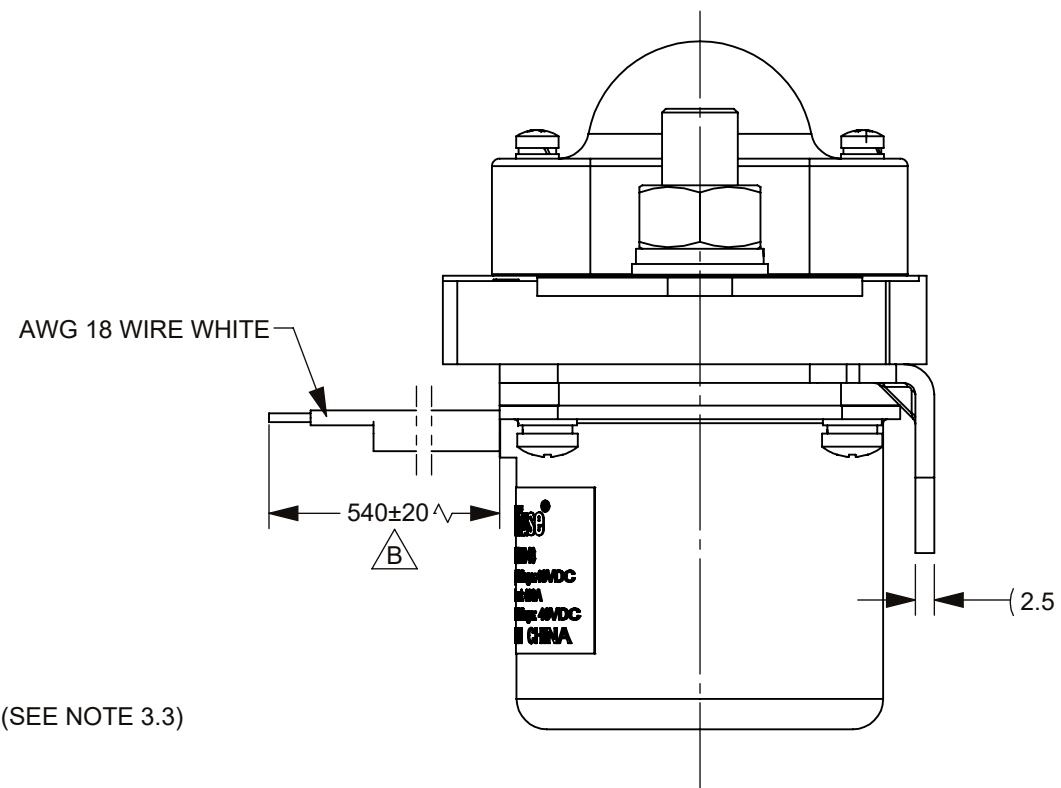
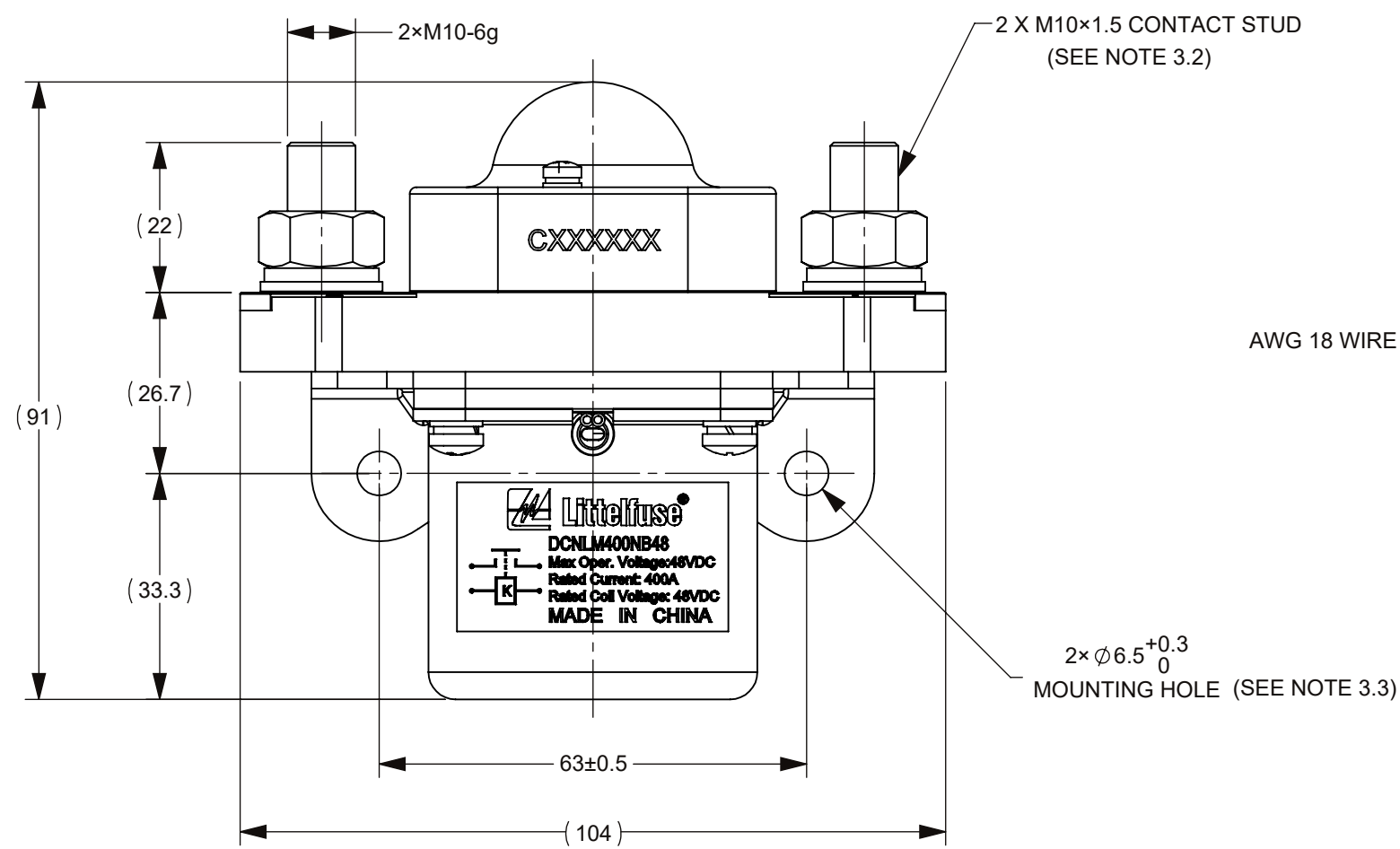
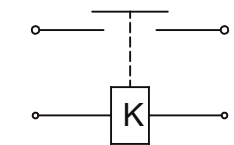


THIS DRAWING AND THE INFORMATION CONTAINED WITHIN IT ARE CONFIDENTIAL AND MAY NOT BE COPIED OR DISCLOSED WITHOUT THE WRITTEN PERMISSION OF LITTELFUSE.

REVISIONS				
ZONE	REV.	DESCRIPTION	DATE	APPROVED
	A	GCF#524055 INITIAL RELEASE	Jun./20/2021	D. ZHANG
4C;1B	B	ECR#524964 540±20 WAS 700(+10,0); CORRECT TYPO: 50 WAS 2	4/1/2022	D. ZHANG



CIRCUIT SCHEMATIC DIAGRAM



TECHNICAL PARAMETERS 1	
ITEM	PARAMETER
RATED COIL VOLTAGE	48V DC
HOLD POWER	MAX15W
OPERATING VOLTAGE IN COLD STATE (15°C ~ 25°C)	PICKUP: 33.6V DC MAX RELEASE: 4V DC MIN
OPERATE TIME	MAX 40ms
RELEASE TIME	MAX 20ms
BOUNCE TIME	MAX 5ms
RATED CONTACT VOLTAGE	48V DC
MAXIMUM CONTACT VOLTAGE	60V DC
RATED CONTACT CURRENT	400A
CONTACT VOLTAGE DROP	≤50mV@100 A
LIMIT BREAKING ABILITY	4le/5ms, 1CYCLES
DIELECTRIC STRENGTH	1000V AC, 50Hz, 1min., LEAKAGE CURRENT ≤1 mA
INSULATION RESISTANCE	≥50MΩ@500VDC
ELECTRICAL LIFE	6000 CYCLES
MECHANICAL LIFE	100,000 CYCLES
WORKING DUTY	CONTINUOUS

CONTACTOR NOTES:

- ALL SIZES ARE FOR REFERENCE ONLY.
- MATERIAL:
 - BASE: THERMOSETTING PLASTIC, UL94V-0.
 - CONTACTS: SILVER ALLOY.
- PRODUCT TECHNICAL PARAMETERS: SEE TABLE 1.
 - CONTACT ARRANGEMENT: SPST-NO.
 - CONNECTION STUD: M10 STUD, RECOMMENDED TORQUE : 15 N•m ~ 18 N•m.
 - MOUNTING: M6 BOLT, RECOMMENDED TORQUE 6N•m ~ 8N•m.

DIMENSIONS ARE SHOWN IN MILLIMETERS. DIMENSIONS AND TOLERANCES ARE DEFINED ACCORDING TO ANSIA/SME Y14.5-1994.	
●	FTI/ FUNCTION CRITICAL CHARACTERISTICS
<S>	SAFETY/ COMPLIANCE CRITICAL CHARACTERISTICS SYMBOL
CPK	DENOTES CPK DIMENSIONS MINIMUM CPK VALUE
(ST)	DENOTES A CHARACTERISTIC THAT PROVIDES AN INDICATION OF PROCESS PERFORMANCE PROCEDURE FOR MEASUREMENT AND TRACKING TO BE DEFINED IN LITTELFUSE INSPECTION INSTRUCTIONS
CP	DENOTES CP DIMENSIONS. MINIMUM CP VALUE MUST BE WITHIN THE DIMENSIONAL LIMITATIONS SHOWN ON DRAWING AND INITIALLY LOCATED TO ALLOW FOR MAXIMUM TOOL LIFE
NAME	DATE
DRAWN: M.J. DAI	Jun./20/2021
CHECKED: J. LI	Jun./25/2021
Littelfuse Expertise Applied Answers Delivered	
TITLE DCNL 400A 48V 48V COIL CONTACTOR	
FORM NO. CVP-PE40-0005 REV B	THIRD ANGLE PROJECTION
SIZE: C	DWG. NO. OUTLINE: OL-DCNL400NB48
DO NOT SCALE DRAWING	SCALE 1:1
	REV. B
	SHEET 1 OF 1