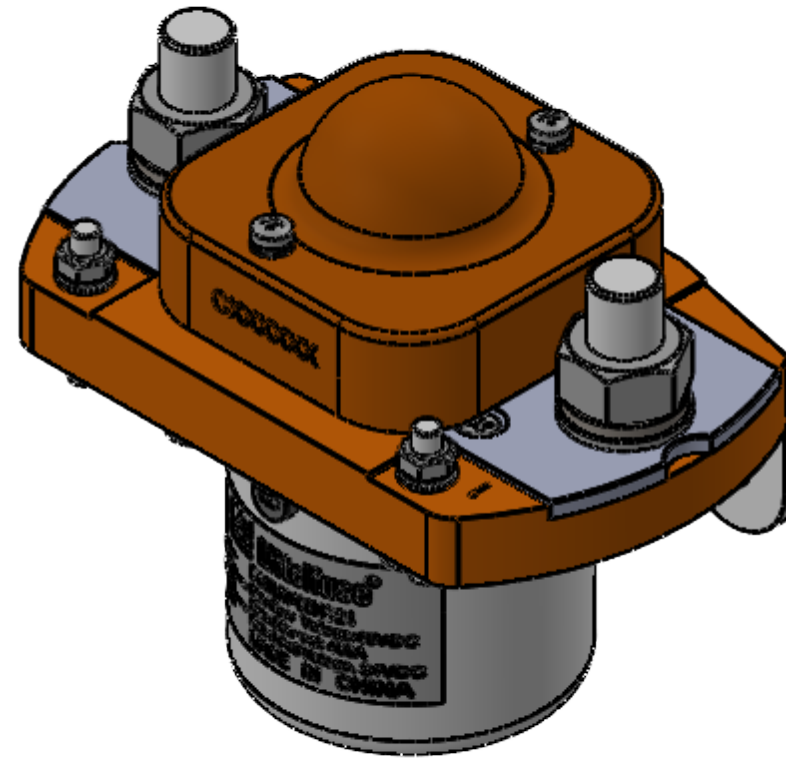
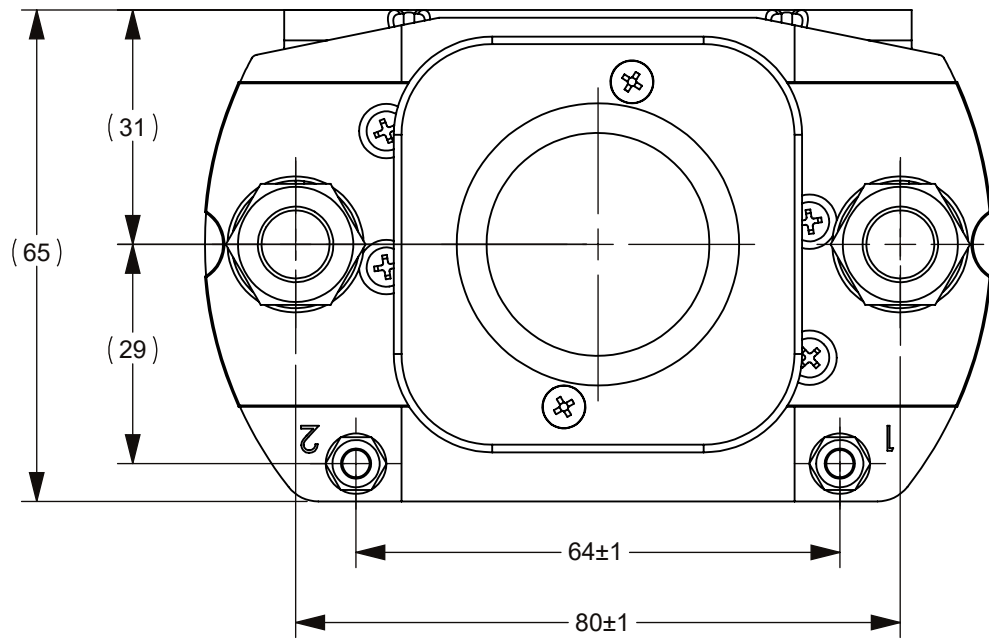
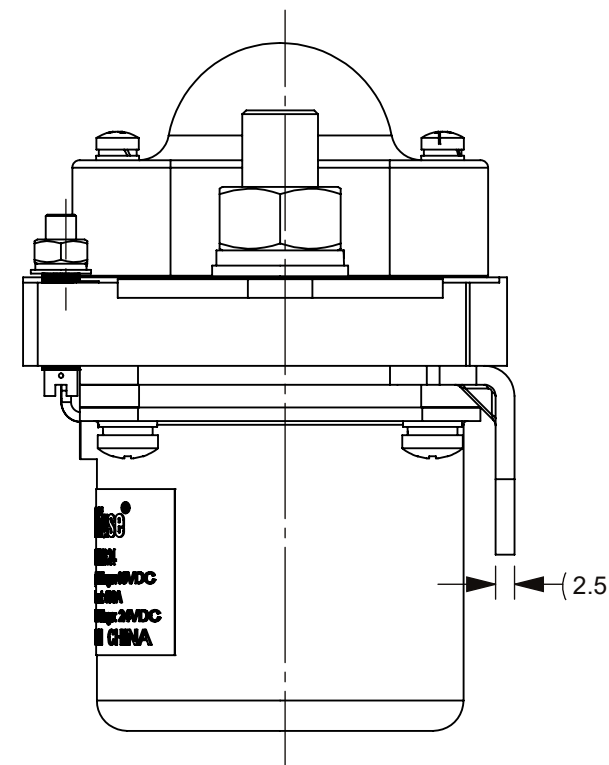
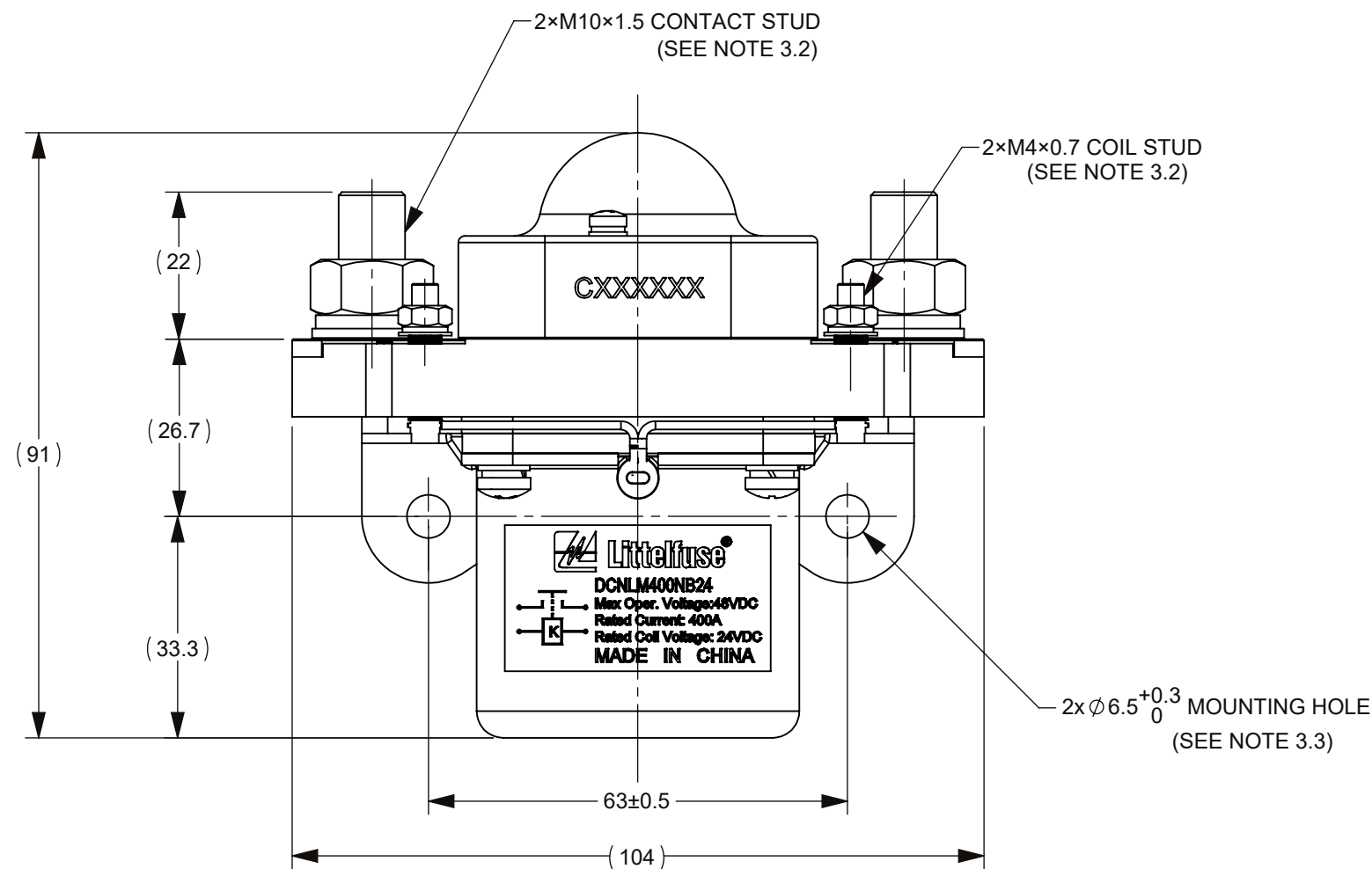
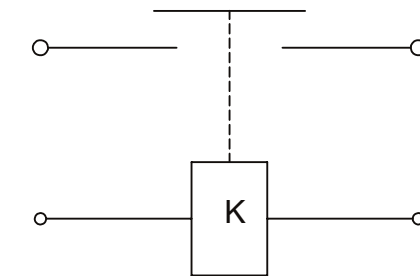


REVISIONS				
ZONE	REV.	DESCRIPTION	DATE	APPROVED
	A	GCF#523779 INITIAL RELEASE	Jun./20/2021	D. ZHANG
1B	B	ECR#524964 CORRECT TYPO:50MΩ WAS 2MΩ	4/1/2022	D. ZHANG



CIRCUIT SCHEMATIC DIAGRAM



TECHNICAL PARAMETERS 1	
ITEM	PARAMETER
RATED COIL VOLTAGE	24V DC
HOLD POWER	MAX15W
OPERATING VOLTAGE IN COLD STATE AT (20±5)°C	PICKUP: 16.8V DC MAX
	RELEASE: 2V DC MIN
OPERATE TIME	MAX 40ms
RELEASE TIME	MAX 20ms
BOUNCE TIME	MAX 5ms
RATED CONTACT VOLTAGE	48V DC
MAXIMUM CONTACT VOLTAGE	60V DC
RATED CONTACT CURRENT	400A
CONTACT VOLTAGE DROP	≤50mV@100 A
LIMIT BREAKING ABILITY	4le/5ms, 1CYCLES
DIELECTRIC STRENGTH	1000V AC, 50Hz, 1min, LEAKAGE CURRENT ≤1 mA
INSULATION RESISTANCE	≥50MΩ@500VDC
ELECTRIC LIFE	6000 CYCLES
MECHANICAL LIFE	100,000 CYCLES
WORKING DUTY	CONTINUOUS

NOTES:

- ALL SIZES ARE FOR REFERENCE ONLY.
- MATERIALS AND FINISHED PRODUCTS:
 - BASE: THERMOSETTING PLASTIC, UL94V-0.
 - CONTACTS: SILVER ALLOY.
 - COIL STUD: COPPER ALLY, SILVER PLATED.
- PRODUCT TECHNICAL PARAMETERS: SEE TABLE 1.
 - CONTACT ARRANGEMENT: SPST-NO.
 - CONNECTION TERMINAL: MAIN CONTACT TERMINAL M10 STUD; COIL TERMINAL M4 STUD; M10 NUT MOUNTING TORQUE : 15 N•m ~ 18 N•m; M4 NUT MOUNTING TORQUE: 1.7N•m ~ 2.5N•m.
 - MOUNTING BOLT M6. TORQUE 6N•m-8N•m.

PER CHNFPD00-008 PROCEDURE

- FIT/ FUNCTION CRITICAL CHARACTERISTICS
- <S> SAFETY/ COMPLIANCE CRITICAL CHARACTERISTICS SYMBOL
- CPK DENOTES CPK DIMENSIONS MINIMUM CPK VALUE
- (ST) DENOTES A CHARACTERISTIC THAT PROVIDES AN INDICATION OF PROCESS PERFORMANCE PROCEDURE FOR MEASUREMENT AND TRACKING TO BE DEFINED IN LITTELFUSE INSPECTION INSTRUCTIONS
- CP DENOTES CP DIMENSIONS. MINIMUM CP VALUE MUST BE WITHIN THE DIMENSIONAL LIMITATIONS SHOWN ON DRAWING AND INITIALLY LOCATED TO ALLOW FOR MAXIMUM TOOL LIFE

DRAWN	MJ. DAI	Jun./20/2021
CHECKED	J. LI	Jun./25/2021

Littelfuse
Expertise Applied | Answers Delivered

FORM NO. CVP-PE40-0005 REV B
THIRD ANGLE PROJECTION

TITLE
DCNL 400A 48V 24V COIL CONTACTOR

SIZE	DWG. NO.	REV.
C	OUTLINE	B

DO NOT SCALE DRAWING SCALE 1:1 SHEET 1 OF 1