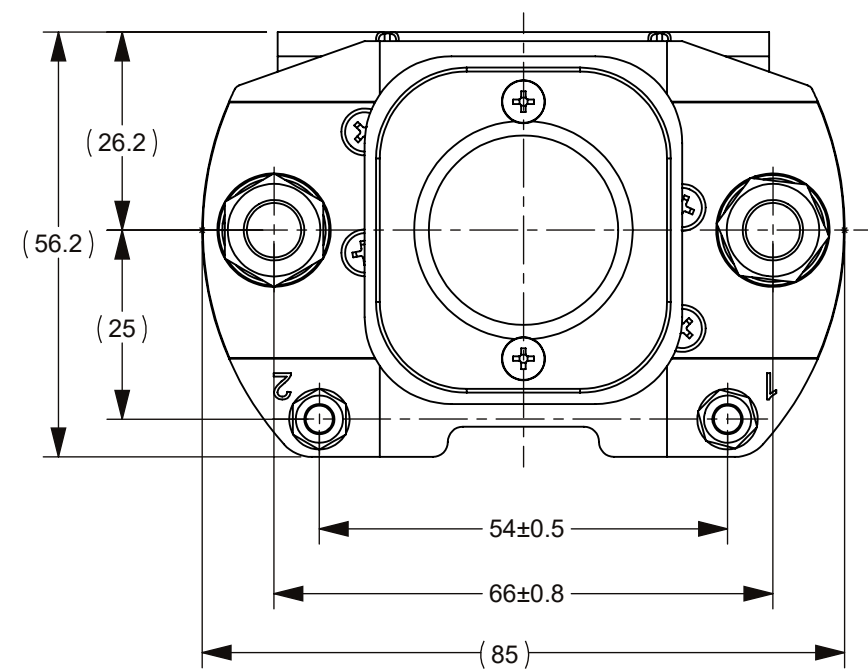


REVISIONS				
ZONE	REV.	DESCRIPTION	DATE	APPROVED
	A	GCF#524592 INITIAL RELEASE	SEP./25/2021	D. ZHANG



CIRCUIT SCHEMATIC DIAGRAM

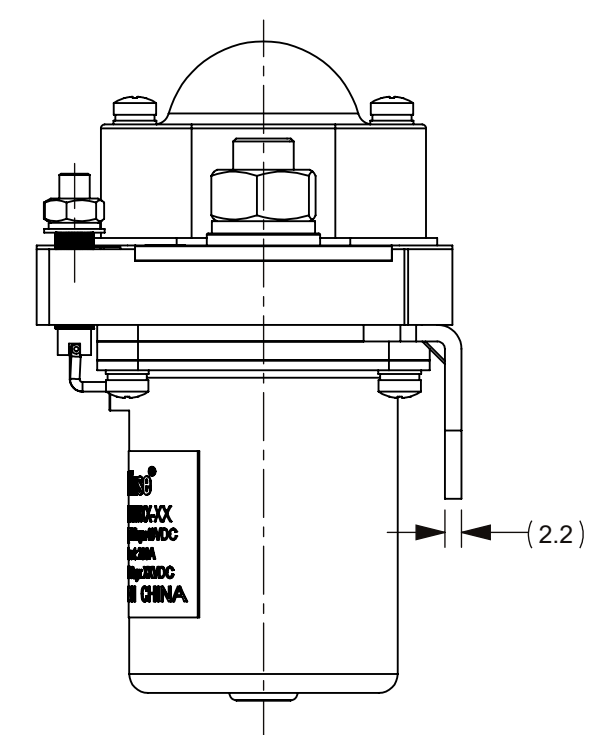
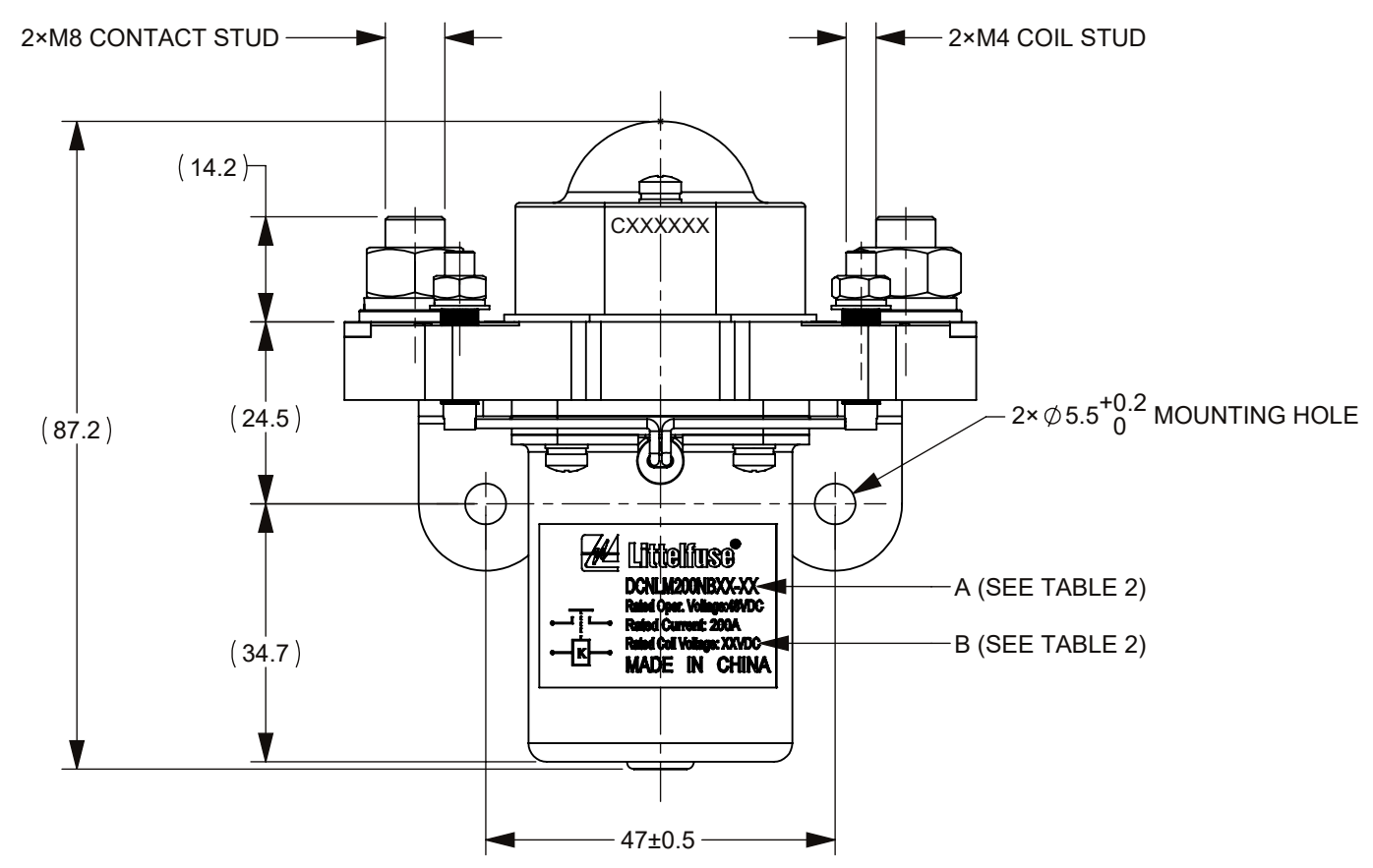
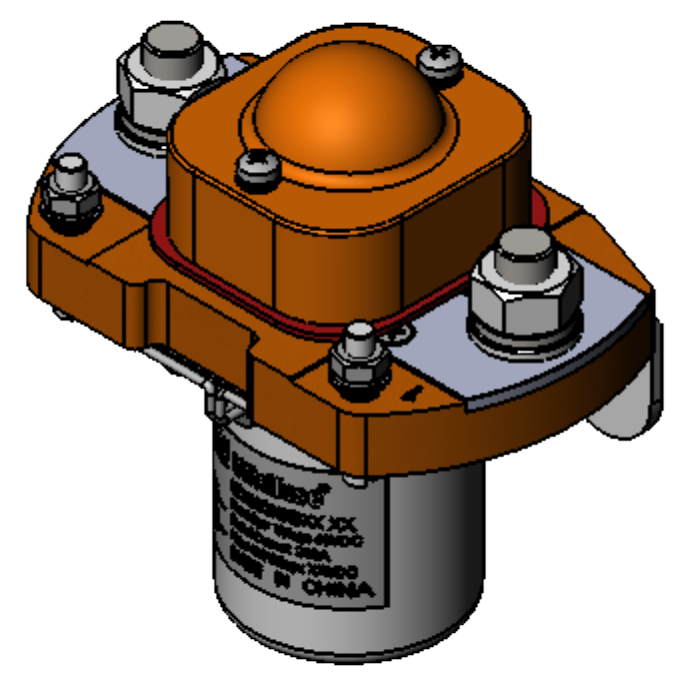
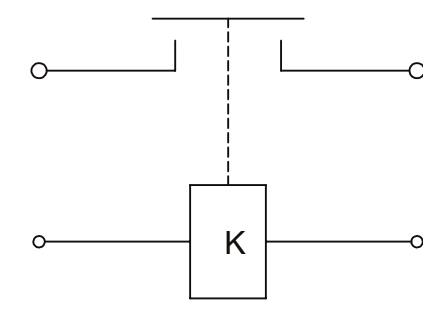


TABLE 1: TECHNICAL PARAMETERS

ITEM	PARAMETER		
	DCNLM200NB12-01	DCNLM200NB24-01	DCNLM200NB48-01
RATED COIL VOLTAGE	12V DC	24V DC	48V DC
HOLD POWER	START POWER	MAX 180W	
	MAINTAIN POWER	MAX 9W	
OPERATING VOLTAGE IN COLD STATE AT (20±5)°C	PICKUP	MAX 8.4V DC	MAX 16.8V DC
	RELEASE	MIN 1V DC	MIN 2V DC
OPERATE TIME	MAX 50ms		
RELEASE TIME	MAX 20ms		
BOUNCE TIME	MAX 7ms		
RATED CONTACT VOLTAGE	48V DC		
MAXIMUM CONTACT VOLTAGE	60V DC		
RATED CONTACT CURRENT	200A		
CONTACT VOLTAGE DROP	≤50mV@100 A		
LIMIT BREAKING ABILITY	4le/5ms,1CYCLES		
DIELECTRIC STRENGTH	1000V AC, 50Hz,1min., LEAKAGE CURRENT ≤1 mA		
INSULATION RESISTANCE	≥50MΩ@50VDC		
ELECTRIC LIFE	6000 CYCLES		
MECHANICAL LIFE	100,000 CYCLES		
WORKING DUTY	CONTINUOUS		

NOTES:

- ALL SIZES ARE FOR REFERENCE ONLY.
- MATERIALS AND FINISHING:
  - BASE: THERMOSETTING PLASTIC, UL94V-0.
  - CONTACTS: SILVER ALLOY.
  - COIL STUD: COPPER ALLY, SILVER PLATED.
- PRODUCT TECHNICAL PARAMETERS: SEE TABLE 1.
- PRODUCT AND NAMEPLATE (THE CHARACTER CONTENT AT "A" AND "B") CONFIGURATION SEE TABLE 2.
- CONTACT ARRANGEMENT: SPST-NO.
- CONNECTION STUD: M8 STUD, RECOMMENDED TORQUE 9 N·m ~ 11 N·m; M4 STUD, RECOMMENDED TORQUE 1.7 N·m ~ 2.5 N·m.
- MOUNTING: M5 BOLT, RECOMMENDED TORQUE 4 N·m ~ 5 N·m.

TABLE 2

PRODUCT PN	"A"	"B"
DCNLM200NB12-01	DCNLM200NB12-01	Rated Coil Voltage: 12VDC
DCNLM200NB24-01	DCNLM200NB24-01	Rated Coil Voltage: 24VDC
DCNLM200NB48-01	DCNLM200NB48-01	Rated Coil Voltage: 48VDC

DIMENSIONS ARE SHOWN IN MILLIMETERS. DIMENSIONS AND TOLERANCES ARE DEFINED ACCORDING TO ANSI/ASME Y14.5-1994.

●	FTI/ FUNCTION CRITICAL CHARACTERISTICS
<S>	SAFETY/ COMPLIANCE CRITICAL CHARACTERISTICS SYMBOL
CPK	DENOTES CPK DIMENSIONS MINIMUM CPK VALUE
(ST)	DENOTES A CHARACTERISTIC THAT PROVIDES AN INDICATION OF PROCESS PERFORMANCE PROCEDURE FOR MEASUREMENT AND TRACKING TO BE DEFINED IN LITTELFUSE INSPECTION INSTRUCTIONS
CP	DENOTES CP DIMENSIONS. -MINIMUM CP VALUE MUST BE WITHIN THE DIMENSIONAL LIMITATIONS SHOWN ON DRAWING AND INITIALLY LOCATED TO ALLOW FOR MAXIMUM TOOL LIFE

NAME	DATE	 Expertise Applied   Answers Delivered
DRAWN: MJ. DAI	SEP./25/2021	
CHECKED: J. LI	SEP./30/2021	TITLE
FORM NO: CVP-PE40-0005 REV B		DCNLM 200A 48V CONTACTOR
THIRD ANGLE PROJECTION		SIZE: C
DO NOT SCALE DRAWING		DWG. NO. OL-DCNLM200NB,CHT2
SCALE 1:1		REV. A
		SHEET 1 OF 1