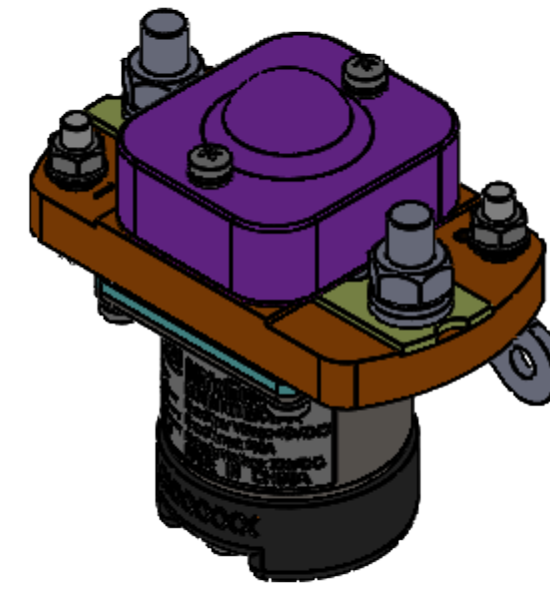
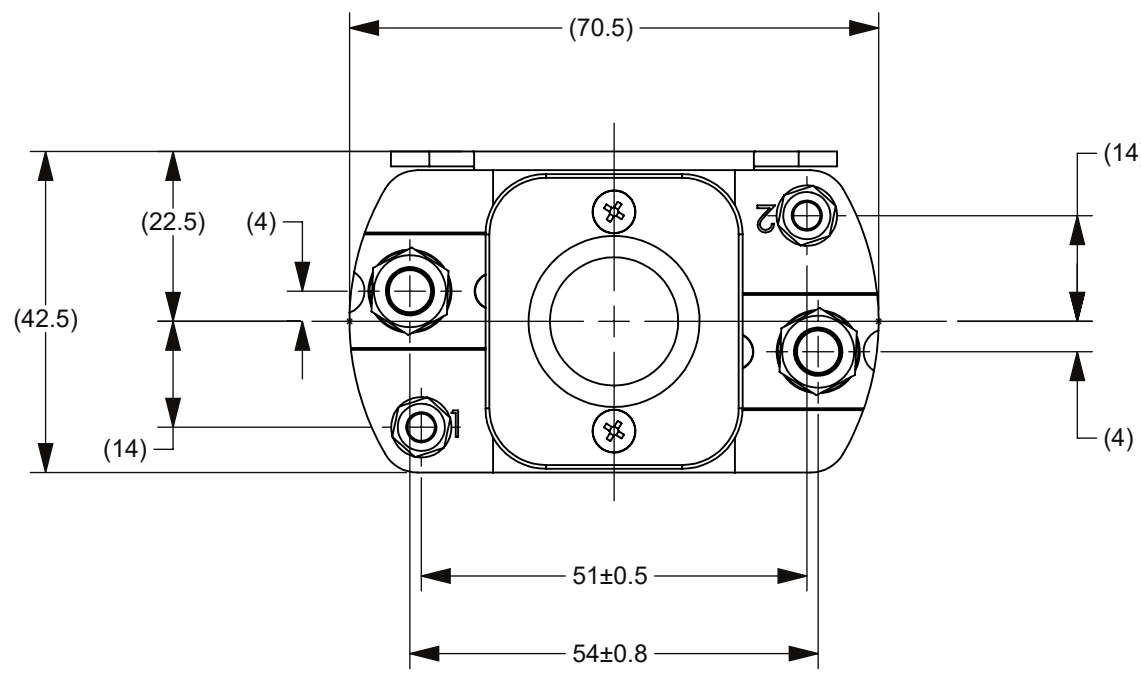


| REVISIONS |      |                            |             |          |
|-----------|------|----------------------------|-------------|----------|
| ZONE      | REV. | DESCRIPTION                | DATE        | APPROVED |
|           | A    | GCF#524673 INITIAL RELEASE | OCT.27/2021 | D. ZHANG |



CIRCUIT SCHEMATIC DIAGRAM

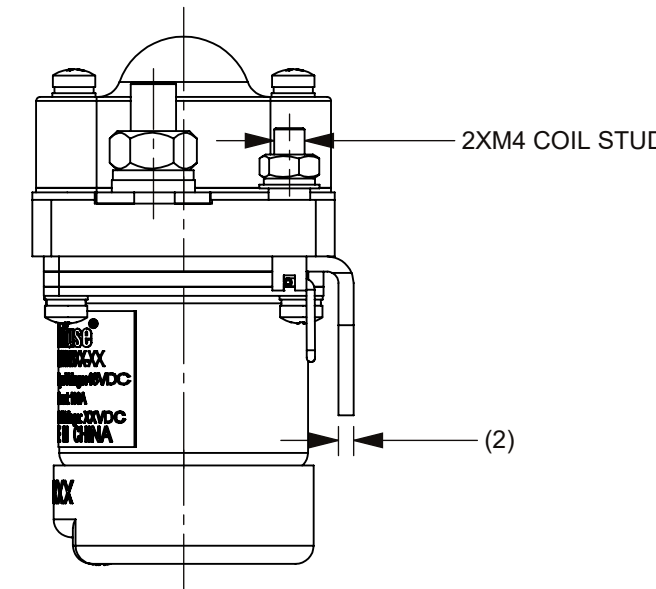
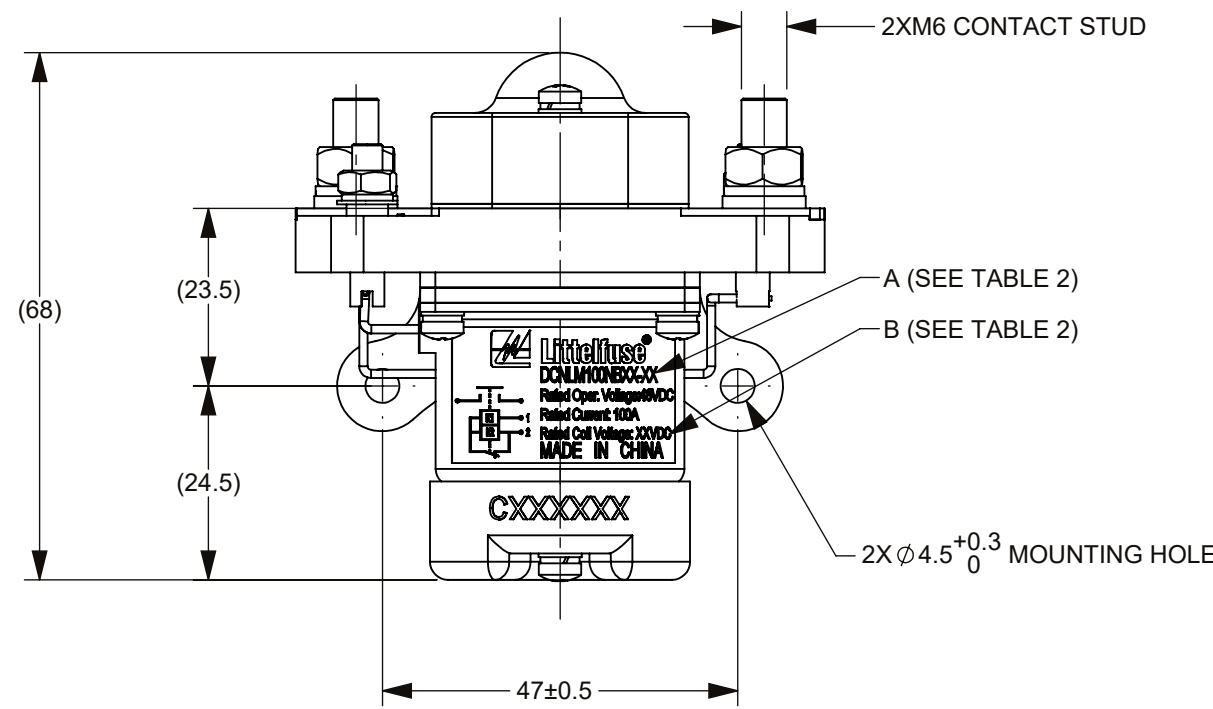
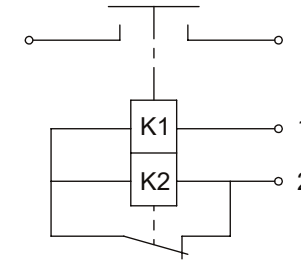


TABLE 1: TECHNICAL PARAMETERS

| ITEM  | PARAMETER                                   |                 |                 |             |
|---|---|-----------------|-----------------|-------------|
|   | DCNLM100NB12-01                             | DCNLM100NB24-01 | DCNLM100NB48-01 |             |
| RATED COIL VOLTAGE                          | 12V DC                                      | 24V DC          | 48V DC          |             |
| HOLD POWER                                  | START POWER                                 | MAX 150W        |                 |             |
|   | MAINTAIN POWER                              | MAX 9W          |                 |             |
| OPERATING VOLTAGE IN COLD STATE AT (20±5)°C | PICKUP                                      | MAX 8V DC       | MAX 16V DC      | MAX 26V DC  |
|   | RELEASE                                     | MIN 1.2V DC     | MIN 2.4V DC     | MIN 5.4V DC |
| OPERATE TIME                                | MAX 30ms                                    |                 |                 |             |
| RELEASE TIME                                | MAX 30ms                                    |                 |                 |             |
| BOUNCE TIME                                 | MAX 7ms                                     |                 |                 |             |
| RATED CONTACT VOLTAGE                       | 48V DC                                      |                 |                 |             |
| MAXIMUM CONTACT VOLTAGE                     | 60V DC                                      |                 |                 |             |
| RATED CONTACT CURRENT                       | 100A  |                 |                 |             |
| CONTACT VOLTAGE DROP                        | ≤80mV@100 A                                 |                 |                 |             |
| LIMIT BREAKING ABILITY                      | 4le/5ms,1CYCLES                             |                 |                 |             |
| DIELECTRIC STRENGTH                         | 1000V AC, 50Hz,1min., LEAKAGE CURRENT ≤1 mA |                 |                 |             |
| INSULATION RESISTANCE                       | ≥50MΩ@500VDC                                |                 |                 |             |
| ELECTRIC LIFE                               | 10000 CYCLES                                |                 |                 |             |
| MECHANICAL LIFE                             | 100,000 CYCLES                              |                 |                 |             |
| WORKING DUTY                                | CONTINUOUS                                  |                 |                 |             |

NOTES:

- ALL SIZES ARE FOR REFERENCE ONLY.
- MATERIALS AND FINISH:
  - BASE: THERMOSETTING PLASTIC, UL94V-0.
  - CONTACTS: SILVER ALLOY.
  - COIL STUD: COPPER ALLY, SILVER PLATED.
- PRODUCT TECHNICAL PARAMETERS: SEE TABLE 1.
- PRODUCT AND NAMEPLATE (THE CHARACTER CONTENT AT "A" AND "B") CONFIGURATION SEE TABLE 2.
- CONTACT ARRANGEMENT: SPST-NO.
- CONNECTION STUD: M6 STUD, RECOMMENDED TORQUE 4 N·m ~ 6 N·m; M4 STUD, RECOMMENDED TORQUE 1.7 N·m ~ 2.5 N·m.
- MOUNTING: M4 BOLT, RECOMMENDED TORQUE 1.7 N·m ~ 2.5 N·m.

TABLE 2 P/N AND CONFIGURATION

| P/N             | "A"             | "B"                       |
|-----------------|-----------------|---------------------------|
| DCNLM100NB12-01 | DCNLM100NB12-01 | Rated Coil Voltage: 12VDC |
| DCNLM100NB24-01 | DCNLM100NB24-01 | Rated Coil Voltage: 24VDC |
| DCNLM100NB48-01 | DCNLM100NB48-01 | Rated Coil Voltage: 48VDC |

DIMENSIONS ARE SHOWN IN MILLIMETERS. DIMENSIONS AND TOLERANCES ARE DEFINED ACCORDING TO ANSI/ASME Y14.5-1994.

|      |  |
|------|--|
| ●    | FTI/ FUNCTION CRITICAL CHARACTERISTICS   |
| <S>  | SAFETY/ COMPLIANCE CRITICAL CHARACTERISTICS SYMBOL   |
| CPK  | DENOTES CPK DIMENSIONS MINIMUM CPK VALUE   |
| (ST) | DENOTES A CHARACTERISTIC THAT PROVIDES AN INDICATION OF PROCESS PERFORMANCE PROCEDURE FOR MEASUREMENT AND TRACKING TO BE DEFINED IN LITTELFUSE INSPECTION INSTRUCTIONS |
| CP   | DENOTES CP DIMENSIONS. -MINIMUM CP VALUE MUST BE WITHIN THE DIMENSIONAL LIMITATIONS SHOWN ON DRAWING AND INITIALLY LOCATED TO ALLOW FOR MAXIMUM TOOL LIFE              |

| NAME           | DATE         |
|----------------|--------------|
| DRAWN V. ZHANG | OCT./27/2021 |
| CHECKED J. LI  | OCT./30/2021 |
|                |              |
|                |              |

FORM NO. CVP-PE40-0005 REV B  
THIRD ANGLE PROJECTION

**Littelfuse**  
Expertise Applied | Answers Delivered

TITLE  
DCNL 100A 48V COIL CONTACTOR

SIZE C DWG. NO. OL-DCNLM100NB.CHT2 REV. A  
DO NOT SCALE DRAWING SCALE 1:1 SHEET 1 OF 1