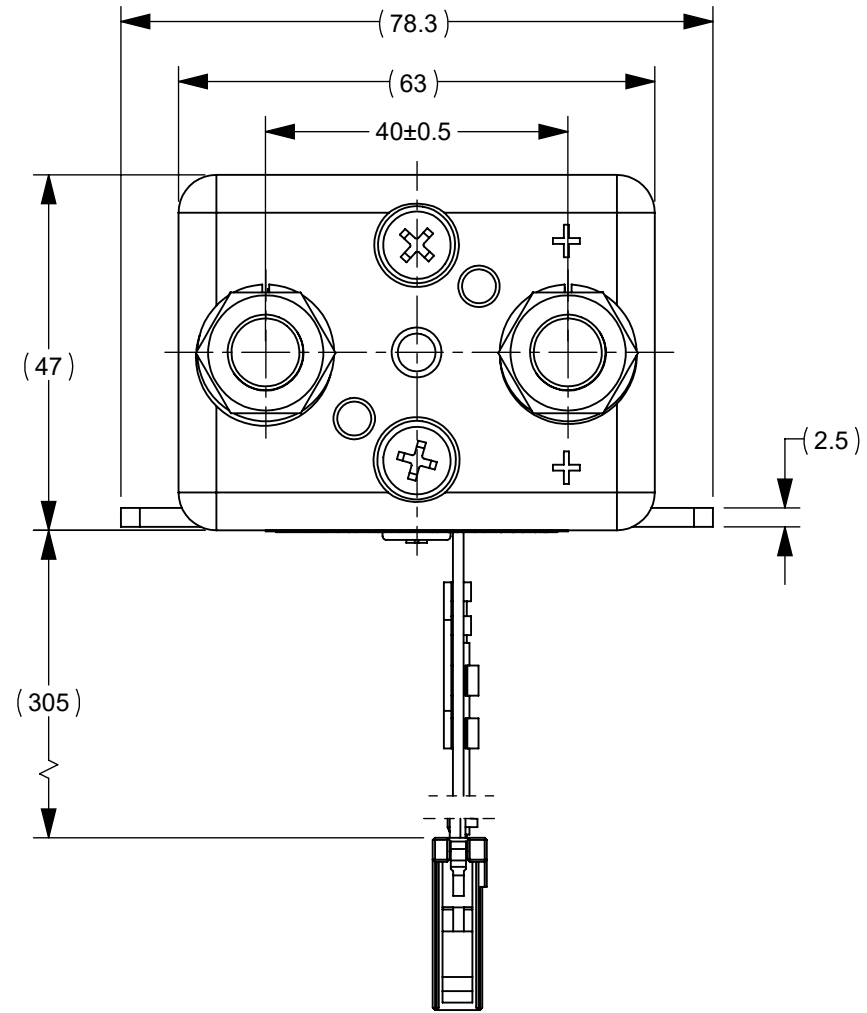
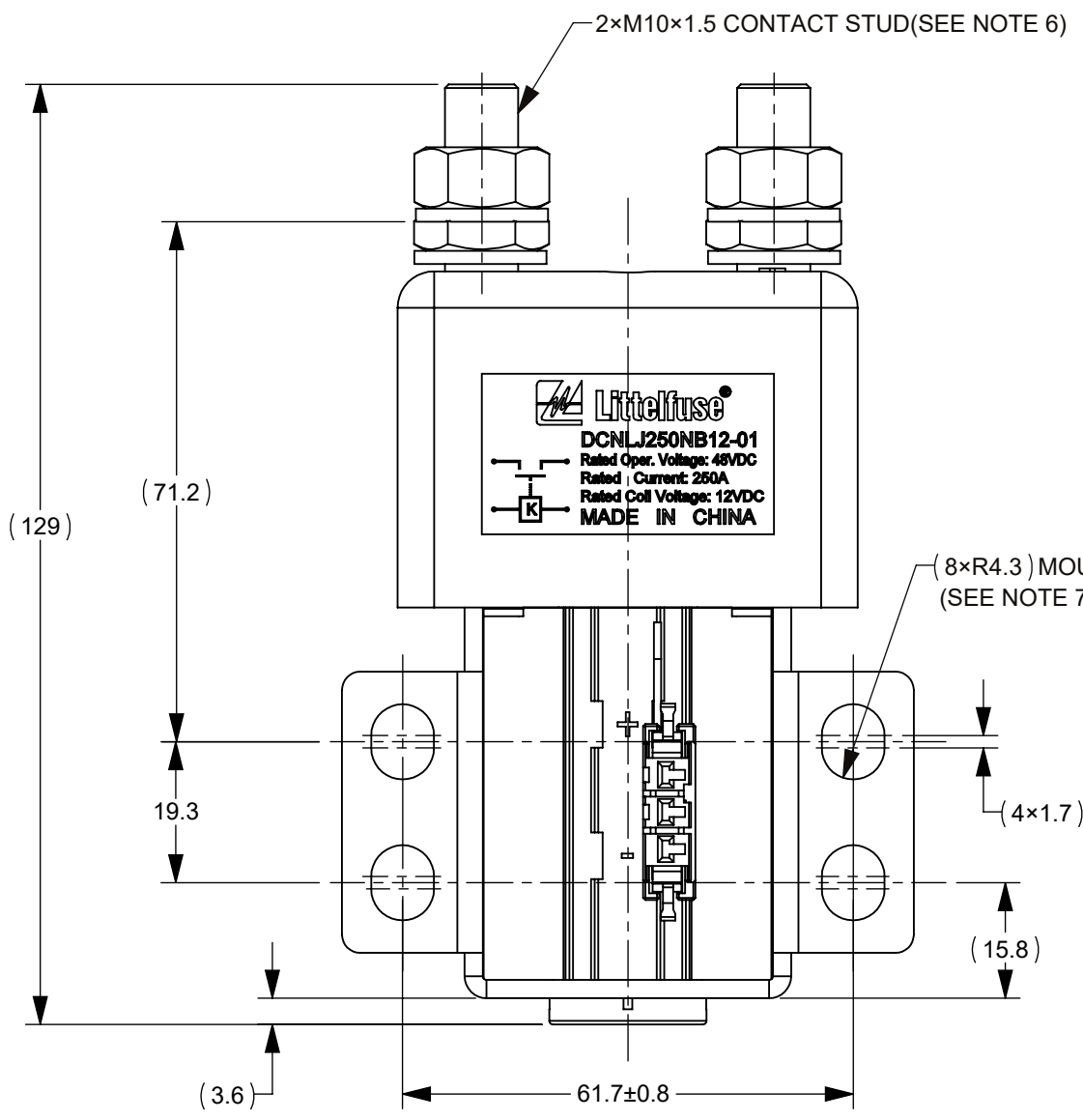
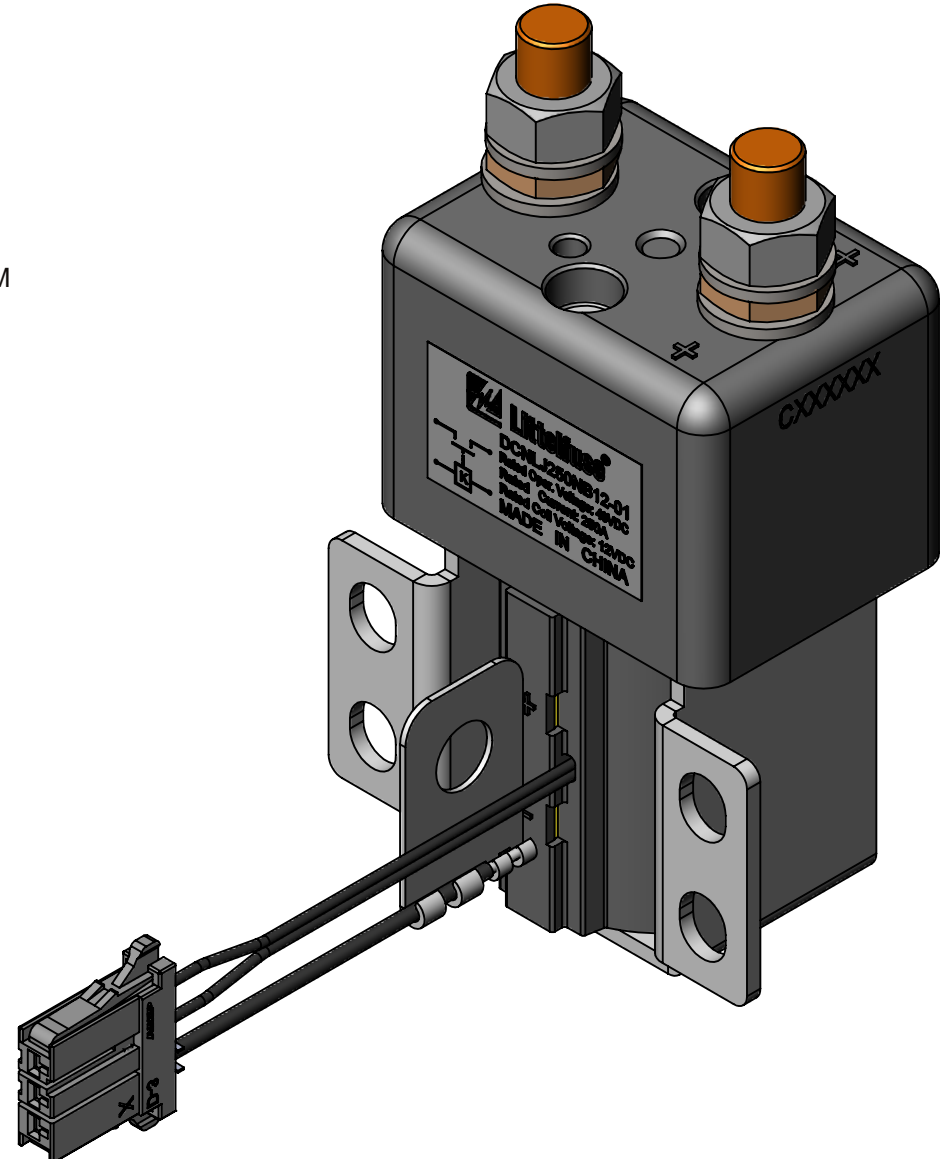
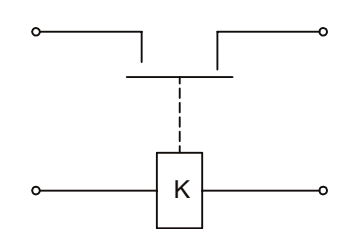


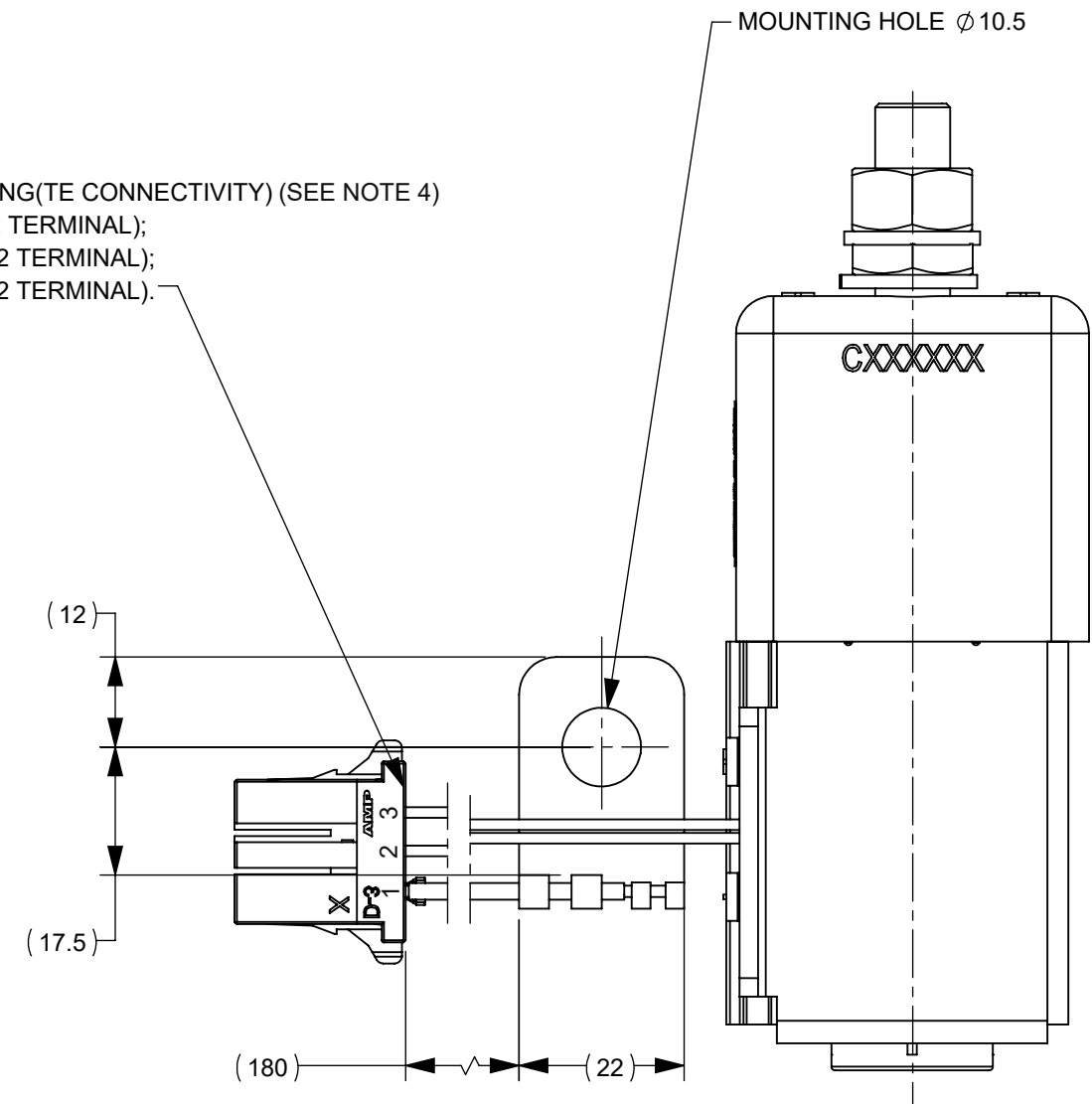
REVISIONS				
ZONE	REV.	DESCRIPTION	DATE	APPROVED
	A	GCF#524670 INITIAL RELEASE	NOV./10/2021	D. ZHANG
D5	B	ECR#525021 ADD CONNECTOR INTERFACE DEFINITION	4/8/2022	D. ZHANG



CIRCUIT SCHEMATIC DIAGRAM



- △ 1-178128-3 RECEPTACLE HOUSING(TE CONNECTIVITY) (SEE NOTE 4)
- 1 FREE WIRE(16AWG,1-175218-2 TERMINAL);
- 2 RELAY COIL(22AWG,1-175217-2 TERMINAL);
- 3 RELAY COIL(22AWG,1-175217-2 TERMINAL).



ITEM	PARAMETER	
RATED COIL VOLTAGE	12V DC	
HOLD POWER	MAX 16W	
OPERATING VOLTAGE IN COLD STATE AT (20±5)°C	PICK-UP(V DC)	MAX 8.4
	RELEASE(V DC)	MIN 1.0
PICK-UP TIME	MAX 60ms	
RELEASE TIME	MAX 25ms	
BOUNCE TIME	MAX 5ms	
RATED CONTACT VOLTAGE	48V DC	
MAXIMUM CONTACT VOLTAGE	60V DC	
RATED CONTACT CURRENT	250A	
CONTACT VOLTAGE DROP	≤50mV@100 A	
LIMIT BREAKING ABILITY	4Ie/5ms, 1CYCLES	
DIELECTRIC STRENGTH	1000V AC, 50Hz, 1min, LEAKAGE CURRENT ≤1 mA	
INSULATION RESISTANCE	≥50MQ@500VDC	
ELECTRIC LIFE	6000 CYCLES	
MECHANICAL LIFE	300,000 CYCLES	
WORKING DUTY	CONTINUOUS	

- NOTES:
- ALL SIZES ARE FOR REFERENCE ONLY.
  - MATERIALS AND FINISH:
    - 1 BASE: PHENOLPLASTIC, UL94V-0.
    - 2 CONTACTS: SILVER ALLOY.
    - 3 STUD: COPPER ROD.
  - PRODUCT TECHNICAL PARAMETERS: SEE TABLE 1.
  - CONNECTORS MATCH: TE CONNECTIVITY: 1-178138-3 OR 1-178136-3 RECOMMENDED.
  - CONTACT ARRANGEMENT: SPST-NO.
  - CONNECTION STUD: M10 STUD, RECOMMENDED TORQUE: 9 N•m ~ 11 N•m.
  - MOUNTING: M8 BOLT, RECOMMENDED TORQUE: 12 N•m-15 N•m.

PER CHINFPD00-008 PROCEDURE

- FITI/ FUNCTION CRITICAL CHARACTERISTICS
- <S> SAFETY/ COMPLIANCE CRITICAL CHARACTERISTICS SYMBOL
- CPK DENOTES CPK DIMENSIONS MINIMUM CPK VALUE
- (ST) DENOTES A CHARACTERISTIC THAT PROVIDES AN INDICATION OF PROCESS PERFORMANCE PROCEDURE FOR MEASUREMENT AND TRACKING TO BE DEFINED IN LITTELFUSE INSPECTION INSTRUCTIONS
- CP DENOTES CP DIMENSIONS. -MINIMUM CP VALUE MUST BE WITHIN THE DIMENSIONAL LIMITATIONS SHOWN ON DRAWING AND INITIALLY LOCATED TO ALLOW FOR MAXIMUM TOOL LIFE

NAME	DATE	<p><b>Expertise Applied   Answers Delivered</b></p>
DRAWN	NOV./10/2021	
CHECKED	NOV./15/2021	
FORM NO. CVP-PE40-0005 REV B		TITLE
THIRD ANGLE PROJECTION		DCNLJ 250A 48V 12V COIL CONTACTOR
DO NOT SCALE DRAWING	SCALE 1:1	REV. B
		SHEET 1 OF 1