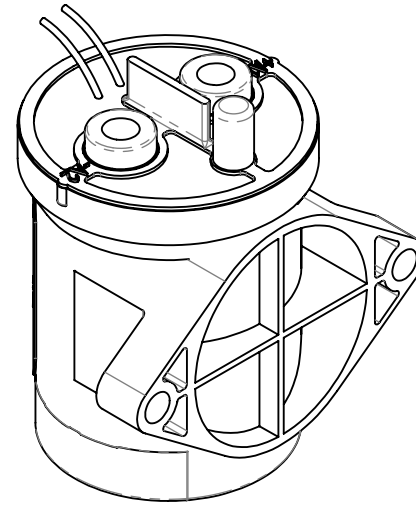
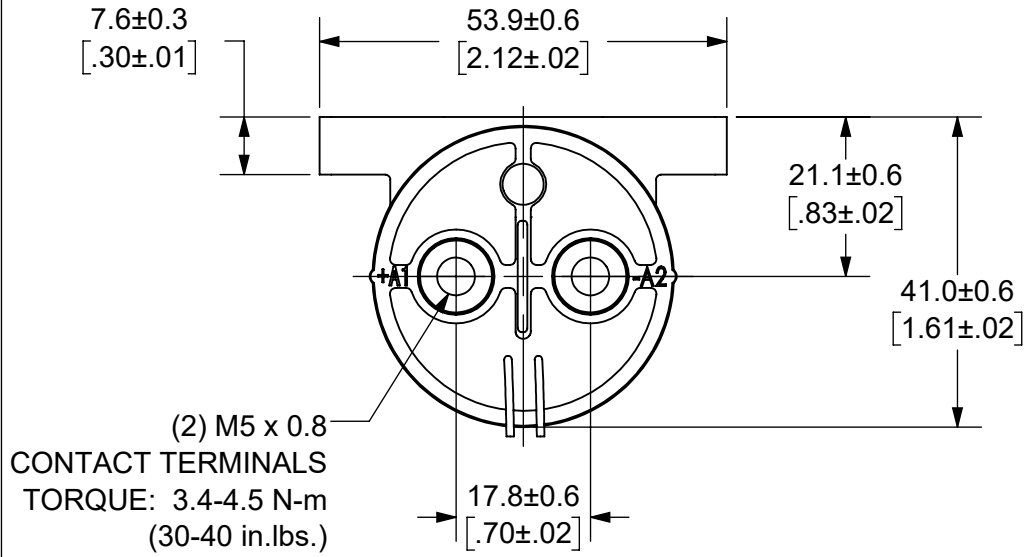
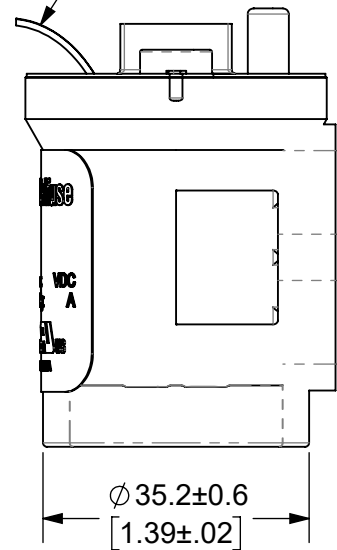
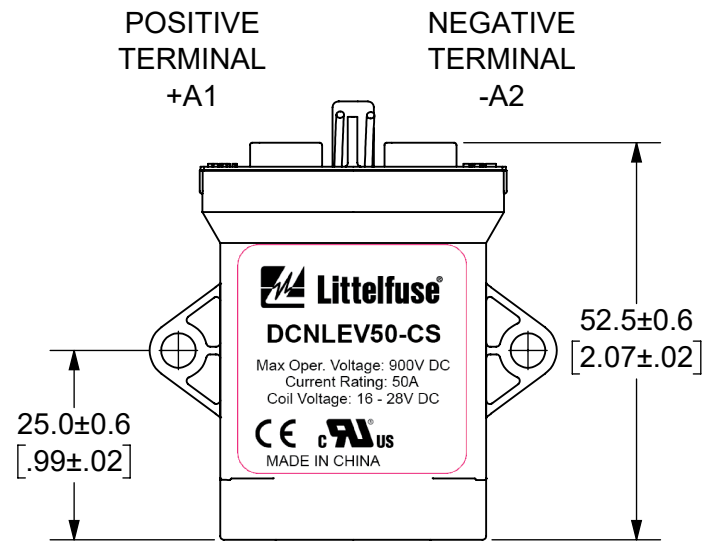


THIS DRAWING AND THE INFORMATION CONTAINED WITHIN IT ARE CONFIDENTIAL AND MAY NOT BE COPIED OR DISCLOSED WITHOUT THE WRITTEN PERMISSION OF LITTELFUSE.

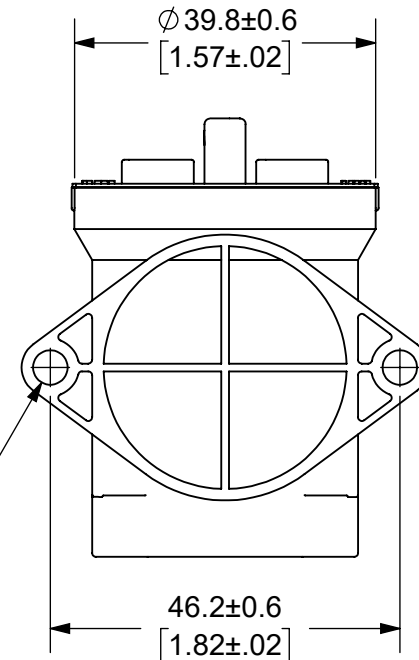
| REVISIONS |      |                                   |            |          |
|-----------|------|-----------------------------------|------------|----------|
| ZONE      | REV. | DESCRIPTION                       | DATE       | APPROVED |
|           | A    | INITIAL RELEASE. GCF 500000021765 | 12/10/2019 | DGK      |



COIL WIRES, WHITE  
LENGTH: 380±10 [15.0±.4]



(2) Ø 4.6±0.3  
[.18±.01]  
MOUNTING HOLES  
TORQUE: 2.3 N-m  
(20 in.-lbs.)



- NOTES: UNLESS OTHERWISE SPECIFIED
- CONTACT ARRANGEMENT: SPST-NO
  - CONTINUOUS CURRENT RATING: 50 AMPS
  - CONTACT VOLTAGE RATING: 12 - 900 VDC
  - CONTACT TERMINALS POLARIZED
  - HARDWARE: NONE
  - WEIGHT: 190 GRAMS (6.7 OZ.)
  - CERTIFICATIONS:  
    - UL RECOGNIZED FOR CANADA AND THE UNITED STATES.
    - EUROPEAN ECONOMIC AREA RECOGNIZED.
    - RoHS COMPLIANT

|   |            |  |
|---|------------|--|
| ●   |            | FIT/ FUNCTION CRITICAL CHARACTERISTICS SYMBOL  |
| <S>   |            | SAFETY/ COMPLIANCE CRITICAL CHARACTERISTICS SYMBOL   |
| CPK   |            | DENOTES CPK DIMENSIONS MINIMUM CPK VALUE   |
| ST  |            | DENOTES A CHARACTERISTIC THAT PROVIDES AN INDICATION OF PROCESS PERFORMANCE PROCEDURE FOR MEASUREMENT AND TRACKING TO BE DEFINED IN LITTELFUSE INSPECTION INSTRUCTIONS |
| CP  |            | DENOTES CP DIMENSIONS. -MINIMUM CP VALUE MUST BE WITHIN THE DIMENSIONAL LIMITATIONS SHOWN ON DRAWING AND INITIALLY LOCATED TO ALLOW FOR MAXIMUM TOOL LIFE              |
| DIMENSION: MM TOLERANCES UNLESS OTHERWISE SPECIFIED<br>ONE PLACE DECIMAL ± 0.5      THREE PLACES DECIMAL ± 0.100<br>TWO PLACES DECIMAL ± 0.20      ANGULAR ± 2° |            |  |
| NAME  | DATE       | <br><b>Expertise Applied   Answers Delivered</b><br><b>TITLE</b><br>DC CONTACTOR, 50 AMP<br>24 VDC   |
| DRAWN DGK   | 11/12/2019 |  |
| CHECKED AH  | 12/11/2019 |  |
| -   | -          |  |
| FORM NO: CVP-PE40-0004 REV A  |            | SIZE B   |
| THIRD ANGLE PROJECTION  |            | DWG. NO. OL-DCNLEV50-CS  |
| DO NOT SCALE DRAWING  |            | SCALE 1:1  |
|   |            | OUTLINE REV. A   |
|   |            | SHEET 1 OF 1   |

ENGINEERING DESIGN DATA

| COIL DATA          |                       |                       |                        |                    |                 | SHORT CIRCUIT        | DIELECTRIC VOLTAGE | ELECTRICAL LIFE       |
|--------------------|-----------------------|-----------------------|------------------------|--------------------|-----------------|----------------------|--------------------|-----------------------|
| COIL VOLTAGE (VDC) | NOMINAL POWER (WATTS) | PICK-UP VOLTAGE (VDC) | DROP-OUT VOLTAGE (VDC) | MAX. VOLTAGE (VDC) | HOLDING CURRENT | MAX, 1/2 CYCLE, 60Hz | (VRMS)             | 50A @ 450VDC (CYCLES) |
| 24                 | 6.0                   | 16                    | 2.4                    | 28                 | 250mA           | 1250 A               | 2,200              | 8,000                 |