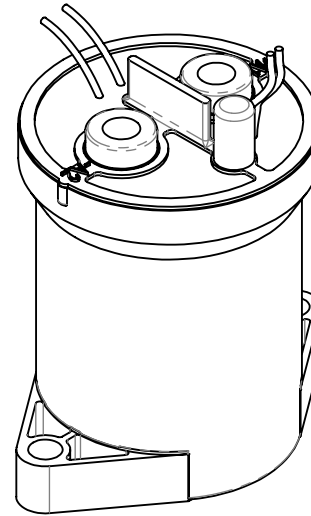
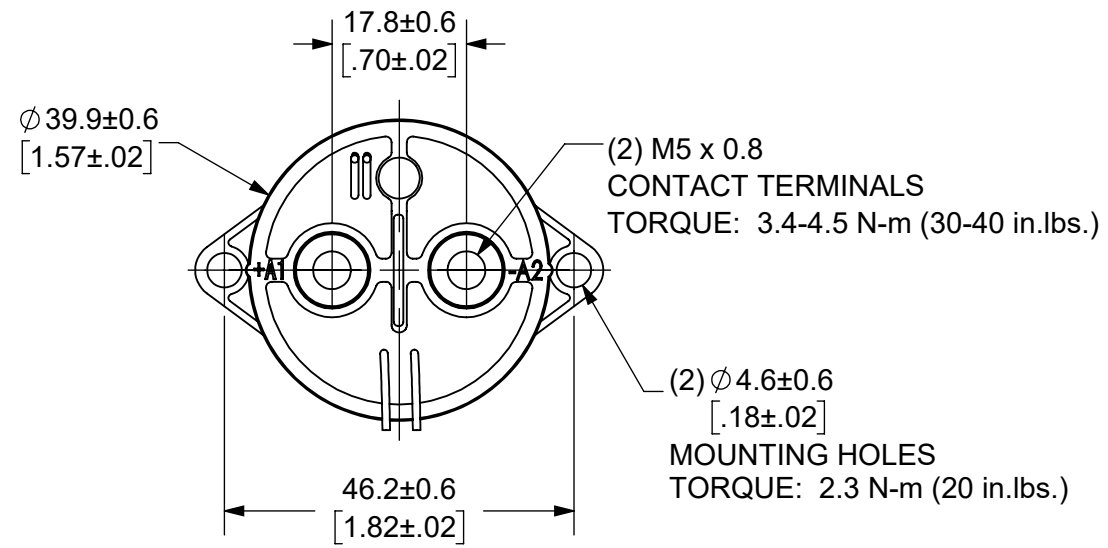


THIS DRAWING AND THE INFORMATION CONTAINED WITHIN IT ARE CONFIDENTIAL AND MAY NOT BE COPIED OR DISCLOSED WITHOUT THE WRITTEN PERMISSION OF LITTELFUSE.

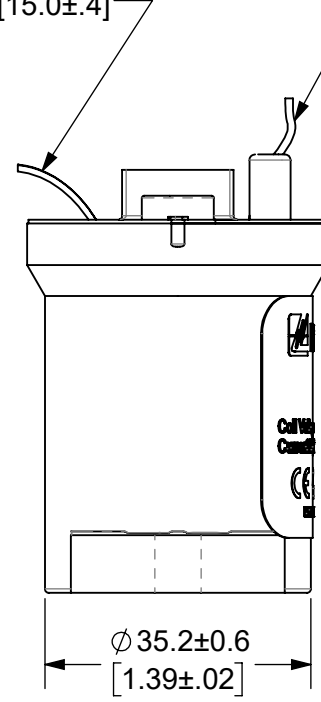
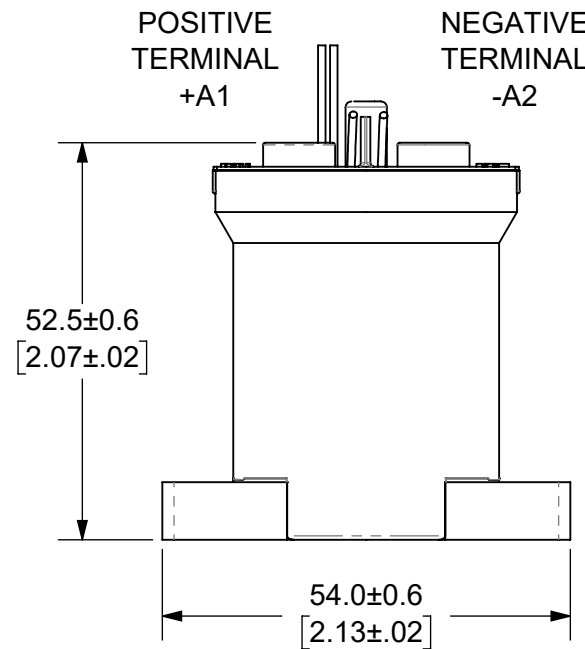
REVISIONS

ZONE	REV.	DESCRIPTION	DATE	APPROVED
	A	INITIAL RELEASE. GCF 500000021765	12/10/2019	DGK

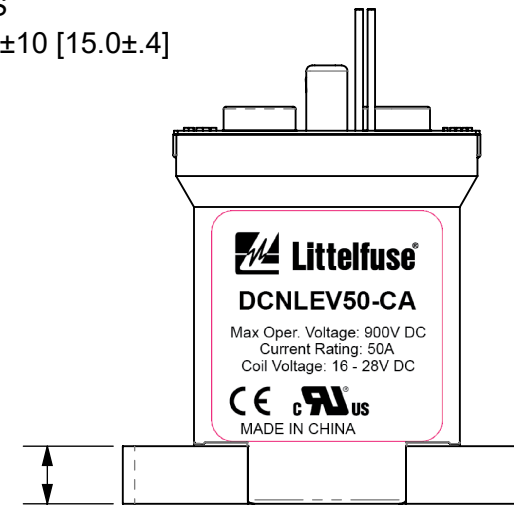


COIL WIRES, WHITE
LENGTH: 380 ± 10 [$15.0 \pm .4$]

AUXILIARY CONTACT, SPST-NO
BLACK WIRES
LENGTH: 380 ± 10 [$15.0 \pm .4$]



7.6 ± 0.3
 $[.30 \pm .01]$



NOTES: UNLESS OTHERWISE SPECIFIED

- CONTACT ARRANGEMENT: SPST-NO
- CONTINUOUS CURRENT RATING: 50 AMPS
- CONTACT VOLTAGE RATING: 12 - 900 VDC
- CONTACT TERMINALS POLARIZED
- HARDWARE: NONE
- WEIGHT: 190 GRAMS (6.7 OZ.)
- CERTIFICATIONS:



UL RECOGNIZED FOR CANADA AND THE UNITED STATES.

EUROPEAN ECONOMIC AREA RECOGNIZED.

- RoHS COMPLIANT
- AUXILIARY CONTACT RATING, SPST-NO:
2A @ 30VDC
3A @ 125VDC

INTERPRET DRAWING TO ANSI/ASME Y14.5-1994.	
●	FIT/ FUNCTION CRITICAL CHARACTERISTICS SYMBOL
<S>	SAFETY/ COMPLIANCE CRITICAL CHARACTERISTICS SYMBOL
CPK	DENOTES CPK DIMENSIONS MINIMUM CPK VALUE
ST	DENOTES A CHARACTERISTIC THAT PROVIDES AN INDICATION OF PROCESS PERFORMANCE PROCEDURE FOR MEASUREMENT AND TRACKING TO BE DEFINED IN LITTELFUSE INSPECTION INSTRUCTIONS
CP	DENOTES CP DIMENSIONS, -MINIMUM CP VALUE MUST BE WITHIN THE DIMENSIONAL LIMITATIONS SHOWN ON DRAWING AND INITIALLY LOCATED TO ALLOW FOR MAXIMUM TOOL LIFE
DIMENSION: MM TOLERANCES UNLESS OTHERWISE SPECIFIED ONE PLACE DECIMAL ± 0.5 THREE PLACES DECIMAL ± 0.100 TWO PLACES DECIMAL ± 0.20 ANGULAR $\pm 2^\circ$	
NAME	DATE
DRAWN DGK	11/12/2019
CHECKED AH	12/11/2019
 Expertise Applied Answers Delivered	
FORM NO: CVP-PE40-0004 REV A	
THIRD ANGLE PROJECTION	
SIZE B	DWG. NO. OL-DCNLEV50-CA
DO NOT SCALE DRAWING	SCALE 1:1
SHEET 1 OF 1	

ENGINEERING DESIGN DATA

COIL DATA						SHORT CIRCUIT	DIELECTRIC VOLTAGE	ELECTRICAL LIFE
COIL VOLTAGE (VDC)	NOMINAL POWER (WATTS)	PICK-UP VOLTAGE (VDC)	DROP-OUT VOLTAGE (VDC)	MAX. VOLTAGE (VDC)	HOLDING CURRENT	MAX, 1/2 CYCLE, 60Hz	(VRMS)	50A @ 450VDC (CYCLES)
24	6.0	16	2.4	28	250mA	1250 A	2,200	8,000