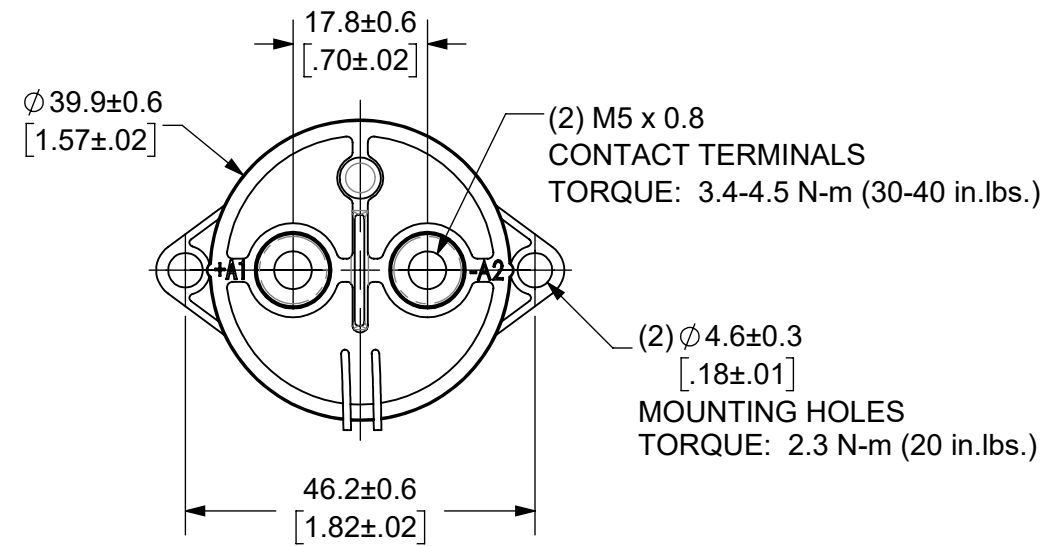


THIS DRAWING AND THE INFORMATION CONTAINED WITHIN IT ARE CONFIDENTIAL AND MAY NOT BE COPIED OR DISCLOSED WITHOUT THE WRITTEN PERMISSION OF LITTELFUSE.

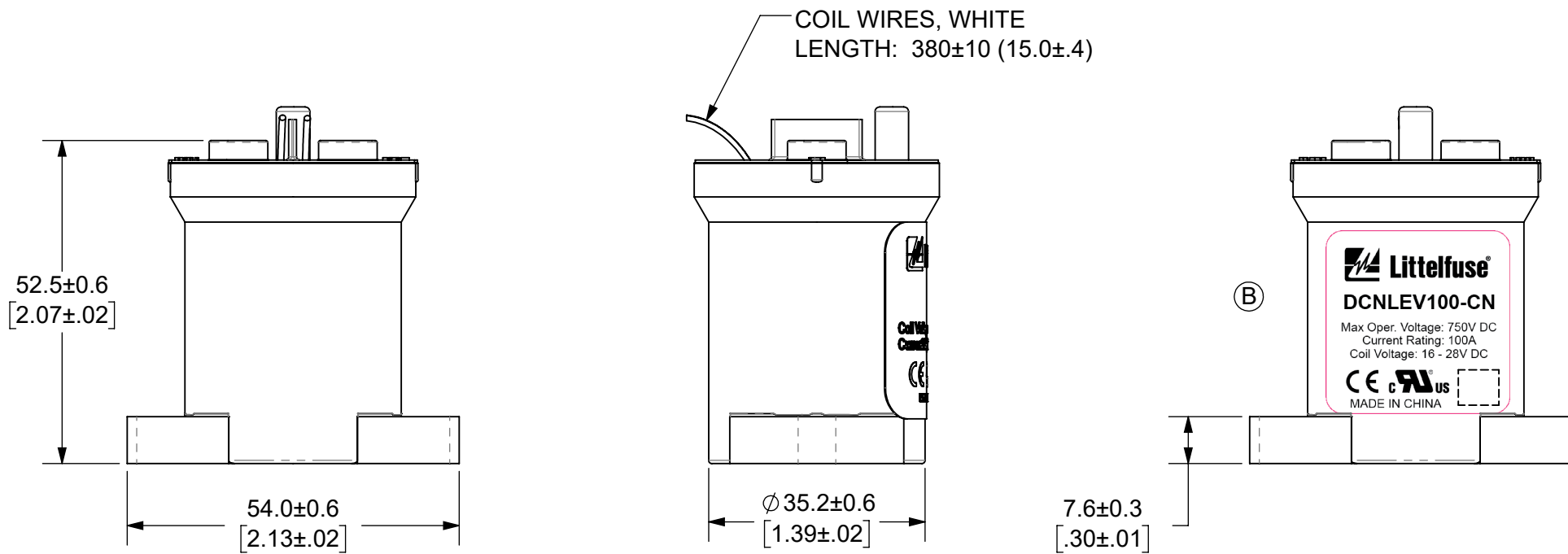
REVISIONS

ZONE	REV.	DESCRIPTION	DATE	APPROVED
	A	INITIAL RELEASE. GCF 500000021764	12/16/2019	DGK
C4, D3	B	UPDATED LABEL AND NOTE 7. ECR 522500	7/28/2020	DGK



- NOTES: UNLESS OTHERWISE SPECIFIED
- CONTACT ARRANGEMENT: SPST-NO
  - CONTINUOUS CURRENT RATING: 100 AMPS
  - CONTACT VOLTAGE RATING: 12 - 750 VDC
  - CONTACT TERMINALS NON-POLARIZED
  - HARDWARE: NONE
  - WEIGHT: 190 GRAMS (6.7 OZ.)
  - CERTIFICATIONS:
    - 
    - UL RECOGNIZED FOR CANADA AND THE UNITED STATES.
    - EUROPEAN ECONOMIC AREA RECOGNIZED.
  - RoHS COMPLIANT

(B)



ENGINEERING DESIGN DATA

COIL DATA						SHORT CIRCUIT	DIELECTRIC VOLTAGE	ELECTRICAL LIFE
COIL VOLTAGE (VDC)	NOMINAL POWER (WATTS)	PICK-UP VOLTAGE (VDC)	DROP-OUT VOLTAGE (VDC)	MAX. VOLTAGE (VDC)	HOLDING CURRENT	MAX, 1/2 CYCLE, 60Hz	(VRMS)	100A @ 450VDC (CYCLES)
24	6.0	16	2.4	28	250mA	1250 A	2,200	10,000

INTERPRET DRAWING TO ANSI/ASME Y14.5-1994.

	FIT/ FUNCTION CRITICAL CHARACTERISTICS SYMBOL
<S>	SAFETY/ COMPLIANCE CRITICAL CHARACTERISTICS SYMBOL
CPK	DENOTES CPK DIMENSIONS MINIMUM CPK VALUE
	DENOTES A CHARACTERISTIC THAT PROVIDES AN INDICATION OF PROCESS PERFORMANCE PROCEDURE FOR MEASUREMENT AND TRACKING TO BE DEFINED IN LITTELFUSE INSPECTION INSTRUCTIONS
CP	DENOTES CP DIMENSIONS, -MINIMUM CP VALUE MUST BE WITHIN THE DIMENSIONAL LIMITATIONS SHOWN ON DRAWING AND INITIALLY LOCATED TO ALLOW FOR MAXIMUM TOOL LIFE

DIMENSION: MM TOLERANCES UNLESS OTHERWISE SPECIFIED  
 ONE PLACE DECIMAL  $\pm 0.5$       THREE PLACES DECIMAL  $\pm 0.100$   
 TWO PLACES DECIMAL  $\pm 0.20$       ANGULAR  $\pm 2^\circ$

NAME	DATE
DRAWN DGK	11/19/2019
CHECKED AH	12/13/2019
-	-
-	-

**Littelfuse**  
Expertise Applied | Answers Delivered

FORM NO: CVP-PE40-0004 REV A

THIRD ANGLE PROJECTION

DO NOT SCALE DRAWING

**TITLE**  
 DC CONTACTOR, 100 AMP  
 24 VDC, NON-POLAR TERMINALS

SIZE	DWG. NO.	OUTLINE	REV.
B	OL-DCNLEV100-CN	B	B

SCALE 1:1      SHEET 1 OF 1