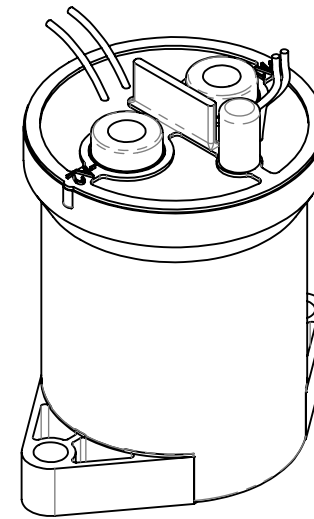
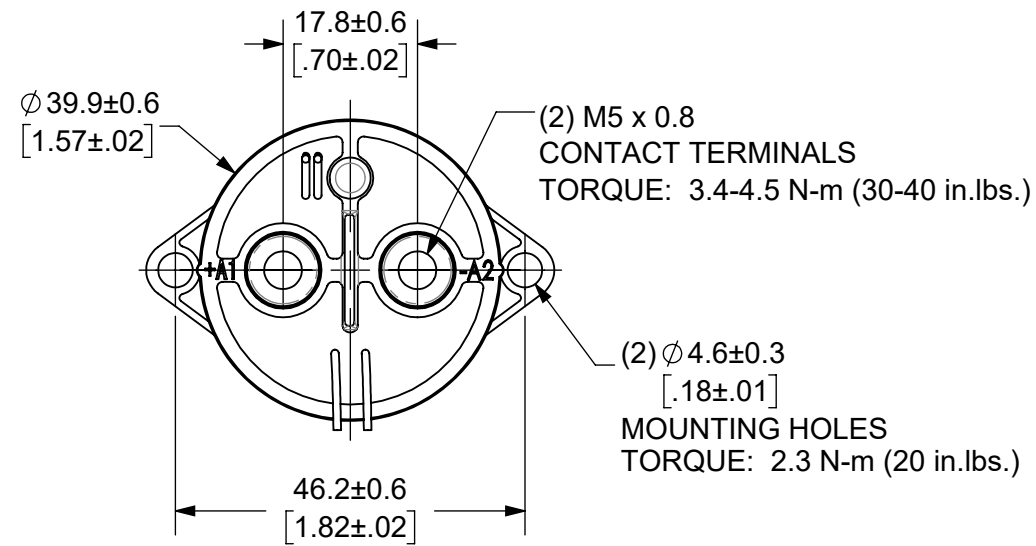


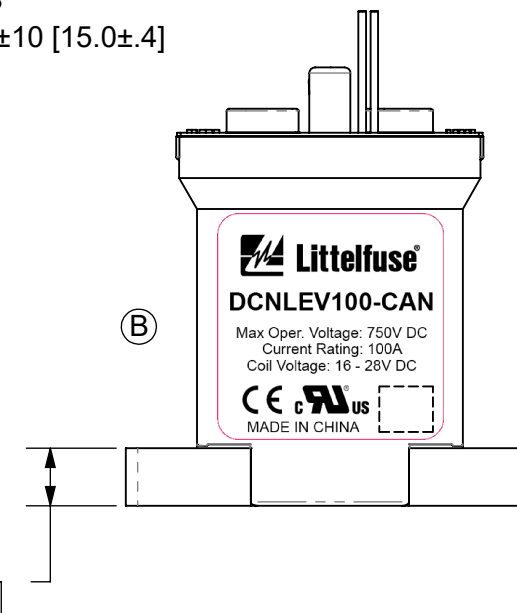
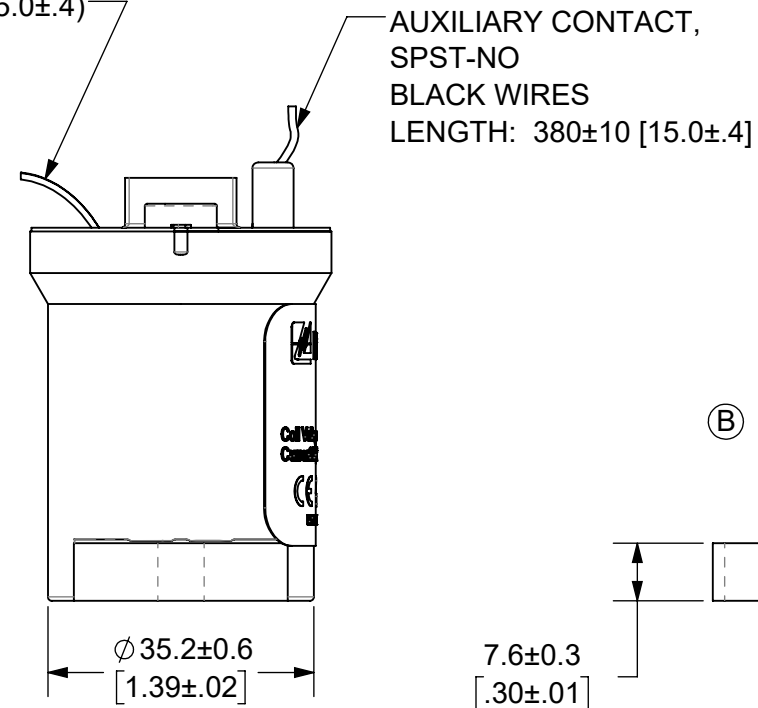
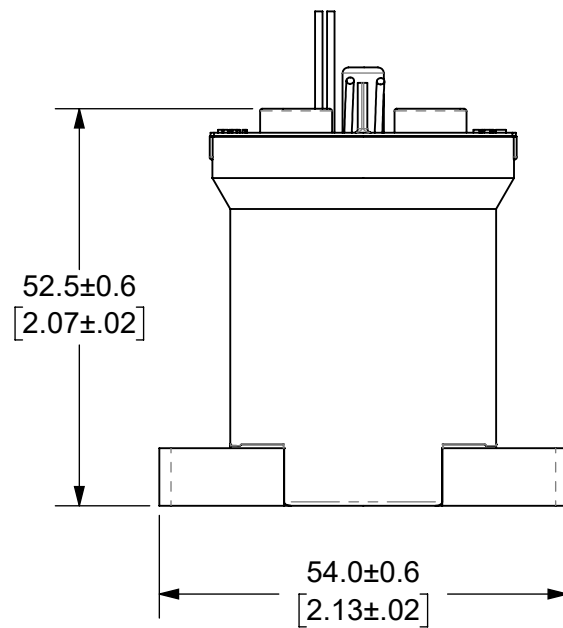
THIS DRAWING AND THE INFORMATION CONTAINED WITHIN IT ARE CONFIDENTIAL AND MAY NOT BE COPIED OR DISCLOSED WITHOUT THE WRITTEN PERMISSION OF LITTELFUSE.

REVISIONS

ZONE	REV.	DESCRIPTION	DATE	APPROVED
	A	INITIAL RELEASE. GCF 500000021764	12/16/2019	DGK
C4, D3	B	UPDATED LABEL AND NOTE 7. ECN 522500	7/28/2020	DGK



COIL WIRES, WHITE  
 LENGTH:  $380 \pm 10$  ( $15.0 \pm .4$ )  
 AUXILIARY CONTACT, SPST-NO  
 BLACK WIRES  
 LENGTH:  $380 \pm 10$  [ $15.0 \pm .4$ ]



- NOTES: UNLESS OTHERWISE SPECIFIED
- CONTACT ARRANGEMENT: SPST-NO
  - CONTINUOUS CURRENT RATING: 100 AMPS
  - CONTACT VOLTAGE RATING: 12 - 750 VDC
  - CONTACT TERMINALS NON-POLARIZED
  - HARDWARE: NONE
  - WEIGHT: 190 GRAMS (6.7 OZ.)
  - CERTIFICATIONS:
    - cULus CE
    - UL RECOGNIZED FOR CANADA AND THE UNITED STATES.
    - EUROPEAN ECONOMIC AREA RECOGNIZED.
  - RoHS COMPLIANT
  - AUXILIARY CONTACT RATING, SPST-NO:
    - 2A @ 30VDC
    - 3A @ 125VDC

●		FIT/ FUNCTION CRITICAL CHARACTERISTICS SYMBOL
<S>		SAFETY/ COMPLIANCE CRITICAL CHARACTERISTICS SYMBOL
CPK		DENOTES CPK DIMENSIONS MINIMUM CPK VALUE
ST		DENOTES A CHARACTERISTIC THAT PROVIDES AN INDICATION OF PROCESS PERFORMANCE PROCEDURE FOR MEASUREMENT AND TRACKING TO BE DEFINED IN LITTELFUSE INSPECTION INSTRUCTIONS
CP		DENOTES CP DIMENSIONS, -MINIMUM CP VALUE MUST BE WITHIN THE DIMENSIONAL LIMITATIONS SHOWN ON DRAWING AND INITIALLY LOCATED TO ALLOW FOR MAXIMUM TOOL LIFE
DIMENSION: MM TOLERANCES UNLESS OTHERWISE SPECIFIED ONE PLACE DECIMAL $\pm 0.5$ THREE PLACES DECIMAL $\pm 0.100$ TWO PLACES DECIMAL $\pm 0.20$ ANGULAR $\pm 2^\circ$		
NAME	DATE	 <b>Expertise Applied   Answers Delivered</b> <b>TITLE</b> <b>DC CONTACTOR, 100 AMP</b> <b>AUX. CONTACT, NON-POLAR</b>
DRAWN DGK	11/19/2019	
CHECKED AH	12/13/2019	
-	-	
FORM NO: CVP-PE40-0004 REV A		SIZE B DWG. NO. OL-DCNLEV100-CAN OUTLINE REV. B
THIRD ANGLE PROJECTION		SCALE 1:1 SHEET 1 OF 1
DO NOT SCALE DRAWING		

ENGINEERING DESIGN DATA

COIL DATA						SHORT CIRCUIT	DIELECTRIC VOLTAGE	ELECTRICAL LIFE
COIL VOLTAGE (VDC)	NOMINAL POWER (WATTS)	PICK-UP VOLTAGE (VDC)	DROP-OUT VOLTAGE (VDC)	MAX. VOLTAGE (VDC)	HOLDING CURRENT	MAX, 1/2 CYCLE, 60Hz	(VRMS)	100A @ 450VDC (CYCLES)
24	6.0	16	2.4	28	250mA	1250 A	2,200	10,000