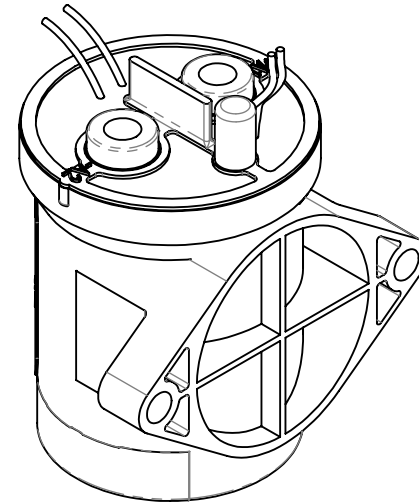
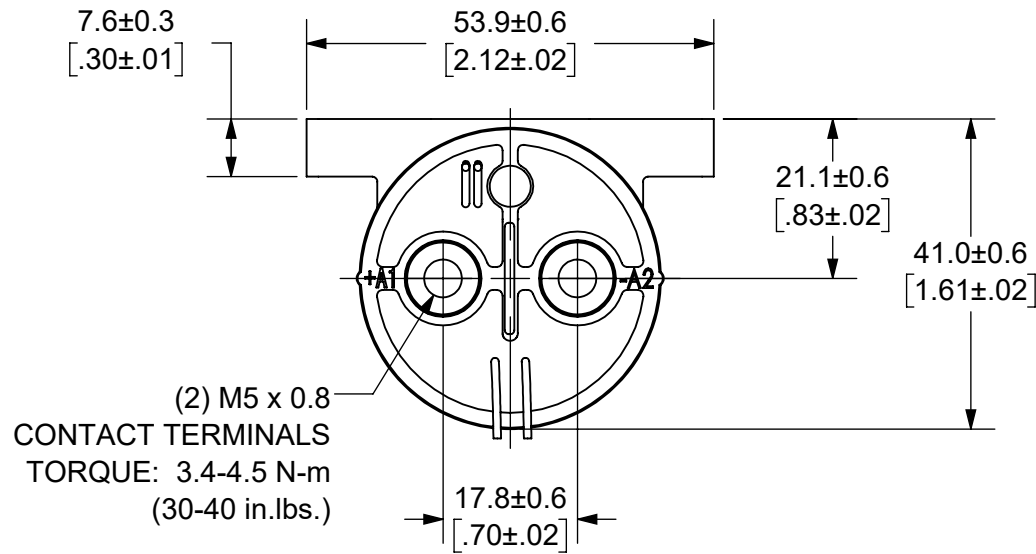


THIS DRAWING AND THE INFORMATION CONTAINED WITHIN IT ARE CONFIDENTIAL AND MAY NOT BE COPIED OR DISCLOSED WITHOUT THE WRITTEN PERMISSION OF LITTELFUSE.

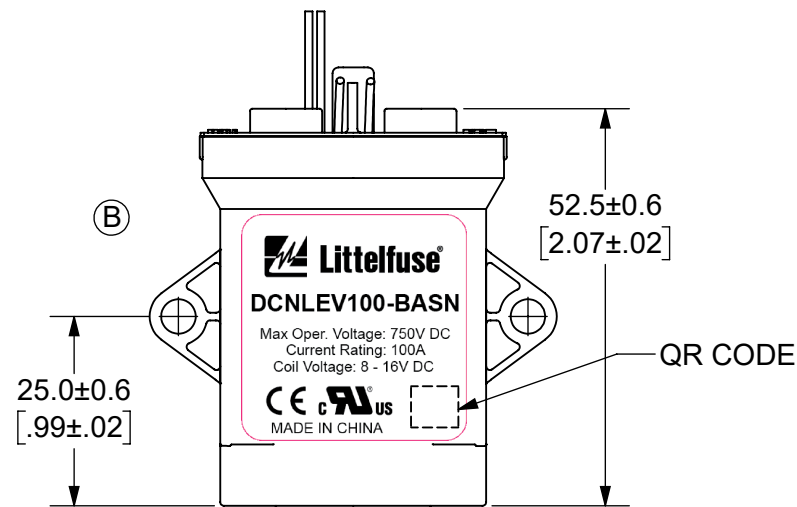
REVISIONS

| ZONE | REV. | DESCRIPTION | DATE | APPROVED |
|--------|------|-------------------------------------|------------|----------|
| | A | INITIAL RELEASE. GCF 500000021764 | 12/16/2019 | DGK |
| C8, D3 | B | UPDATE LABEL AND NOTE 7. ECN 522500 | 7/27/2020 | DGK |

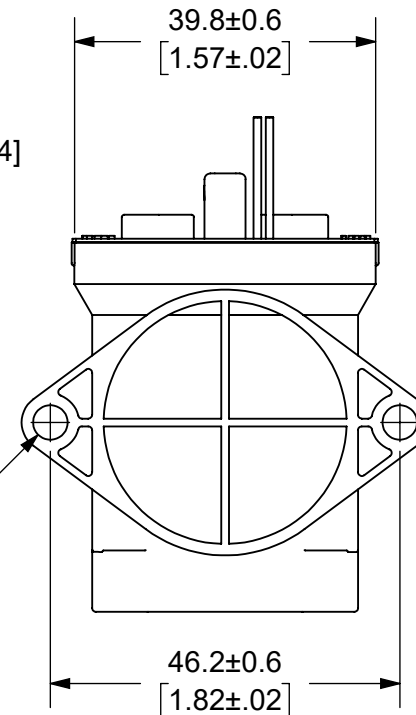


COIL WIRES, WHITE
LENGTH: 380±10 [15.0±.4]

AUXILIARY CONTACT,
SPST-NO
BLACK WIRES
LENGTH: 380±10 [15.0±.4]



(2) $\phi 4.6 \pm 0.3$ [.18±.01]
MOUNTING HOLES
TORQUE: 2.3 N-m
(20 in.-lbs.)



- NOTES: UNLESS OTHERWISE SPECIFIED
- CONTACT ARRANGEMENT: SPST-NO
 - CONTINUOUS CURRENT RATING: 100 AMPS
 - CONTACT VOLTAGE RATING: 12 - 750 VDC
 - CONTACT TERMINALS NON-POLARIZED
 - HARDWARE: NONE
 - WEIGHT: 190 GRAMS (6.7 OZ.)
 - CERTIFICATIONS:
 -
 - UL RECOGNIZED FOR CANADA AND THE UNITED STATES.
 - EUROPEAN ECONOMIC AREA RECOGNIZED.
 - RoHS COMPLIANT
 - AUXILIARY CONTACT RATING, SPST-NO:
 - 2A @ 30VDC
 - 3A @ 125VDC

| NAME | | DATE | Expertise Applied Answers Delivered |
|------------------------------|-------------------|------------|---|
| DRAWN | DGK | 11/18/2019 | |
| CHECKED | AH | 12/13/2019 | |
| FORM NO: CVP-PE40-0004 REV A | | | TITLE DC CONTACTOR, 100 AMP 12 VDC, AUX. CONTACT |
| THIRD ANGLE PROJECTION | | | |
| SIZE | DWG. NO. | OUTLINE | REV. |
| B | OL-DCNLEV100-BASN | B | B |
| DO NOT SCALE DRAWING | | | SCALE 1:1 |
| | | | SHEET 1 OF 1 |

ENGINEERING DESIGN DATA

| COIL DATA | | | | | | SHORT CIRCUIT | DIELECTRIC VOLTAGE | ELECTRICAL LIFE |
|--------------------|-----------------------|-----------------------|------------------------|--------------------|-----------------|----------------------|--------------------|------------------------|
| COIL VOLTAGE (VDC) | NOMINAL POWER (WATTS) | PICK-UP VOLTAGE (VDC) | DROP-OUT VOLTAGE (VDC) | MAX. VOLTAGE (VDC) | HOLDING CURRENT | MAX, 1/2 CYCLE, 60Hz | (VRMS) | 100A @ 450VDC (CYCLES) |
| 12 | 5.5 | 8 | 1.2 | 16 | 461mA | 1250 A | 2,200 | 10,000 |