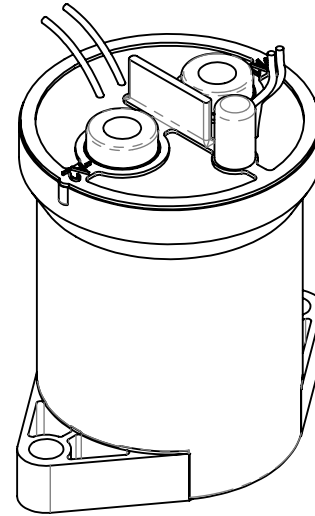
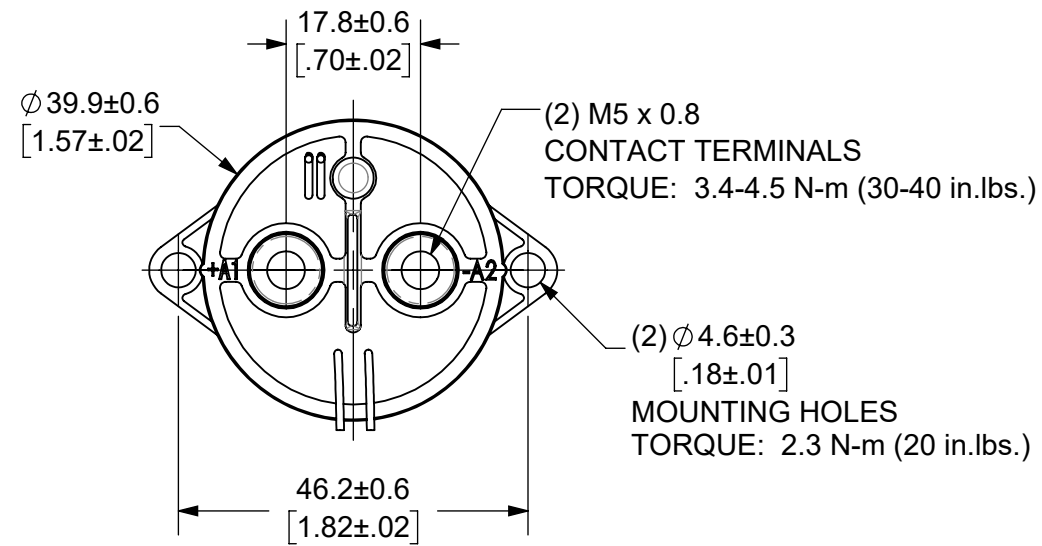


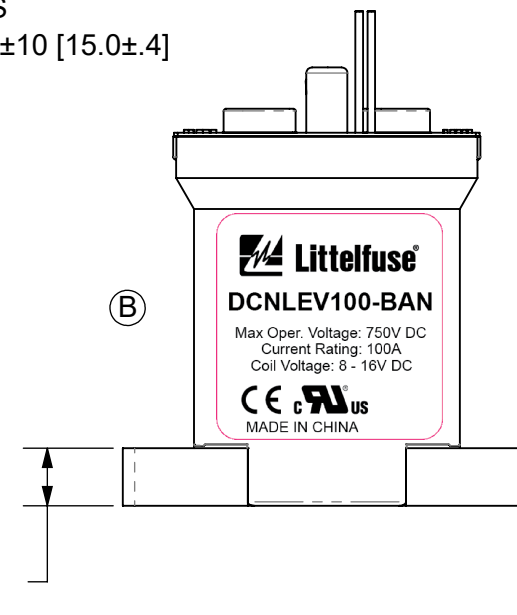
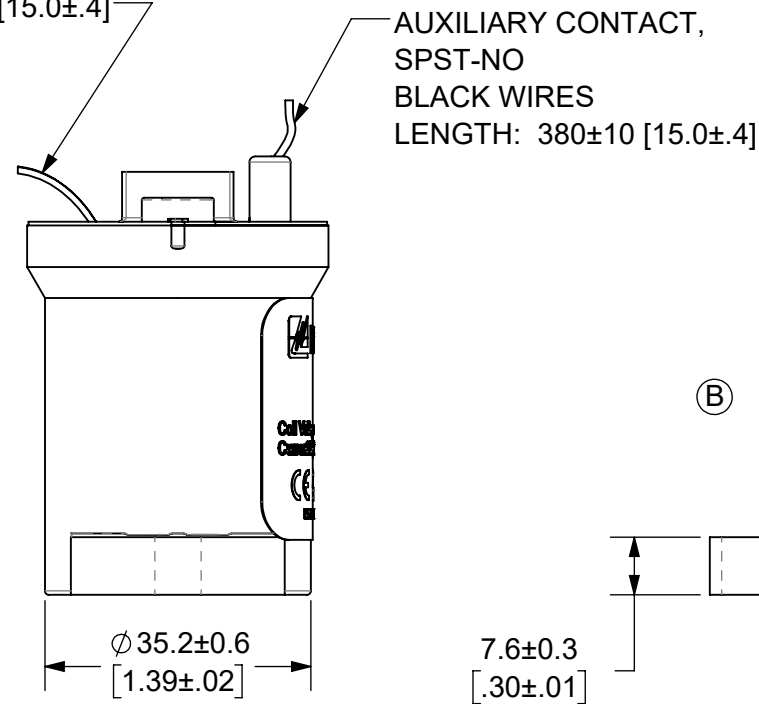
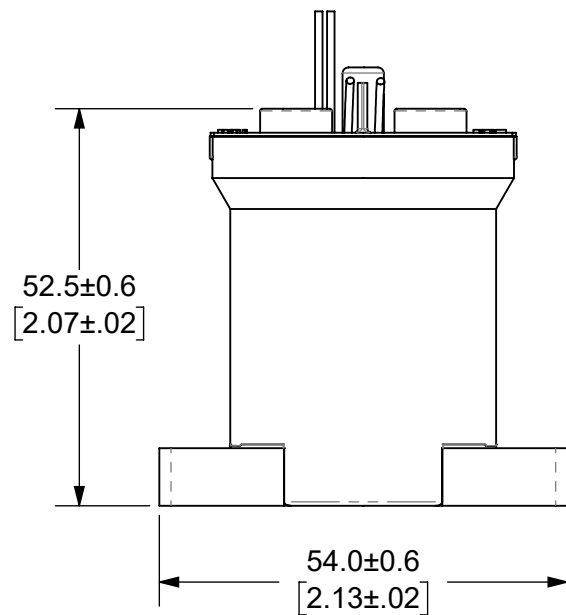
THIS DRAWING AND THE INFORMATION CONTAINED WITHIN IT ARE CONFIDENTIAL AND MAY NOT BE COPIED OR DISCLOSED WITHOUT THE WRITTEN PERMISSION OF LITTELFUSE.

REVISIONS

ZONE	REV.	DESCRIPTION	DATE	APPROVED
	A	INITIAL RELEASE. GCF 500000021764	12/16/2019	DGK
C4, D3	B	UPDATE LABEL AND NOTE 7. ECR522500	7/27/2020	DGK



COIL WIRES, WHITE  
 LENGTH: 380 ± 10 [15.0 ± 4]  
 AUXILIARY CONTACT, SPST-NO  
 BLACK WIRES  
 LENGTH: 380 ± 10 [15.0 ± 4]



- NOTES: UNLESS OTHERWISE SPECIFIED
- CONTACT ARRANGEMENT: SPST-NO
  - CONTINUOUS CURRENT RATING: 100 AMPS
  - CONTACT VOLTAGE RATING: 12 - 750 VDC
  - CONTACT TERMINALS NON-POLARIZED
  - HARDWARE: NONE
  - WEIGHT: 190 GRAMS (6.7 OZ.)
  - CERTIFICATIONS:
    - UL RECOGNIZED FOR CANADA AND THE UNITED STATES.
    - EUROPEAN ECONOMIC AREA RECOGNIZED.
  - RoHS COMPLIANT
  - AUXILIARY CONTACT RATING, SPST-NO:
    - 2A @ 30VDC
    - 3A @ 125VDC

●		FIT/ FUNCTION CRITICAL CHARACTERISTICS SYMBOL
<S>		SAFETY/ COMPLIANCE CRITICAL CHARACTERISTICS SYMBOL
CPK		DENOTES CPK DIMENSIONS MINIMUM CPK VALUE
ST		DENOTES A CHARACTERISTIC THAT PROVIDES AN INDICATION OF PROCESS PERFORMANCE PROCEDURE FOR MEASUREMENT AND TRACKING TO BE DEFINED IN LITTELFUSE INSPECTION INSTRUCTIONS
CP		DENOTES CP DIMENSIONS. -MINIMUM CP VALUE MUST BE WITHIN THE DIMENSIONAL LIMITATIONS SHOWN ON DRAWING AND INITIALLY LOCATED TO ALLOW FOR MAXIMUM TOOL LIFE
DIMENSION: MM TOLERANCES UNLESS OTHERWISE SPECIFIED ONE PLACE DECIMAL ± 0.5      THREE PLACES DECIMAL ± 0.100 TWO PLACES DECIMAL ± 0.20      ANGULAR ± 2°		
NAME	DATE	 <b>Expertise Applied   Answers Delivered</b> <b>TITLE</b> DC CONTACTOR, 100 AMP AUX. CONTACT, NON-POLAR
DRAWN DGK	11/18/2019	
CHECKED AH	12/13/2019	
-	-	
FORM NO: CVP-PE40-0004 REV A		SIZE B
THIRD ANGLE PROJECTION		DWG. NO. OL-DCNLEV100-BAN
DO NOT SCALE DRAWING		SCALE 1:1
		OUTLINE REV. B
		SHEET 1 OF 1

ENGINEERING DESIGN DATA

COIL DATA						SHORT CIRCUIT	DIELECTRIC VOLTAGE	ELECTRICAL LIFE
COIL VOLTAGE (VDC)	NOMINAL POWER (WATTS)	PICK-UP VOLTAGE (VDC)	DROP-OUT VOLTAGE (VDC)	MAX. VOLTAGE (VDC)	HOLDING CURRENT	MAX, 1/2 CYCLE, 60Hz	(VRMS)	100A @ 450VDC (CYCLES)
12	5.5	8	1.2	16	461mA	1250 A	2,200	10,000